



US00D347769S

United States Patent [19]

[11] Patent Number: Des. 347,769

Kibbe

[45] Date of Patent: ** Jun. 14, 1994

[54] COMBINED REVOLVING SPICE RACK AND SPICE GRINDER CONTAINERS

[75] Inventor: Marcus W. Kibbe, San Marcos, Calif.

[73] Assignee: Dudley Kebow, Inc., Ocean Side, Calif.

[**] Term: 14 Years

[21] Appl. No.: 854,447

[22] Filed: Mar. 19, 1992

[52] U.S. Cl. D7/701; D7/590

[58] Field of Search D7/616-618, D7/590-597; 211/74, 77, 78

[56] References Cited

U.S. PATENT DOCUMENTS

- D. 118,236 12/1939 Hersey D7/591
- D. 157,446 2/1950 Smith et al. D7/592
- D. 239,244 3/1976 Lubge D7/590
- D. 303,899 10/1989 Ancona et al. D7/616
- D. 327,820 7/1992 Ancona et al. D7/616 X

OTHER PUBLICATIONS

Kamenstein, Revolving Spice Rack/16 Filled Jars, photocopy of side of box.

Primary Examiner—Terry A. Wallace
Attorney, Agent, or Firm—Kinney & Lange

[57] CLAIM

The ornamental design for a combined revolving spice rack and spice grinder containers, as shown and described.

DESCRIPTION

FIG. 1 is a view in perspective of a combined revolving spice rack and spice grinder containers showing my new design;

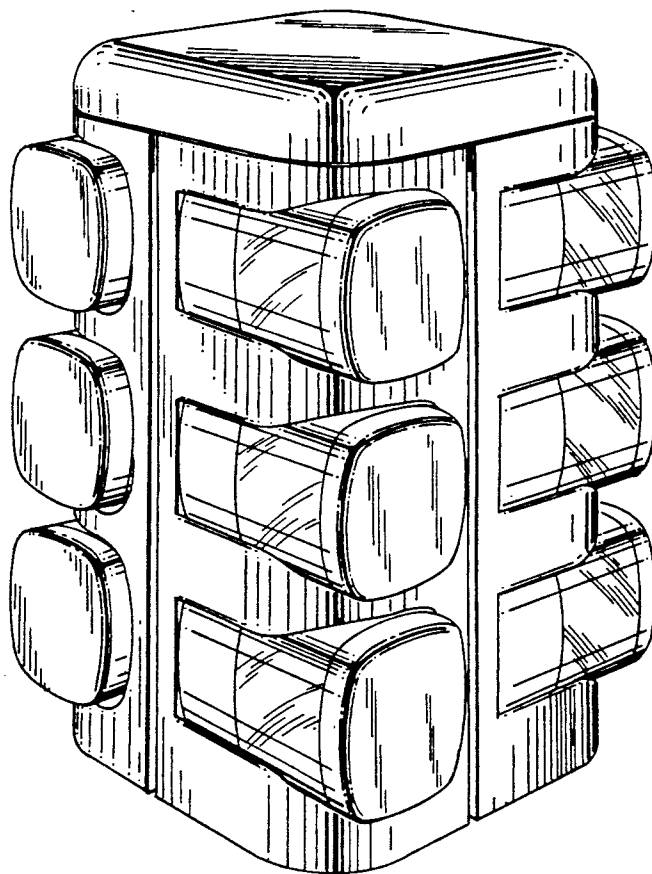
FIG. 2 is a side elevational view thereof;

FIG. 3 is a top plan view thereof;

FIG. 4 is a bottom plan view thereof;

FIG. 5 is a top, front, right side perspective view of an alternative embodiment of FIG. 1, the rear and left side views being mirror images of those shown and the bottom view being similar to FIG. 4; and,

FIG. 6 is a perspective view similar to FIG. 1 with the spice grinder containers removed for clarity of illustration.



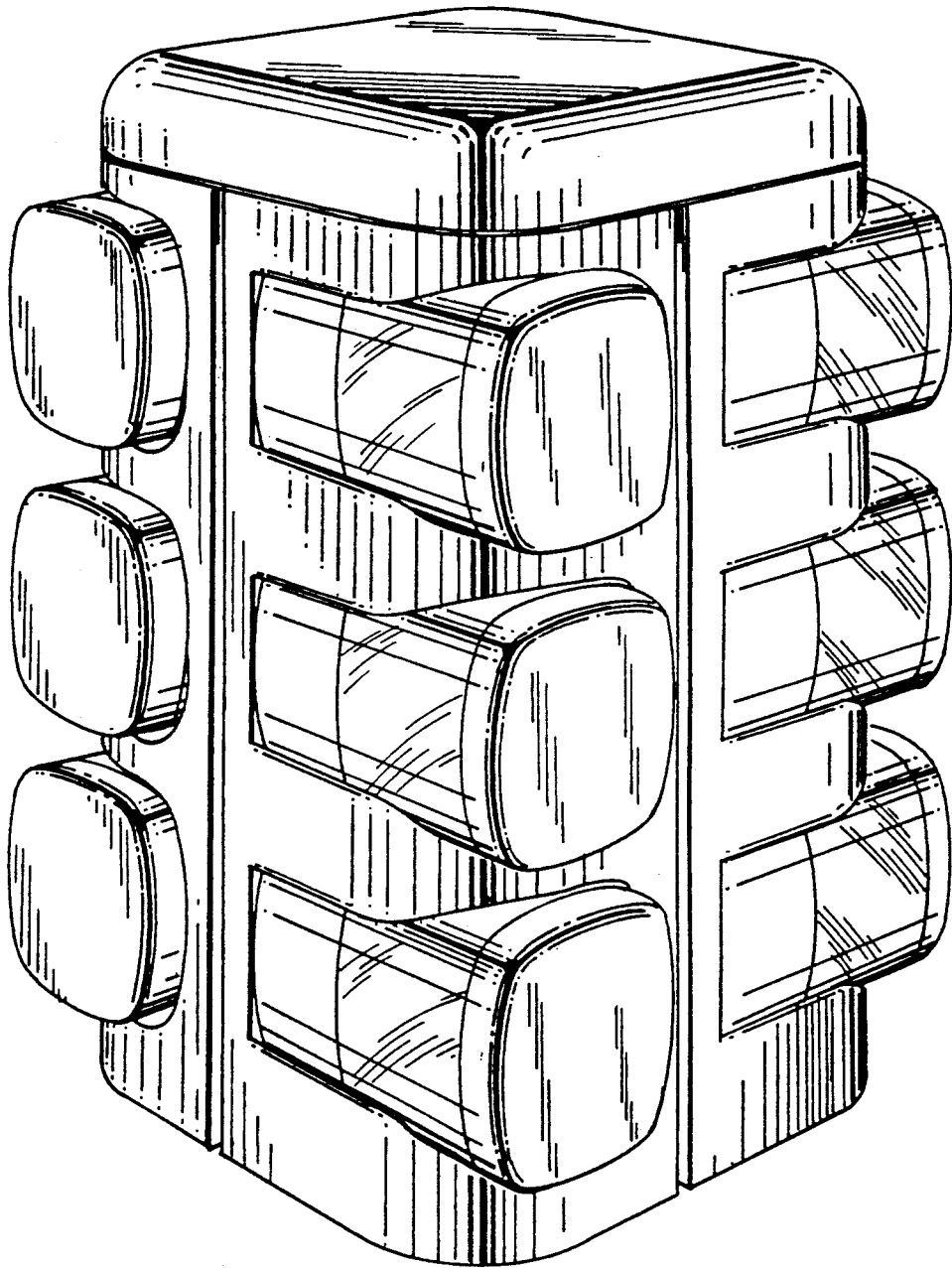


Fig. 1

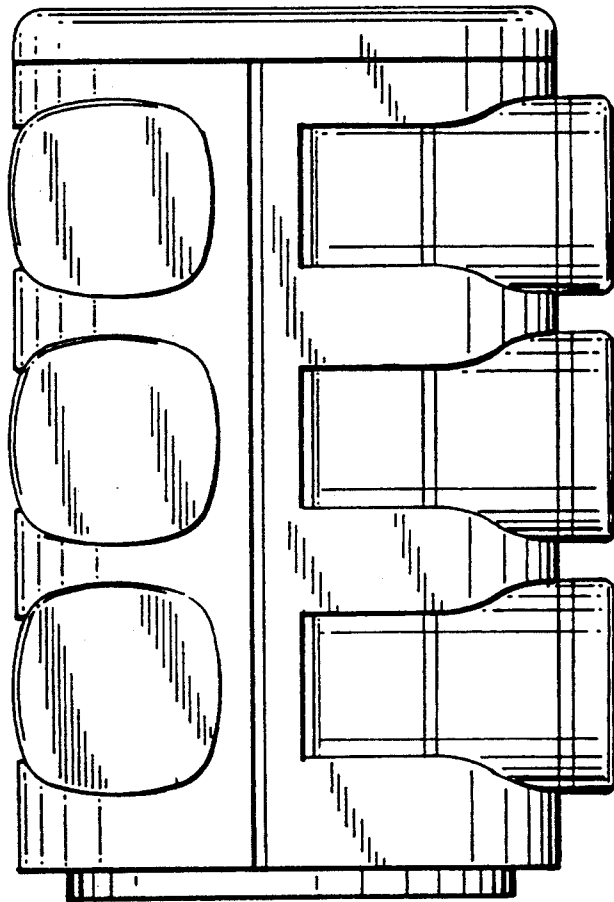


Fig. 2

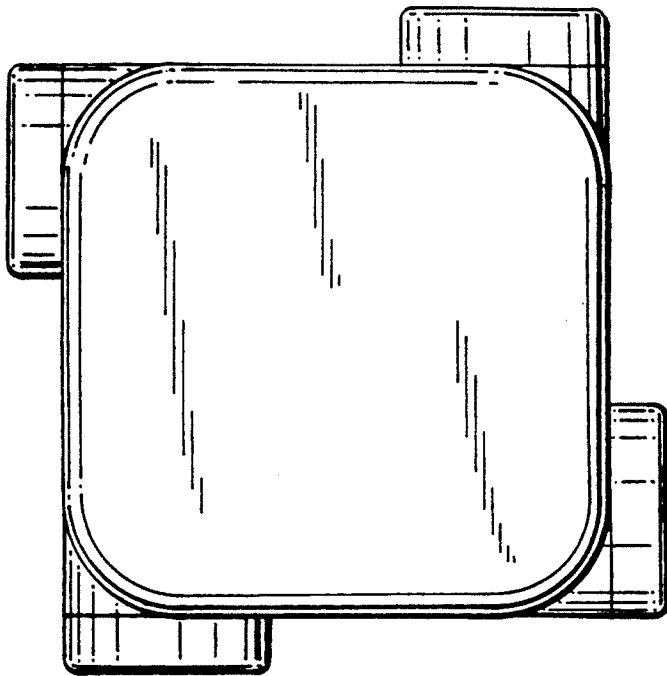


Fig. 3

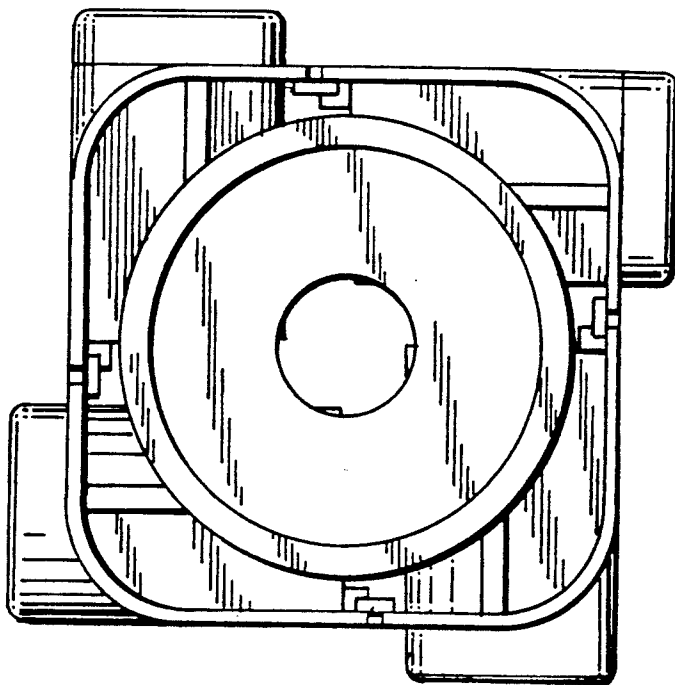


Fig. 4

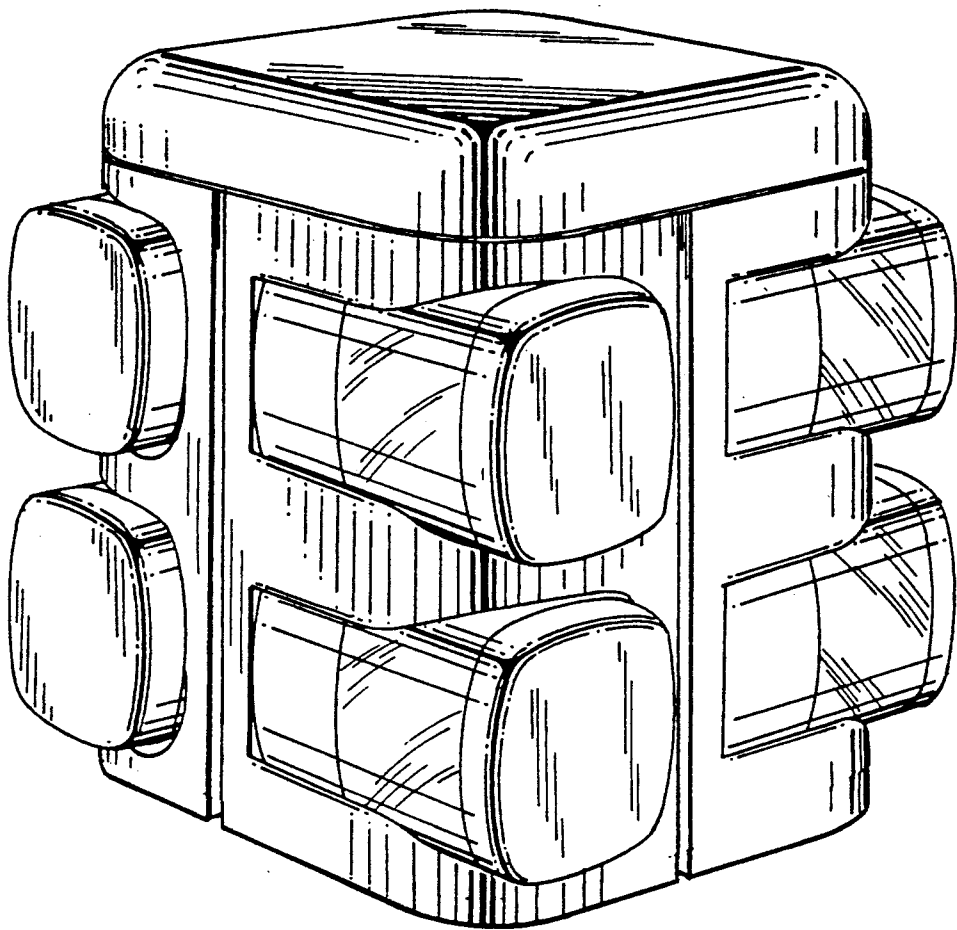


Fig. 5

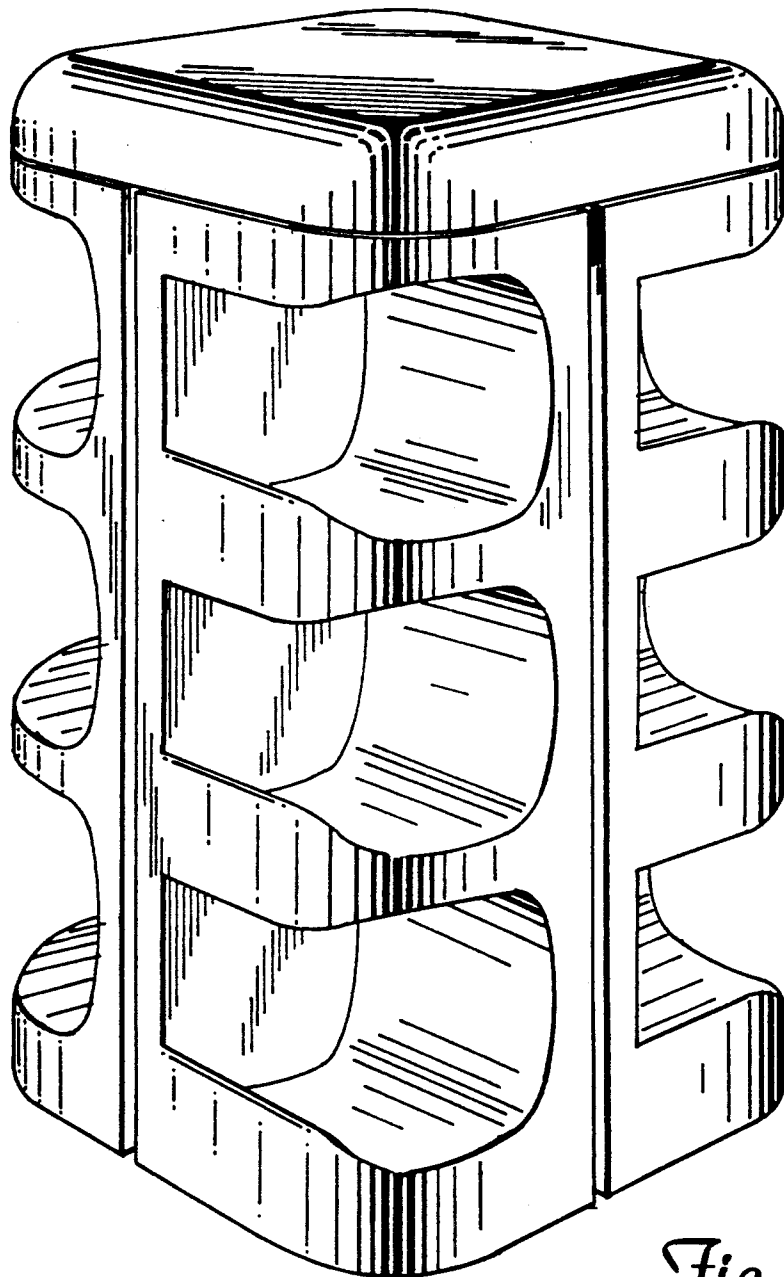


Fig. 6

UNITED STATES PATENT AND TRADEMARK OFFICE
CERTIFICATE OF CORRECTION

PATENT NO. : **D347,769**
DATED **June 14, 1994**
INVENTOR(S) **MARCUS W. KIBBE**

It is certified that error appears in the above-identified patent and that said Letters Patent is hereby corrected as shown below:

On title page, under "DESCRIPTION" delete description of Fig. 1, insert
-- **FIG. 1 is a top, front, right side perspective view of a combined revolving
spice rack and spice grinder containers showing my design;--**

Signed and Sealed this
Eighteenth Day of October, 1994

Attest:



BRUCE LEHMAN

Attesting Officer

Commissioner of Patents and Trademarks