



US00D814583S

(12) **United States Design Patent**  
**Stokke et al.**

(10) **Patent No.:** **US D814,583 S**  
(45) **Date of Patent:** **\*\* Apr. 3, 2018**

- (54) **GOLF CLUB HEAD**
- (71) Applicant: **KARSTEN MANUFACTURING CORPORATION**, Phoenix, AZ (US)
- (72) Inventors: **Ryan M. Stokke**, Anthem, AZ (US);  
**Xiaojian Chen**, Phoenix, AZ (US);  
**David A. Higdon**, Phoenix, AZ (US)
- (73) Assignee: **Karsten Manufacturing Corporation**, Phoenix, AZ (US)
- (\*\*) Term: **15 Years**
- (21) Appl. No.: **29/580,293**
- (22) Filed: **Oct. 7, 2016**
- (51) **LOC (11) Cl.** ..... **21-02**
- (52) **U.S. Cl.**  
USPC ..... **D21/752**
- (58) **Field of Classification Search**  
USPC ..... D21/733, 752, 759  
CPC ..... A63B 53/00; A63B 53/04; A63B 53/0466;  
A63B 2053/002; A63B 2053/0445; A63B  
2053/0433; A63B 2053/0491; A63B  
2053/0437  
See application file for complete search history.

D564,054 S	3/2008	Jertson
D564,055 S	3/2008	Jertson
D564,056 S	3/2008	Chen
D566,214 S	4/2008	Evans
D567,317 S	4/2008	Jertson
D567,891 S	4/2008	Serrano
D569,933 S	5/2008	Jertson
D569,934 S	5/2008	Jertson
D569,935 S	5/2008	Schweigert
D569,936 S	5/2008	Schweigert
D569,937 S	5/2008	Sanchez
D569,938 S	5/2008	Sanchez
D570,937 S	6/2008	Schweigert
D570,938 S	6/2008	Jertson
D570,939 S	6/2008	Chen
D570,940 S	6/2008	Chen
D570,941 S	6/2008	Chen
D571,882 S	6/2008	Sorraco
D572,324 S	7/2008	Chen
D572,782 S	7/2008	Sanchez

(Continued)

Primary Examiner — Mitchell I. Siegel

(57) **CLAIM**

The ornamental design for a golf club head, as shown and described.

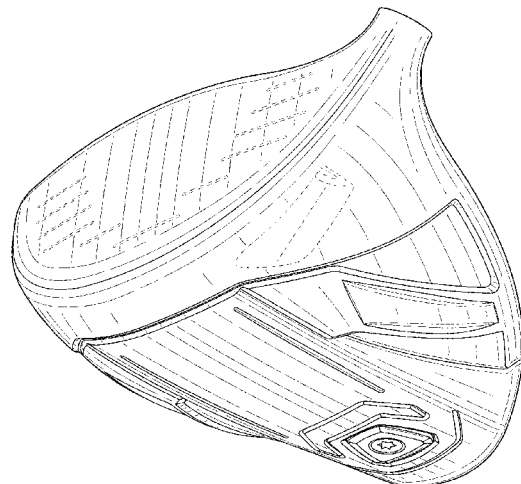
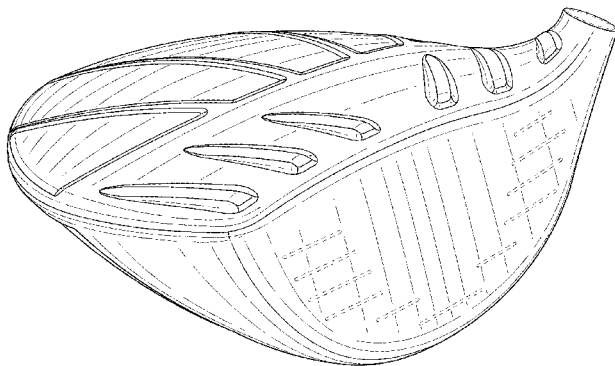
**DESCRIPTION**

FIG. 1 is a top perspective view of a golf club head; FIG. 2 is a bottom perspective view of the golf club head of FIG. 1; FIG. 3 is a front view of the golf club head of FIG. 1; FIG. 4 is a rear view of the golf club head of FIG. 1; FIG. 5 is a heel view of the golf club head of FIG. 1; FIG. 6 is a toe view of the golf club head of FIG. 1; FIG. 7 is a top view of the golf club head of FIG. 1; and, FIG. 8 is a bottom view of the golf club head of FIG. 1. The broken lines shown in one or more of the figures are for illustrative purposes only and form no part of the claimed design.

**1 Claim, 8 Drawing Sheets**

(56) **References Cited**  
U.S. PATENT DOCUMENTS

D482,419 S	11/2003	Burrows
D486,542 S	2/2004	Burrows
D490,870 S	6/2004	Burrows
D508,275 S	8/2005	Burrows
D553,206 S	10/2007	Morales
D557,362 S	12/2007	Serrano
D557,363 S	12/2007	Jertson
D558,287 S	12/2007	Jertson
D558,288 S	12/2007	Jertson
D562,421 S	2/2008	Jertson
D563,498 S	3/2008	Jertson



(56)

References Cited

U.S. PATENT DOCUMENTS

D572,783 S	7/2008	Sanchez	D621,892 S	8/2010	Kohno	
D572,784 S	7/2008	Sanchez	D631,111 S *	1/2011	Bennett	D21/752
D572,785 S	7/2008	Chen	7,892,111 B2	2/2011	Morales	
D572,787 S	7/2008	Sanchez	D635,626 S	4/2011	Nicolette	
D572,791 S	7/2008	Jertson	D638,896 S	5/2011	Schweigert	
D573,213 S	7/2008	Sanchez	7,934,998 B2	5/2011	Yokota	
D573,214 S	7/2008	Sanchez	8,012,034 B1	9/2011	Cackett	
D573,215 S	7/2008	Sanchez	8,012,038 B1	9/2011	Beach et al.	
D573,216 S	7/2008	Sanchez	D647,585 S	10/2011	Jertson et al.	
D573,217 S	7/2008	Sanchez	D661,751 S	6/2012	Nicolette	
D573,218 S	7/2008	Sanchez	D661,752 S	6/2012	Stokke	
D573,674 S	7/2008	Sanchez	D661,756 S	6/2012	Nicolette	
D573,675 S	7/2008	Sanchez	D661,757 S	6/2012	Stokke	
D573,676 S	7/2008	Chen	8,235,841 B2	8/2012	Stites et al.	
D573,678 S	7/2008	Kawami	D669,546 S	10/2012	Llewellyn	
D574,046 S	7/2008	Chen	D669,948 S	10/2012	Sakamoto	
D574,048 S	7/2008	Kadoya	D669,949 S	10/2012	Sakamoto	
D574,049 S	7/2008	Kadoya	8,337,319 B2	12/2012	Sargent et al.	
D574,050 S	7/2008	Jones	8,337,326 B2	12/2012	Lukasiewicz, Jr.	
7,396,296 B2	7/2008	Evans	8,337,328 B2	12/2012	Foster et al.	
D574,456 S	8/2008	Chen	D673,630 S	1/2013	Schweigert	
D578,587 S	10/2008	Hoffman	D673,631 S *	1/2013	Engel	D21/759
D579,066 S	10/2008	Dipert	D673,632 S	1/2013	Schweigert	
D579,067 S	10/2008	Hoffman	D680,179 S	4/2013	Schweigert	
D580,504 S	11/2008	Bosilkovski	D686,291 S	7/2013	Foster	
D583,432 S	12/2008	Serrano	D687,503 S	8/2013	Solheim	
D587,772 S	3/2009	Ferguson	D691,230 S	10/2013	Chen et al.	
D588,217 S	3/2009	Jertson	D696,739 S	12/2013	Stokke et al.	
D588,220 S	3/2009	Ferguson	D705,879 S	5/2014	Chen	
D588,659 S	3/2009	Jertson	D709,153 S	7/2014	Fossum et al.	
D589,576 S	3/2009	Kadoya	D709,574 S	7/2014	Bacon et al.	
7,503,854 B2	3/2009	Galloway	D720,025 S	12/2014	Nicolette	
D591,810 S	5/2009	Murphy	D721,147 S	1/2015	Chen	
D591,817 S	5/2009	Murphy	D721,777 S	1/2015	Chen	
D591,818 S	5/2009	Roberts	D738,976 S *	9/2015	Kim	D21/759
D594,518 S	6/2009	Schweigert	D754,271 S	4/2016	Chen	
D594,521 S	6/2009	Jertson	D755,317 S	5/2016	Chen	
D594,919 S	6/2009	Schweigert	D763,983 S	8/2016	Tang	
D595,381 S	6/2009	Waggoner	D763,997 S *	8/2016	Tang	D21/759
D596,252 S	7/2009	Jertson	D777,855 S *	1/2017	Stokke	D21/752
D598,062 S	8/2009	Dipert	D780,866 S *	3/2017	Stokke	D21/752
D600,297 S	9/2009	Jertson	D785,735 S *	5/2017	Bacon	D21/752
D603,472 S	11/2009	Schweigert	D788,864 S *	6/2017	Stokke	D21/752
D603,919 S	11/2009	Gray	D791,255 S *	7/2017	Jertson	D21/752
D604,376 S	11/2009	Darley	D794,733 S *	8/2017	Milleman	D21/752
D609,293 S	2/2010	Williams	D801,461 S *	10/2017	Milleman	D21/752
D609,294 S	2/2010	Oldknow	D801,465 S *	10/2017	Tang	D21/759
D611,555 S	3/2010	Oldknow	2006/0052181 A1	3/2006	Serrano	
D612,005 S	3/2010	Oldknow	2008/0171812 A1	7/2008	Serrano	
D613,805 S	4/2010	Sutovsky	2008/0188322 A1	8/2008	Anderson	
7,717,807 B2	5/2010	Evans et al.	2009/0275419 A1	11/2009	Cackett	
D618,747 S	6/2010	Schweigert	2010/0267461 A1	10/2010	Stites	
D618,753 S	6/2010	Jertson	2011/0053702 A1	3/2011	Stites et al.	
D618,754 S	6/2010	Schweigert	2011/0143858 A1	6/2011	Peralta	
			2012/0252597 A1	10/2012	Thomas	
			2013/0029781 A1	1/2013	Beno et al.	

\* cited by examiner

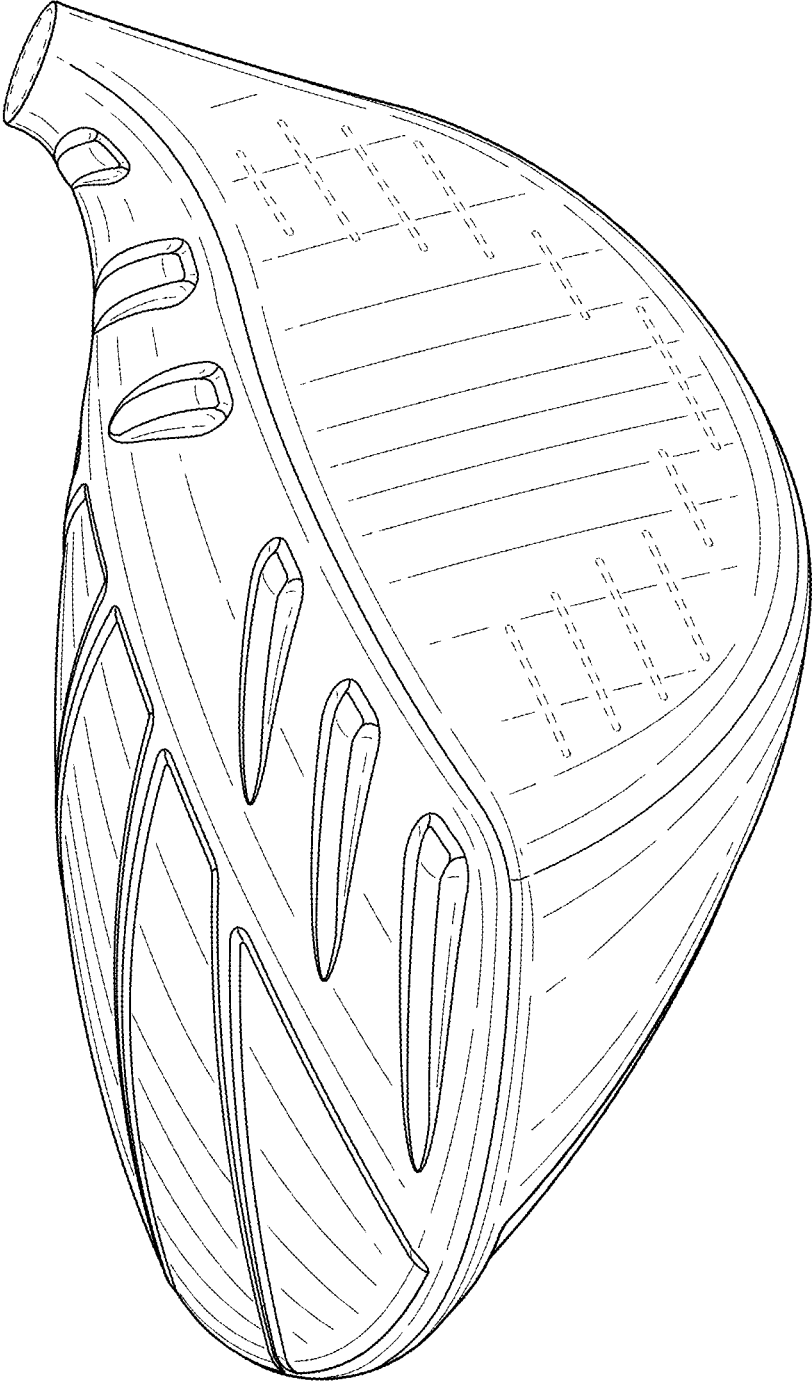
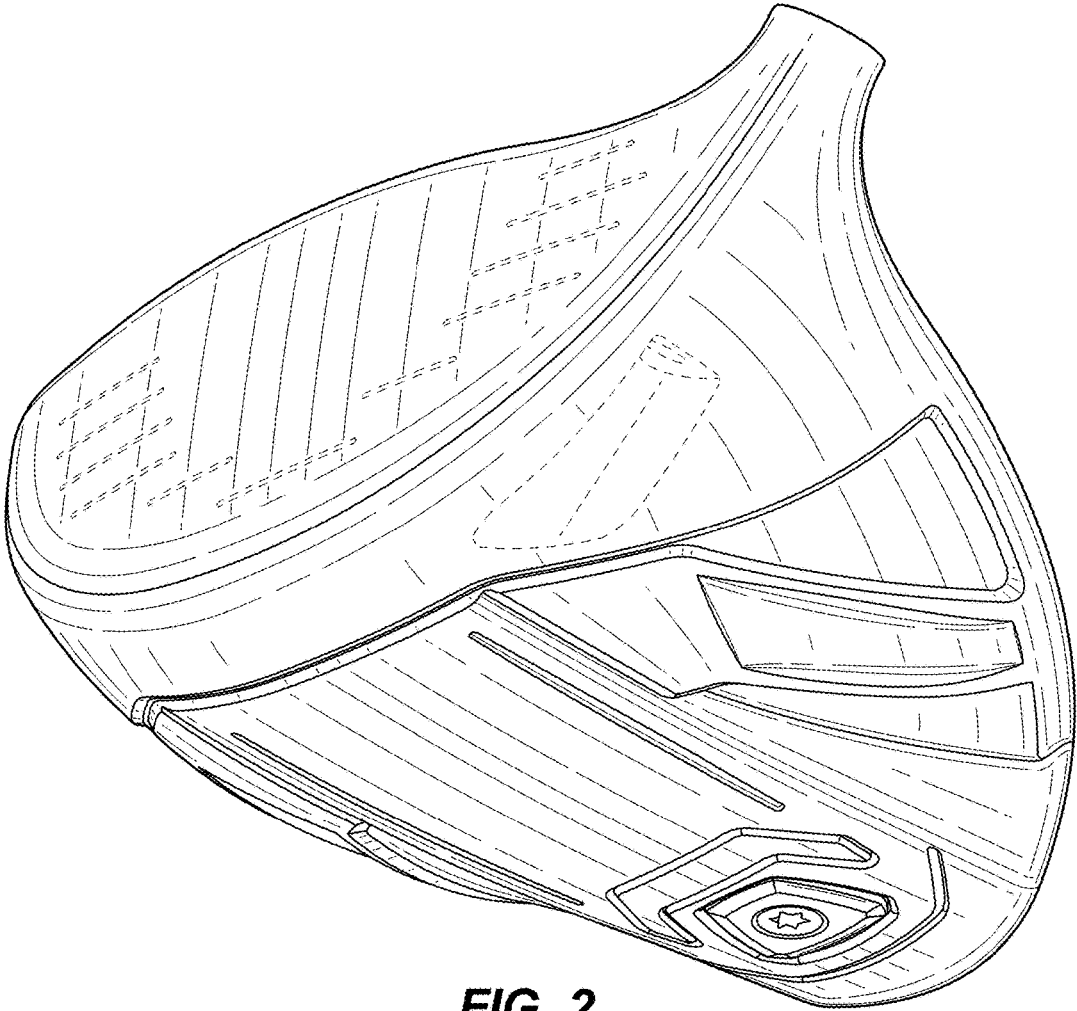
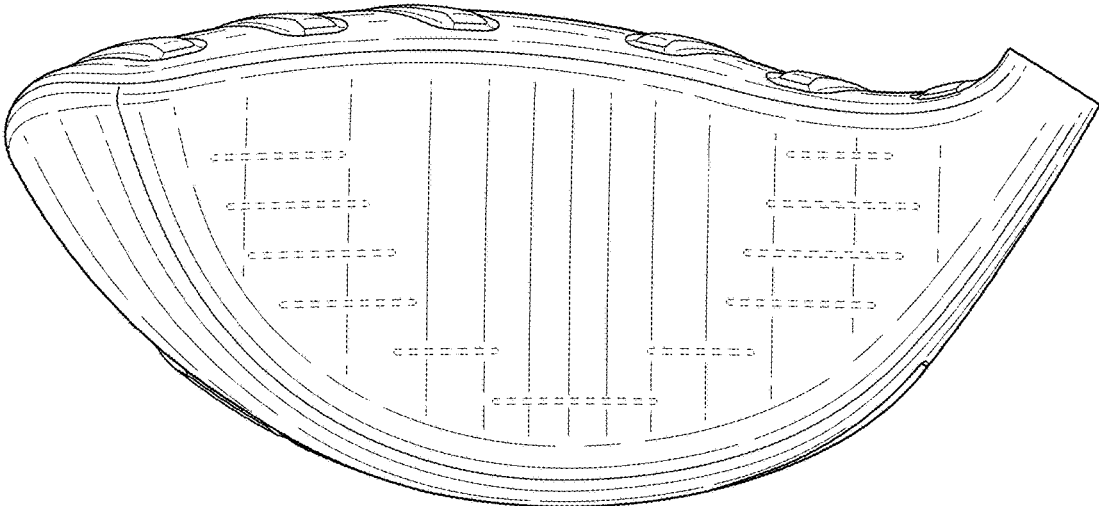


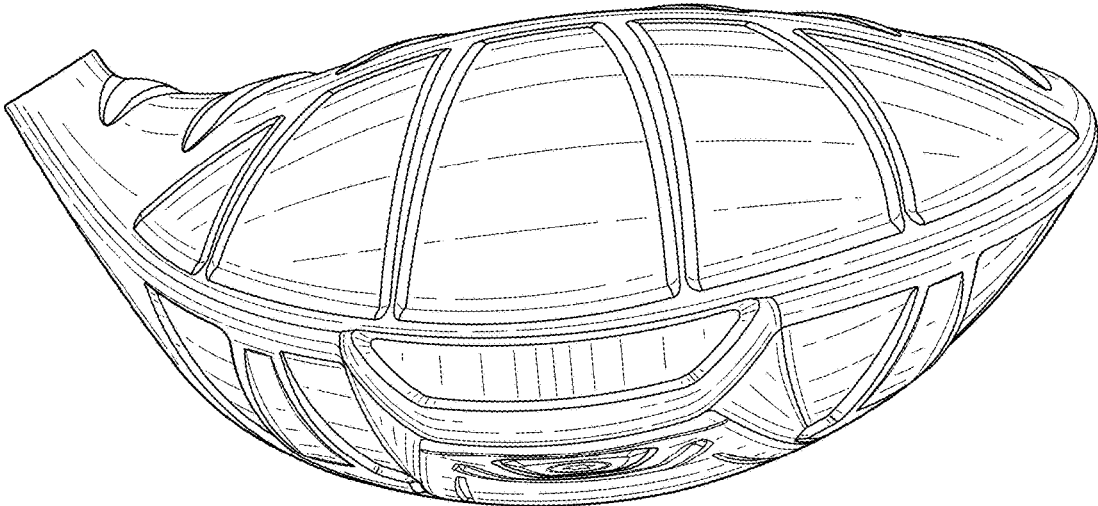
FIG. 1



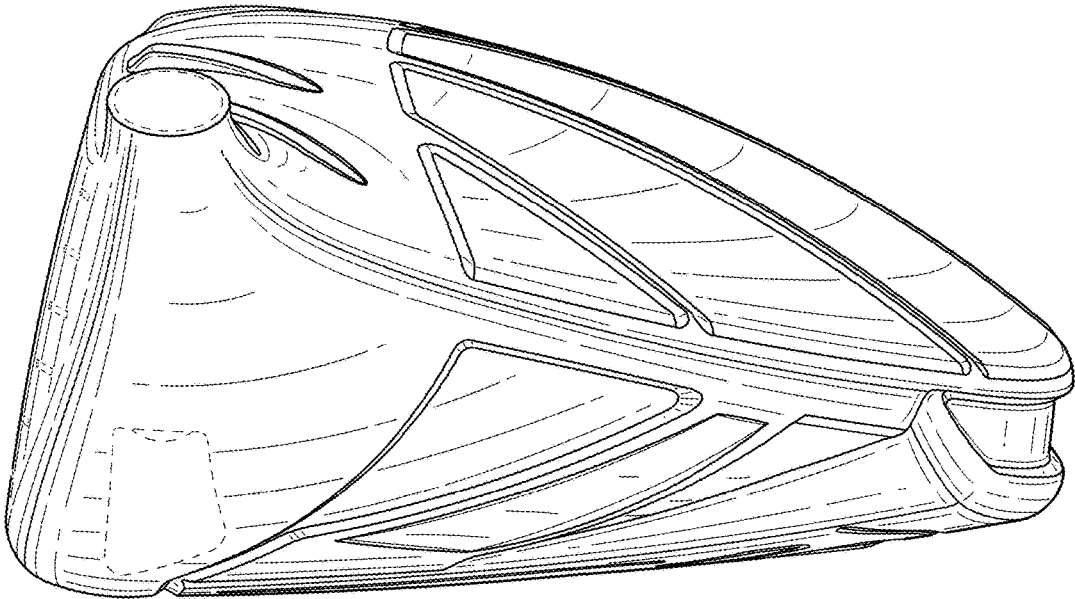
**FIG. 2**



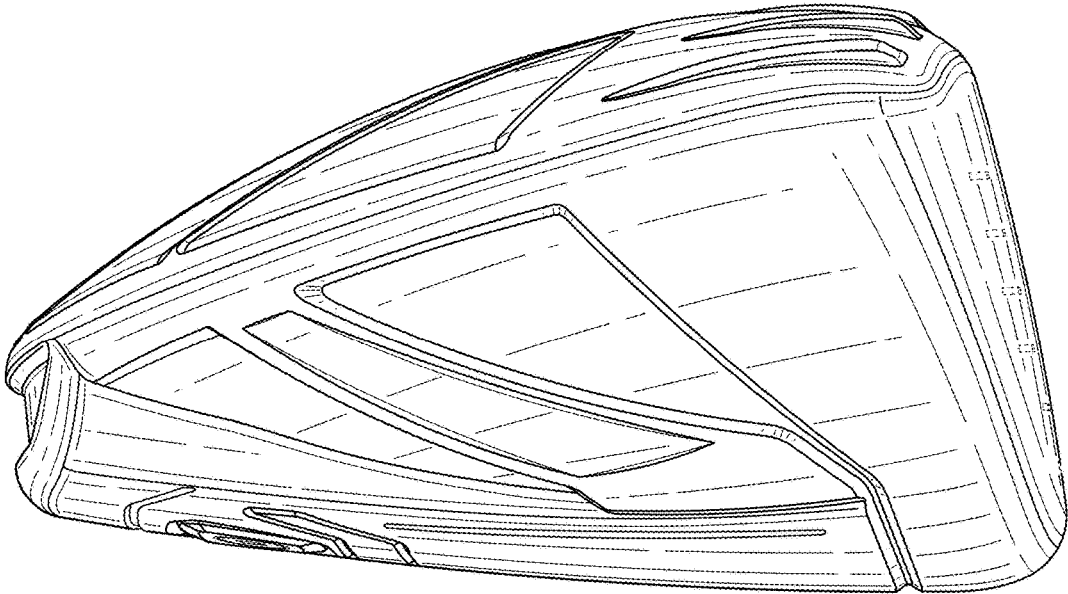
**FIG. 3**



**FIG. 4**

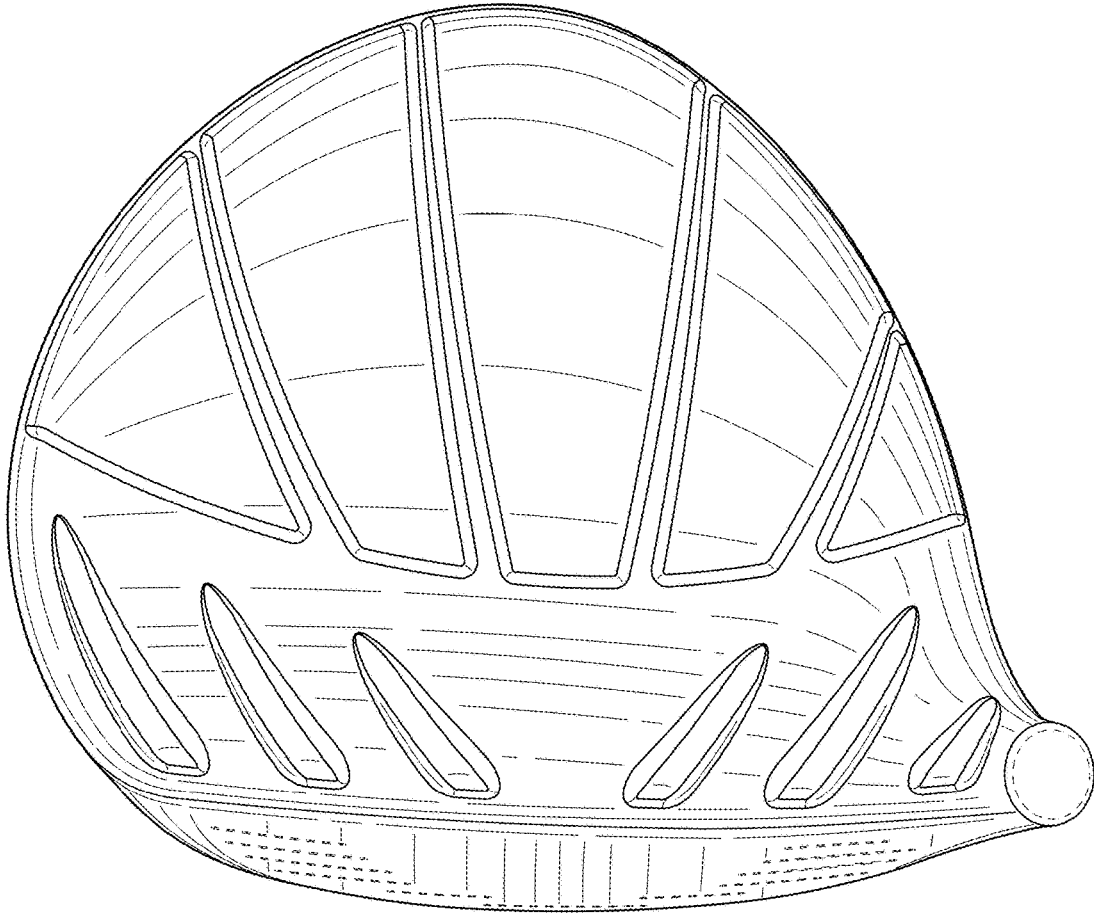


**FIG. 5**

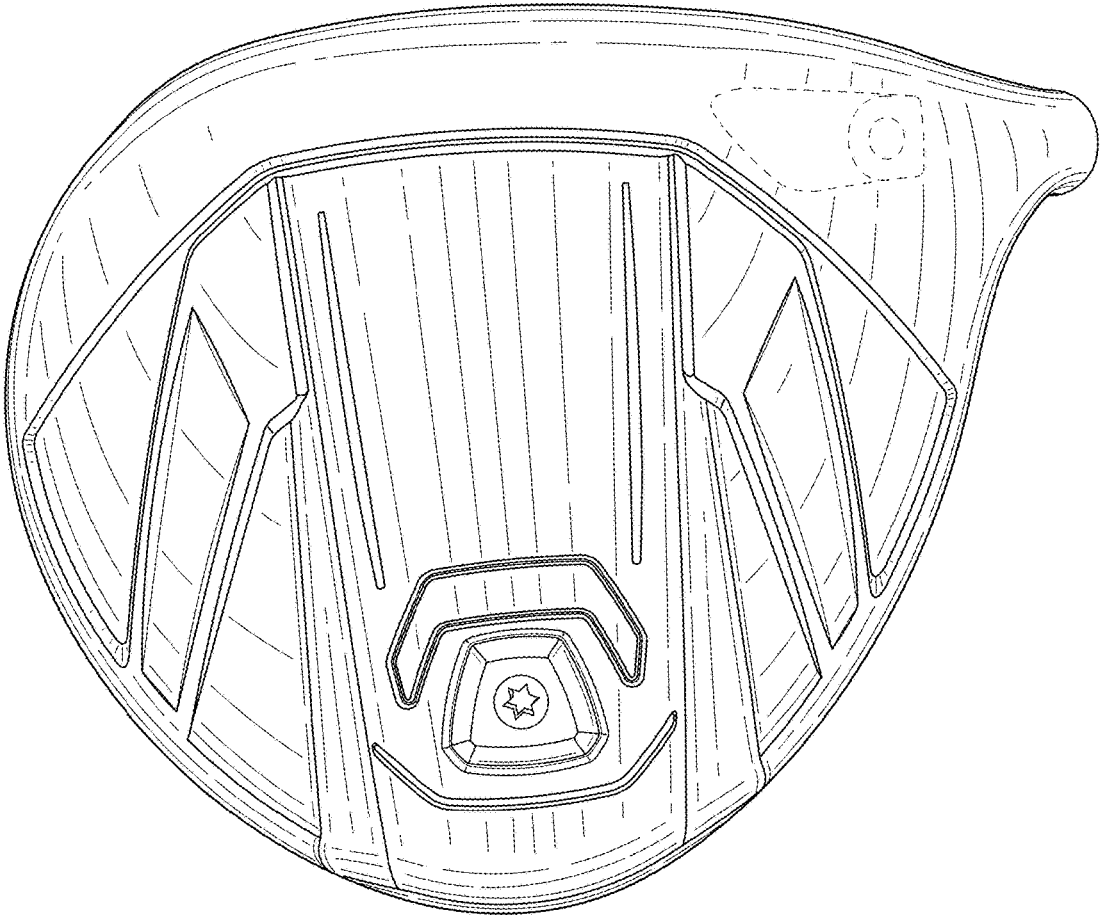


**FIG. 6**





**FIG. 7**



**FIG. 8**