

182,941

TIRE

Melvin A. Wilson, Cuyahoga Falls, Ohio, assignor to The
Goodyear Tire & Rubber Company, Akron, Ohio, a
corporation of Ohio

Application February 6, 1956, Serial No. 40,036

Term of patent 14 years

(Cl. D90—20)

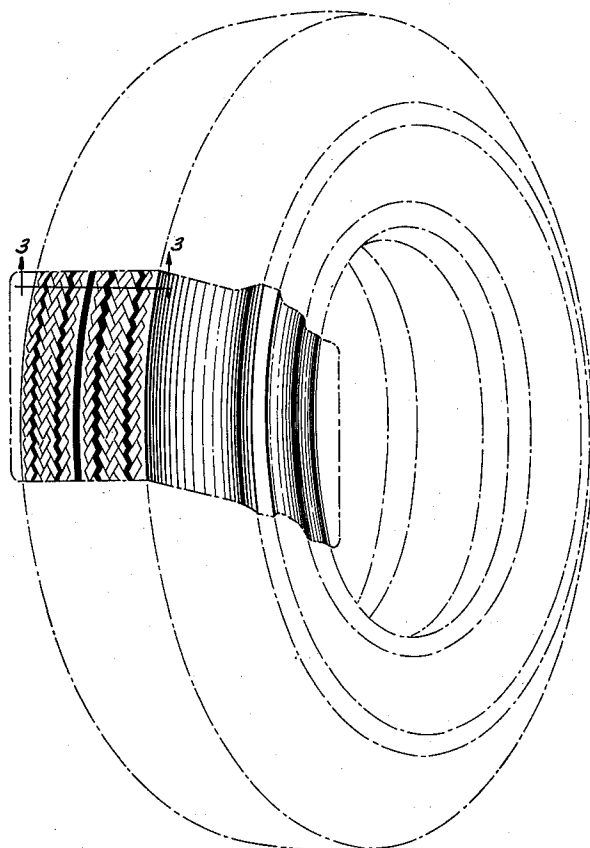


FIG. 1

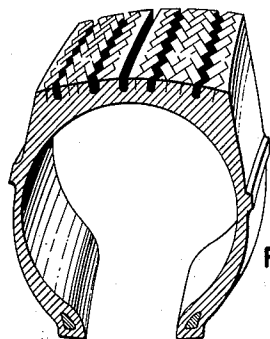


FIG. 3

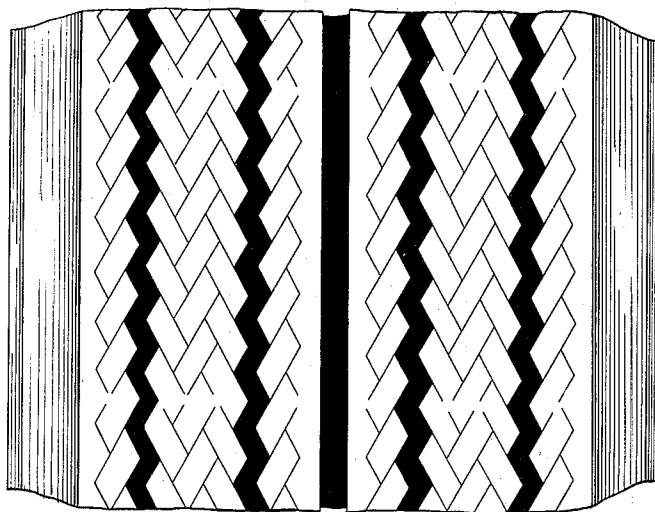


Fig. 2

Fig. 1 is a perspective view of a tire showing my new design; it being understood that the full line portion is repeated throughout the circumference of the tire shown by means of broken lines;

Fig. 2 is a fragmentary enlarged top plan view of Fig. 1, showing a repeat unit; and

Fig. 3 is a cross-sectional view taken on the line 3—3 of Fig. 1.

The dominant features of my design reside in the full line portion of the drawing.

I claim:

The ornamental design for a tire, as shown and described.

References Cited in the file of this patent

UNITED STATES PATENTS

D. 165,098	Muszynski et al. -----	Nov. 6, 1951
D. 176,615	Jones -----	Jan. 10, 1956

OTHER REFERENCES

The Pep Boys, Summer and Fall 1940, page 29, upper right corner, Battery Cables.

Look, November 2, 1954, page 27, Firestone Champion tire.