



US00D450770B1

(12) **United States Design Patent** (10) **Patent No.:** **US D450,770 S**  
**Starkey** (45) **Date of Patent:** **\*\* Nov. 20, 2001**

(54) **KNOT TYING TRAINING DEVICE**

(76) **Inventor:** **George R. Starkey**, 3645 N. 69<sup>th</sup> Ave.  
#92, Phoenix, AZ (US) 85033

(\*\*) **Term:** **14 Years**

(21) **Appl. No.:** **29/117,882**

(22) **Filed:** **Feb. 1, 2000**

(51) **LOC (7) Cl.** ..... **19-07**

(52) **U.S. Cl.** ..... **D19/62**

(58) **Field of Search** ..... D19/59, 62, 64;  
289/1.5, 17, 18.1; 434/260

(56) **References Cited**

**U.S. PATENT DOCUMENTS**

D. 143,237	*	12/1945	Pares	.....	D19/62
D. 368,492	*	4/1996	McLaughlin	.....	D19/64
D. 383,163	*	9/1997	Davidson	.....	D19/62
2,624,957	*	1/1953	Collins	.....	434/260

\* cited by examiner

*Primary Examiner*—Adir Aronovich

(74) *Attorney, Agent, or Firm*—Parsons & Goltry; Robert A. Parsons; Michael W. Goltry

(57) **CLAIM**

The ornamental design for a knot tying training device, as shown and described.

**DESCRIPTION**

FIG. 1 is a perspective view of a knot tying training device showing my new design;

FIG. 2 is a top view thereof;

FIG. 3 is a bottom view thereof;

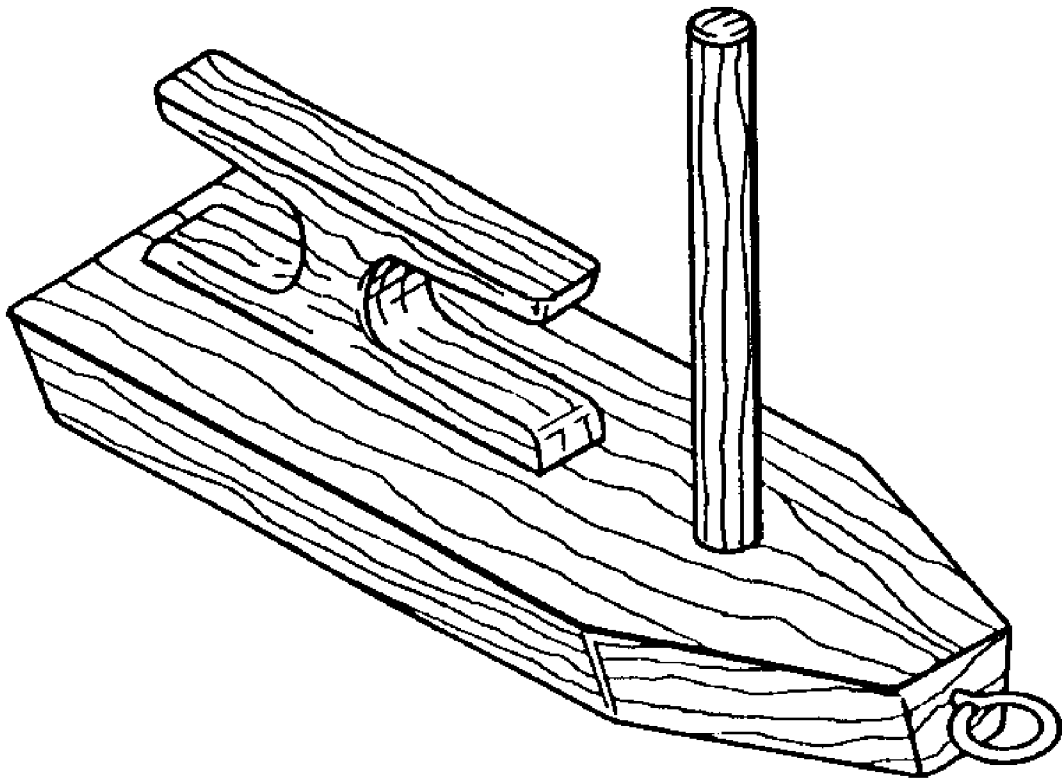
FIG. 4 is a front view thereof;

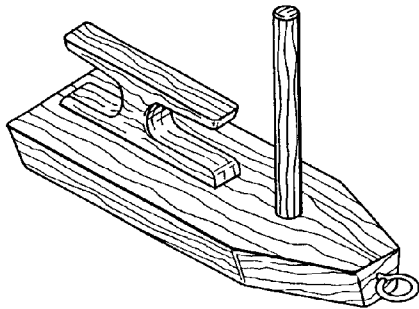
FIG. 5 is a right view thereof;

FIG. 6 is a left view thereof; and,

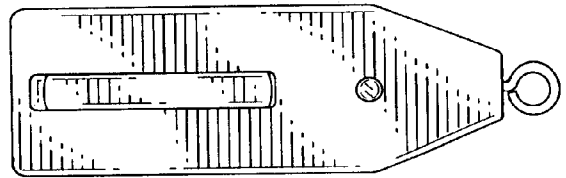
FIG. 7 is a back view thereof.

**1 Claim, 1 Drawing Sheet**

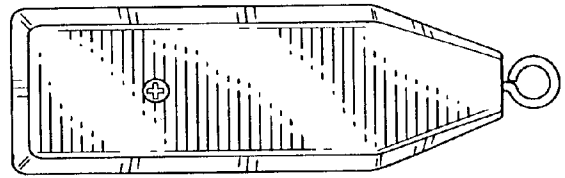




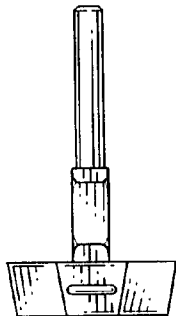
**FIG. 1.**



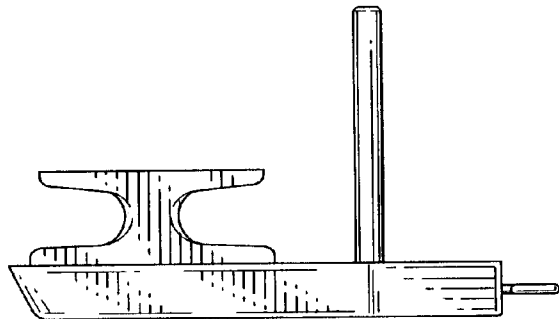
**FIG. 2.**



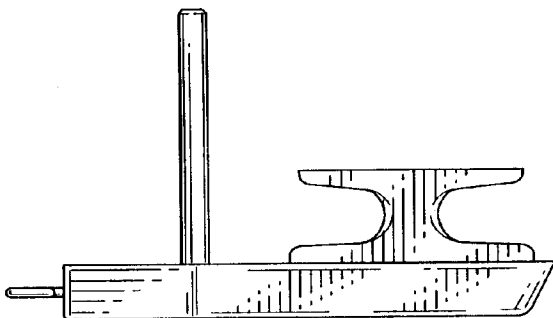
**FIG. 3.**



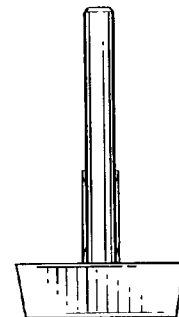
**FIG. 4.**



**FIG. 5.**



**FIG. 6.**



**FIG. 7.**