



US00D878163S

(12) **United States Design Patent**
Rane et al.

(10) **Patent No.:** **US D878,163 S**
(45) **Date of Patent:** **** Mar. 17, 2020**

(54) **CONTAINER**

FOREIGN PATENT DOCUMENTS

(71) Applicant: **YETI Coolers, LLC**, Austin, TX (US)

AU 2010100178 A4 3/2010
CN 201116176 Y 9/2008

(72) Inventors: **Mark Carlson Rane**, Austin, TX (US);
Andrew J. Winterhalter, Austin, TX (US);
Edward Naguit Abante, Austin, TX (US);
Desiree Hunter, Austin, TX (US);
Robert Throop, Austin, TX (US);
Elizaveta Morris, Austin, TX (US)

(Continued)

OTHER PUBLICATIONS

Plastic Jar | posted at uline.com, no posting date, (c)—1996-2019 Uline.com, [online], [site visited Jun. 5, 2017]. Available from Internet, <<https://www.uline.com/Product/Detail/S-9935B-W/Jars/Clear-Round-Wide-Mouth-Plastic-Jars-Bulk-Pack-8-oz-White-Cap>> (Year: 2019).

(73) Assignee: **YETI Coolers, LLC**, Austin, TX (US)

(Continued)

(**) Term: **15 Years**

Primary Examiner — Terry A Wallace

(21) Appl. No.: **29/643,777**

(74) *Attorney, Agent, or Firm* — Banner & Witcoff, Ltd.

(22) Filed: **Apr. 11, 2018**

(51) **LOC (12) Cl.** **07-01**

(52) **U.S. Cl.**

USPC **D7/608; D7/630**

(58) **Field of Classification Search**

USPC D7/605–608, 629, 630, 612–615,
D7/509–511; D9/500, 502, 503

CPC A47J 41/00; A47J 41/005; A47J 41/02;

A47J 41/022; A47J 41/024; A47J 41/026;

A47J 41/028; A47J 41/0077; A47J

41/0072; F25D 3/08; F25D 3/14; F25D

2331/804; A45C 11/20; A47G 19/2205;

A47G 19/23; A47G 19/2272; A47G

2019/2294; B65D 81/3837; B65D

81/3839; B65D 81/3841; B65D 81/3844;

B65D 81/3846; B65D 81/3876; B65D

81/3879; B65D 81/3883; B65D 81/3886;

B65D 41/04; B65D 23/0814; B65D

23/0878; B65D 1/0215

See application file for complete search history.

(56) **References Cited**

U.S. PATENT DOCUMENTS

769,615 A 9/1904 Kosansvich
1,324,653 A 12/1919 Ferdon

(Continued)

(57) **CLAIM**

The ornamental design for a container, as shown and described.

DESCRIPTION

FIG. 1 is a top, front, left perspective exploded view of a container showing my new design;

FIG. 2 is a front exploded view thereof;

FIG. 3 is a rear exploded view thereof;

FIG. 4 is a left side exploded view thereof;

FIG. 5 is a right side exploded view thereof;

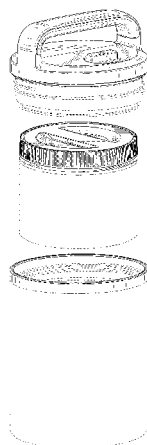
FIG. 6 is a front view of the container design shown in FIGS.

1-5 in an exemplary assembled and in-use state; and,

FIG. 7 is a cross-sectional view taken from FIG. 6.

The broken lines depicting the remainder of the container show features that form no part of the claimed design. The uneven-length broken lines immediately adjacent to the shaded areas in FIGS. 1 through 6 define the boundary lines of the claimed design and form no part of thereof.

1 Claim, 7 Drawing Sheets



(56)

References Cited

U.S. PATENT DOCUMENTS

1,362,933	A	12/1920	Ferdon		D527,219	S	8/2006	Trombly	
1,472,667	A	10/1923	Nelson		D552,413	S	10/2007	Laib et al.	
1,573,620	A	2/1926	Allston		D557,994	S	* 12/2007	Wahl	D7/608
1,871,138	A	8/1932	Ward, Jr.		D562,624	S	2/2008	Kortleven	
2,010,812	A	8/1935	Devine		7,350,657	B2	4/2008	Eaton et al.	
2,184,336	A	12/1939	Devine		7,401,708	B2	7/2008	Lin	
2,488,611	A	11/1949	Stallings		D574,708	S	8/2008	Reed et al.	
D160,648	S	10/1950	Munk		D579,720	S	11/2008	Rohe	
2,575,770	A	11/1951	Roop		D581,809	S	12/2008	Wichowski	
2,663,450	A	12/1953	Bourcart		D582,275	S	12/2008	Reed et al.	
2,872,095	A	2/1959	Adams		D583,200	S	12/2008	Moran	
2,960,250	A	11/1960	Haloski		D584,103	S	1/2009	Valderrama et al.	
2,963,187	A	* 12/1960	Bramming	A47J 41/02 215/12.1	D585,245	S	* 1/2009	Brouillette	D7/608
					D587,115	S	2/2009	Capretta et al.	
					7,487,883	B2	2/2009	Waters	
					D587,534	S	3/2009	Carreno	
					D592,954	S	5/2009	Capretta et al.	
					D593,811	S	6/2009	Carreno	
3,067,896	A	12/1962	Berg et al.		7,559,274	B2	7/2009	Wilhite	
3,093,238	A	6/1963	King III		D606,864	S	12/2009	Robinson	
3,117,692	A	1/1964	Carpenter et al.		D608,195	S	1/2010	Germann	
3,223,279	A	12/1965	Wheaton		D609,521	S	2/2010	Holsinger	
3,243,038	A	3/1966	Caramanian		D612,235	S	3/2010	Cresswell et al.	
3,266,623	A	8/1966	Pofelr		D612,240	S	3/2010	Cresswell et al.	
3,385,465	A	5/1968	Bliss		7,686,168	B1	3/2010	Smiley et al.	
4,126,246	A	11/1978	Galer		7,726,483	B2	6/2010	Ramanujam et al.	
4,242,834	A	1/1981	Olsen		D620,357	S	7/2010	Jewett et al.	
4,368,819	A	1/1983	Durham		D620,798	S	8/2010	Cresswell et al.	
D278,413	S	4/1985	Woodcock et al.		D622,089	S	8/2010	Daniel et al.	
D279,346	S	* 6/1985	Ruxton	D7/321	D622,554	S	8/2010	Carreno	
4,638,645	A	1/1987	Simila		D623,480	S	9/2010	Moran	
4,756,424	A	7/1988	Schwartz		D623,481	S	9/2010	Moran	
4,804,101	A	2/1989	Heath		D623,896	S	9/2010	Wahl et al.	
4,930,636	A	6/1990	Meadows		D624,413	S	9/2010	Selina et al.	
D313,353	S	1/1991	Hart et al.		D626,416	S	11/2010	Cresswell et al.	
5,086,926	A	2/1992	Paige et al.		D628,486	S	12/2010	Lane	
5,154,303	A	10/1992	Jordan		D628,857	S	12/2010	Tatsukawa	
D336,817	S	6/1993	Wilcox, Jr.		D629,657	S	12/2010	Carreno	
D341,320	S	11/1993	Morin		D630,475	S	1/2011	Lu	
D342,134	S	12/1993	Mongeon		D635,393	S	4/2011	Nakatani	
D345,485	S	3/1994	Leung		D635,457	S	* 4/2011	Lane	D7/511
5,335,809	A	8/1994	Toida et al.		D641,206	S	7/2011	Heiberg et al.	
5,386,922	A	2/1995	Jordan		D641,591	S	7/2011	Tsukida	
D363,642	S	10/1995	Goto et al.		7,988,005	B2	8/2011	Wagner	
D364,533	S	11/1995	Brophy		D645,349	S	9/2011	Tilton	
5,540,329	A	7/1996	Vogeley		D651,050	S	12/2011	Goshi	
5,549,039	A	8/1996	Ito et al.		D652,255	S	1/2012	Carland	
D375,657	S	11/1996	Jarvis		D660,084	S	* 5/2012	Gilbert	D7/510
5,669,498	A	9/1997	Fierek et al.		D660,655	S	* 5/2012	Wahl	D7/608
5,671,856	A	9/1997	Lisch		D660,657	S	5/2012	Picozza et al.	
D394,184	S	5/1998	Demore		D666,061	S	8/2012	Ying	
5,884,796	A	3/1999	Hallmark		D673,047	S	12/2012	Stamper et al.	
5,890,614	A	4/1999	Dancyger		8,328,014	B2	12/2012	Saunders et al.	
5,950,913	A	9/1999	Rea et al.		D675,100	S	1/2013	Herbst	
6,029,457	A	2/2000	Neeser et al.		8,342,349	B2	1/2013	Lu	
6,036,801	A	3/2000	Yamada et al.		8,360,048	B2	1/2013	Ford et al.	
H001855	H	8/2000	Litton et al.		D679,959	S	4/2013	Lane	
6,119,889	A	9/2000	Fujii et al.		D680,431	S	4/2013	Hopkins et al.	
6,151,910	A	11/2000	Hazen		D682,625	S	5/2013	Lane	
6,168,040	B1	1/2001	Sautner et al.		D682,626	S	5/2013	Lane	
6,209,725	B1	4/2001	Chen		3,448,801	A1	5/2013	Rusnak et al.	
6,418,731	B1	7/2002	Anthony		D685,231	S	7/2013	Lane	
6,419,108	B1	7/2002	Toida et al.		D685,232	S	7/2013	Lane	
D466,814	S	* 12/2002	Hurlburt	D9/504	D691,245	S	10/2013	Ho	
6,530,496	B2	3/2003	Moran		8,561,825	B1	10/2013	Kino et al.	
D476,858	S	7/2003	Slater et al.		8,584,891	B2	11/2013	Hutchinson et al.	
D477,752	S	7/2003	Slater et al.		D696,079	S	12/2013	Meyers et al.	
D479,951	S	9/2003	Segura		D696,790	S	12/2013	Nemeth	
6,659,302	B2	12/2003	Lin		8,631,957	B2	1/2014	Dart et al.	
6,726,047	B2	4/2004	Lin		D702,506	S	* 4/2014	Mettler	D7/608
D493,677	S	8/2004	Meyer		8,701,887	B2	4/2014	Baker et al.	
6,779,679	B1	8/2004	Dias, Jr. et al.		D708,010	S	7/2014	Gillette et al.	
D497,778	S	11/2004	Rich		D708,912	S	7/2014	DeCraim	
6,832,705	B2	12/2004	Hollander et al.		8,783,482	B2	7/2014	Mezrag et al.	
D514,936	S	2/2006	Pace et al.		D710,155	S	8/2014	Tatsukawa	
D515,866	S	2/2006	Wiedmeyer et al.		D710,696	S	8/2014	Kwon	
D516,375	S	3/2006	Cioeta et al.		8,800,796	B2	8/2014	Wagner	
D516,910	S	3/2006	Bresler		D713,365	S	9/2014	Green	
7,073,678	B1	7/2006	Dibdin et al.		D715,590	S	10/2014	Mangano	

(56)

References Cited

U.S. PATENT DOCUMENTS

8,857,209 B2 10/2014 Wang
D717,114 S 11/2014 Katterheinrich et al.
D717,469 S 11/2014 Nemeth
8,919,591 B2 12/2014 Cai et al.
D722,476 S 2/2015 Kilduff et al.
D723,370 S 3/2015 Medlin
9,016,508 B1 4/2015 Leighton et al.
3,051,095 A1 6/2015 Antal, Sr.
9,102,439 B2 8/2015 Kemper et al.
9,120,598 B2 9/2015 Meyers et al.
9,216,843 B2 12/2015 Sorensen et al.
D749,948 S 2/2016 Groglopo Favetto
9,254,063 B2 2/2016 Libourel et al.
9,278,781 B1 3/2016 Boldis
9,322,588 B2 4/2016 Carroll et al.
D755,561 S 5/2016 Eyal
D758,859 S 6/2016 Sorensen et al.
D760,586 S 7/2016 Seiders et al.
D766,668 S 9/2016 Garcia
D766,717 S 9/2016 Sheikh
3,452,876 A1 9/2016 Anelevitz et al.
D769,079 S 10/2016 Kotani
D770,239 S 11/2016 Lonner et al.
D770,240 S 11/2016 Stover
3,492,024 A1 11/2016 Sorensen et al.
D774,362 S 12/2016 Wahl
D774,837 S 12/2016 Seiders et al.
9,516,974 B2 12/2016 Herling et al.
D775,496 S 1/2017 Szucs et al.
D780,577 S 3/2017 Seiders et al.
D781,145 S 3/2017 Seiders et al.
D781,146 S 3/2017 Seiders et al.
D782,253 S 3/2017 Boroski et al.
D782,881 S 4/2017 Seiders et al.
D783,367 S 4/2017 Seiders et al.
D783,368 S 4/2017 Seiders et al.
D784,093 S 4/2017 Boroski et al.
D784,775 S 4/2017 Seiders et al.
D787,317 S 5/2017 Dunn et al.
D788,544 S 6/2017 Seiders et al.
D790,285 S 6/2017 Seiders et al.
D795,705 S 8/2017 Huang
D804,304 S 12/2017 Pearson
D805,852 S 12/2017 Seiders et al.
D808,263 S 1/2018 Patel
D808,713 S 1/2018 Rane et al.
D811,162 S 2/2018 Rane et al.
D814,928 S 4/2018 Seiders et al.
D816,493 S 5/2018 Seiders et al.
D819,396 S 6/2018 Seiders et al.
D820,650 S 6/2018 Seiders et al.
D821,135 S 6/2018 Rane et al.
D821,807 S 7/2018 Yap et al.
D831,436 S 10/2018 Seiders et al.
D832,704 S 11/2018 Seiders et al.
D834,366 S 11/2018 Ulanski et al.
2002/0031462 A1 3/2002 Jorgensen
2004/0124114 A1 7/2004 Sellers
2005/0145633 A1 7/2005 Goto et al.
2006/0186125 A1 8/2006 Tew
2008/0006642 A1 1/2008 Hidary
2008/0006643 A1 1/2008 Ma
2008/0314909 A1 12/2008 Takeo et al.
2009/0057312 A1 3/2009 Beyers, III
2009/0071968 A1 3/2009 O'Brien
2009/0212059 A1 8/2009 Chen
2009/0255942 A1 10/2009 Omdoll et al.
2009/0266737 A1 10/2009 Cole
2010/0078435 A1 4/2010 Wang
2010/0089857 A1 4/2010 Dinerstein et al.
2010/0108694 A1 5/2010 Sedlbauer et al.
2010/0200532 A1 8/2010 Ekkert
2011/0163102 A1 7/2011 Haynie
2011/0186585 A1* 8/2011 Lu A47J 41/00

220/575

2012/0018317 A1 1/2012 Rein
2012/0037646 A1 2/2012 Dunwoody et al.
2012/0043334 A1 2/2012 Nowzari
2013/0008909 A1 1/2013 Terracciano
2013/0175250 A1 7/2013 Saatkamp et al.
2013/0248537 A1 9/2013 Lane
2014/0061210 A1 3/2014 O'Hanley et al.
2014/0091097 A1 4/2014 Lane
2014/0202597 A1 7/2014 Waniuk
2015/0053679 A1 2/2015 Liu
2015/0136797 A1 5/2015 Li
2015/0197390 A1 7/2015 Kurabe et al.
2015/0282652 A1 10/2015 Honarvar et al.
2015/0284138 A1 10/2015 Lane et al.
2015/0366236 A1 12/2015 Inoue
2016/0150902 A1 6/2016 Dokhanian et al.
2016/0214783 A1 7/2016 Xie
2016/0318693 A1 11/2016 Hein et al.
2016/0354775 A1 12/2016 Bruno et al.
2017/0073147 A1 3/2017 Kuhn
2017/0217638 A1 8/2017 Faria et al.

FOREIGN PATENT DOCUMENTS

CN 102028402 A 4/2011
CN 201855104 U 6/2011
CN 102599799 A 7/2012
CN 103395565 A 11/2013
CN 205498376 U 8/2016
DE 20219646 U1 3/2003
EP 631940 A1 1/1995
EP 1044889 A1 10/2000
EP 1057748 A1 12/2000
ES 2383862 A1 6/2012
GB 2523797 A 9/2015
JE 9203581 U1 5/1992
JP 19970157380 12/1998
JP 19980153576 11/1999
JP 2003024124 A 1/2003
JP 2003144221 A 5/2003
JP 2004337207 A 12/2004
JP 2006042944 A 2/2006
JP 2007313232 A 12/2007
JP 2011254850 A 12/2011
JP 2012070927 A 4/2012
JP 3175589 U 5/2012
JP 2015217158 A 12/2015
JP 20160003528 U 9/2016
KR 200470218 Y1 12/2013
KR 200483708 Y1 6/2017
NO 2005095226 A1 10/2005
NO 2010100773 A1 9/2010
NO 2014086092 A1 6/2014
WO 0128886 A1 4/2001

OTHER PUBLICATIONS

MonBento Insulated Bento Box: Site Visited [Jul. 19, 2019]. Available from internet URL: <<https://www.lunchaporter.com/en/all-products/lunch-containers/monbento-element-insulated-bento-box.html>>.

Vaya Tyffyn 1000 ml Insulated Lunch Box w.Bag Mat—Stainless Steel Leak-Resistant Food Storage Container—100% BPA Free, Eco-Friendly & Reusable Lunch Box 23.5 oz (4.2 cups) total capacity [online], [retrieved Nov. 3, 2017], retrieved from the Internet, URL: <<https://www.amazon.com/dp/B06WGPKG1?psc=1>>; 8 color pages, published date unknown, but for purposes of patent prosecution presumably more than a year prior to the filed of the present application.

Zojirushi SL-JAE14SA Mr. Bento Stainless Steel Lunch Jar, Silver [online], [retrieved Nov. 3, 2017], Retrieved from the internet, URL: <https://www.amazon.com/dp/B000246GSE/ref=psdc_2457292011_tl_B06WGPKG1>; 9 color pages, published date unknown but for the purposes of patent prosecution presumably more than a year prior to the filing date of the present application.

(56)

References Cited

OTHER PUBLICATIONS

Kuuk Vacuum Food thermos Lunch Box Container Jar—58oz / 1.8 quart—Stainless Steel [online], [retrieved Nov. 3, 2017], Retrieved from the Internet, URL: <<https://www.amazon.com/dp/Boifstcdco?psc=1>>; 7 color pages, published date unknown but for the purposes of patent prosecution presumably more than a year prior to the filing date of the present application.

Insulated Stainless Steel Food Canisters (2 sizes) [online], [retrieved Nov. 3, 2017], Retrieved from the Internet, URL: <<https://mightyneat.com/shop/lunch-gear/food-containers/insulated-food-containers/insulated-stainless-steel-food-canisters-2>>; 3 color pages, published date unknown but for the purposes of patent prosecution presumably more than a year prior to the filing date of the present application.

Haers 1500ml Lunch Box Thermos for Food With Containers Stainless Steel Insulated Food Thermos Lunch Box -Ir-1500A-1 [online], [retrieved Nov. 3, 2017], Retrieved from the Internet, URL: <<https://www.solidrop.net/product/haers-1500ml-lunch-box-thermos-for-food-with-containers-stainless-steel-insulated-food-thermos-lunch-box-T-1500a-1.html>>; 8 color pages, published date unknown but for the purposes of patent prosecution presumably more than a year prior to the filing date of the present application.

Vacuum Insulated Lunch Box, Thermal Insulating Stainless Steel Lunch Containers, 2.0L (0.53Gal) [online], [retrieved Nov. 3, 2017], Retrieved from the Internet, URL: <<https://www.mylifeunit.com/Vacuum-Insulated-Lunch-Box-Thermal-Insulating-Stainless-Steel-Lunch-Containers-2.0L-0.53Gal>>; 12 color pages, published date unknown but for the purposes of patent prosecution presumably more than a year prior to the filing date of the present application.

650ml Stainless Steel Vacuum Insulation Barrels Boxes Portable Lunch Box Soup Bucket [online], [retrieved Nov. 3, 2017], Retrieved from the Internet, URL: <<http://www.11street.my/productdetail/650ml-stainless-steel-vacuum-insulation-barrels-12481058>>; 3 color pages, published date unknown but for the purposes of patent prosecution presumably more than a year prior to the filing date of the present application.

Insulated Lunch Box with Lunch Bag Stainless Steel Food Carrier/ Food Container/Tiffin Containers Portion Control Containers/ Thermos/Indian Tiffin for Hot Food—Hold Warm for 3 Hours, 1.5L [online], [retrieved Nov. 3, 2017], Retrieved from the Internet, URL: <<https://www.amazon.com/Insulated-Stainless-Carrier-Container-Containers/dp/B01N11KHMP>>; 11 color pages, published date unknown but for the purposes of patent prosecution presumably more than a year prior to the filing date of the present application.

Haers 1.7L 2.2L Hot Food Thermos 304 Stainless Steel Insulated-Thermal Lunch Box with Spoon Thermos Bento with Food Containers [online], [retrieved Nov. 3, 2017], Retrieved from the Internet, URL: <<https://www.aliexpress.com/item/Haers-1-7L-2-2L-Hot-Food-Thermos-Container-304-Stainless-Steel-Insulated-Thermal-Lunch-Box/32558078179.html?spm=2114.40010708.4.34.fogSYz>>; 3 color pages, published date unknown but for the purposes of patent prosecution presumably more than a year prior to the filing date of the present application.

Flagship Thermos Insulated Stainless Steel Lunch Boxes for Adults 600ml/800ml/1000ml [online], [retrieved Nov. 3, 2017], Retrieved from the Internet, URL: <<http://www.globalsources.com/si/AS/>

zhekiang-Haoqi/6008831883155/odtl/Flagship-Thermos-Insulated-Stainless-Steel-Lunch-Boxes/1091882260.htm>; 3 color pages, published date unknown but for the purposes of patent prosecution presumably more than a year prior to the filing date of the present application.

Camel Flasks Stainless Steel Lunch Box, 1.8 Liters [online], [retrieved Nov. 3, 2017], Retrieved from the Internet, URL: <<http://mudraretail.com/product/camel-flasks-stainless-steel-lunch-box-1-8-liters>>; 3 color pages, published date unknown but for the purposes of patent prosecution presumably more than a year prior to the filing date of the present application.

Power Plus Stainless Steel Containers Lunch Box, 3-Pieces (h55) [online], [retrieved Nov. 3, 2017], Retrieved from the Internet, URL: <<https://www.amazon.in/Power-Plus-Stainless-Containers-3-Pieces/dp/B00IUDUWQ6>>; 4 color pages, published date unknown but for the purposes of patent prosecution presumably more than a year prior to the filing date of the present application.

Stainless-Steel Vacuum Container, 9 oz. [online], [retrieved Nov. 3, 2017], Retrieved from the Internet, URL: <<https://www.llbean.com/llb/shop/79228?feat=506838-GN3&page=stainless-steel-vacuum-container-9-oz&csp=f>>; 6 color pages, published date unknown but for the purposes of patent prosecution presumably more than a year prior to the filing date of the present application.

Zojirushi 101 vol. 79, Sep. 2015 [online], [retrieved Nov. 3, 2017], Retrieved from the Internet, URL: <http://www.zojirushi.com/mailmagazine/back_issue/101toppage_sep15.html>; 6 color pages, published date unknown but for the purposes of patent prosecution presumably more than a year prior to the filing date of the present application.

Insulated Thermal Bento Lunch Jar Zojirushi Classic [online], [retrieved Nov. 3, 2017], Retrieved from the Internet, URL: <<https://casabento.com/shop/en/bento-boxes-zojirushi/369-insulated-thermal-bento-lunch-jar-zojirushi-classic-4974305197511.html>>; 4 color pages, published date unknown but for the purposes of patent prosecution presumably more than a year prior to the filing date of the present application.

Lunch box—Conservation des aliments [online], [retrieved Nov. 3, 2017], Retrieved from the Internet, URL: <https://www.boulangier.com/c/boite-de-rangement#message_code=20> <<https://www.boulangier.com/c/boite-de-rangement>>; 63 color pages, published date unknown but for the purposes of patent prosecution presumably more than a year prior to the filing date of the present application.

Thermos® 12-Ounce Vacuum-Insulated Food Jar with Microwaveable Container [online], [retrieved Nov. 3, 2017], Retrieved from the Internet, URL: <<https://www.bedbathandbeyond.com/store/product/thermos-reg-12-ounce-vacuum-insulated-food-jar-with-microwaveable-container/1041717943>>; 2 color pages, published date unknown but for the purposes of patent prosecution presumably more than a year prior to the filing date of the present application.

Yeti. Drinkware. 2019. <URL:https://www.yeti.com/en_US/drinkware>. (Year: 2019).

Yeti. Accessories. 2019. <URL:https://www.yeti.com/en_US/accessories/for-rambler>. (Year: 2019).

* cited by examiner

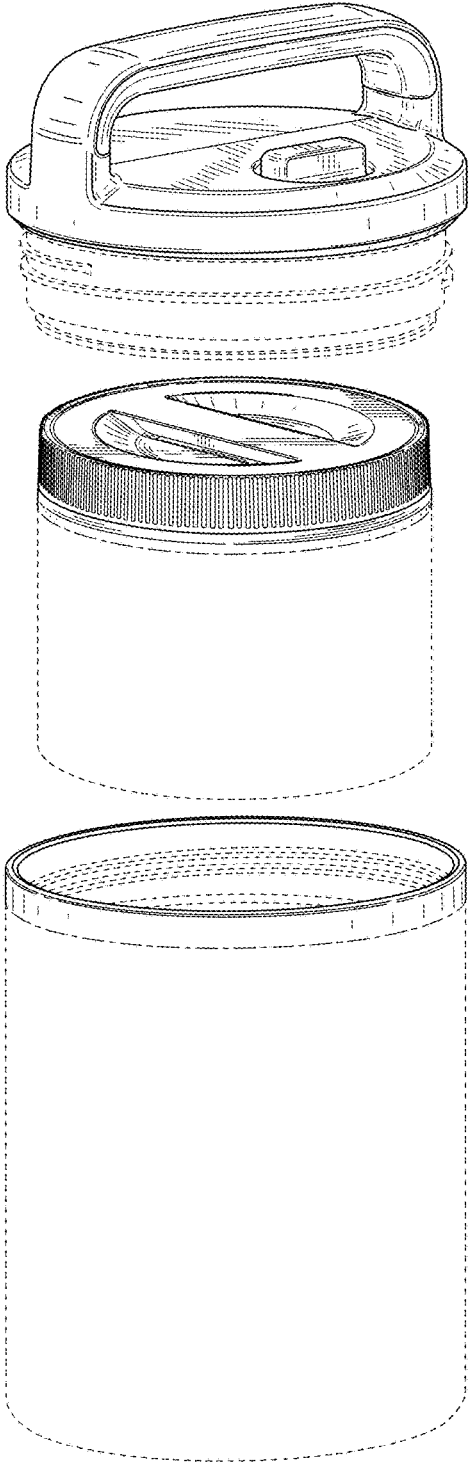


FIG. 1

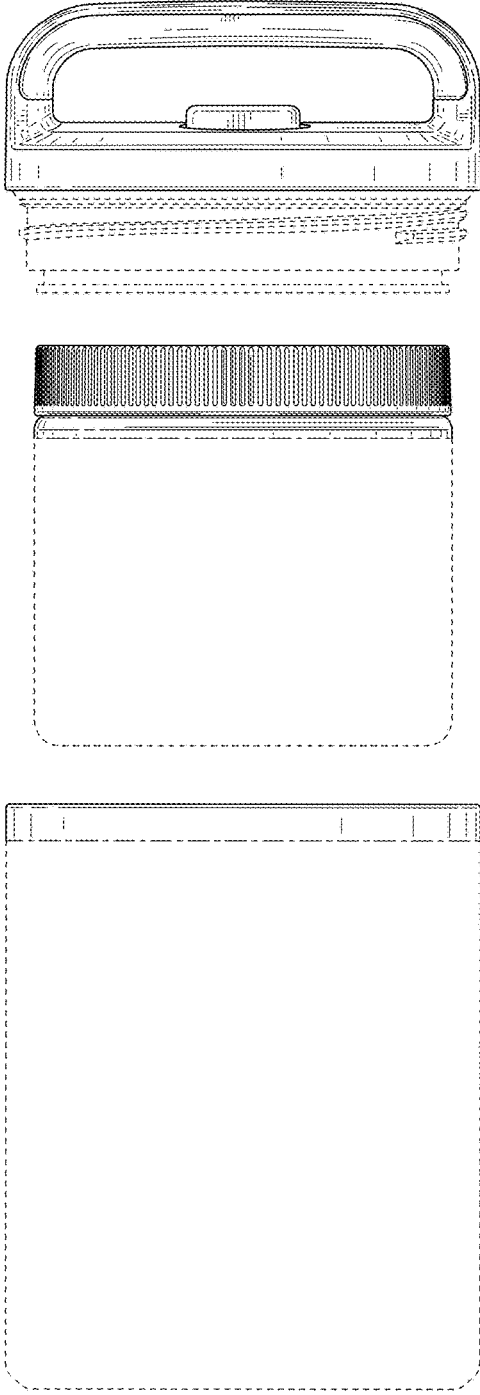


FIG. 2

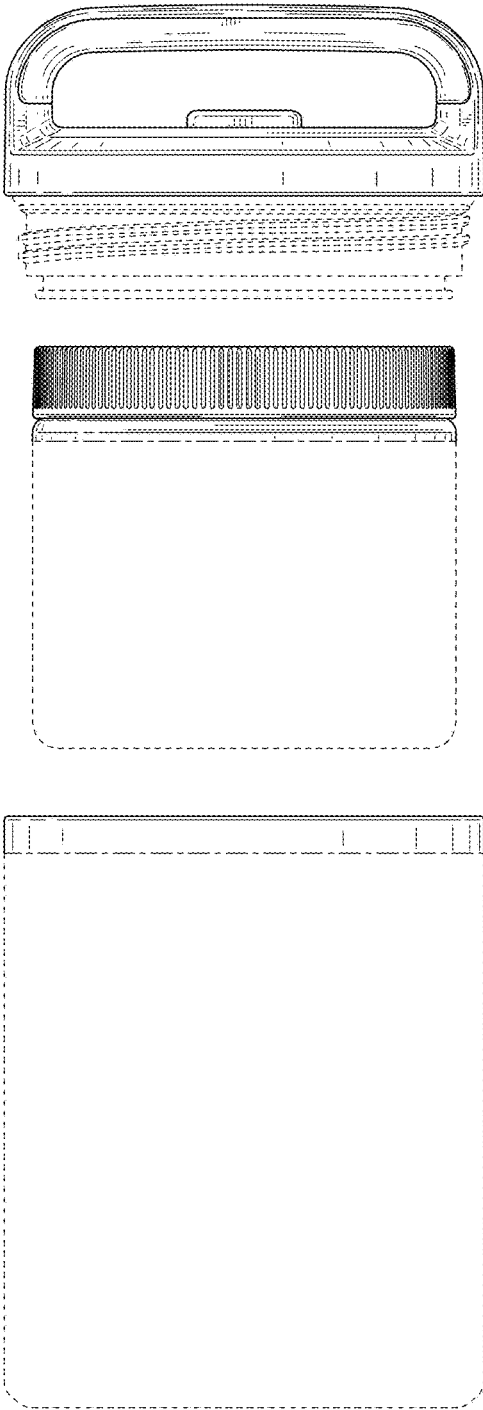


FIG. 3

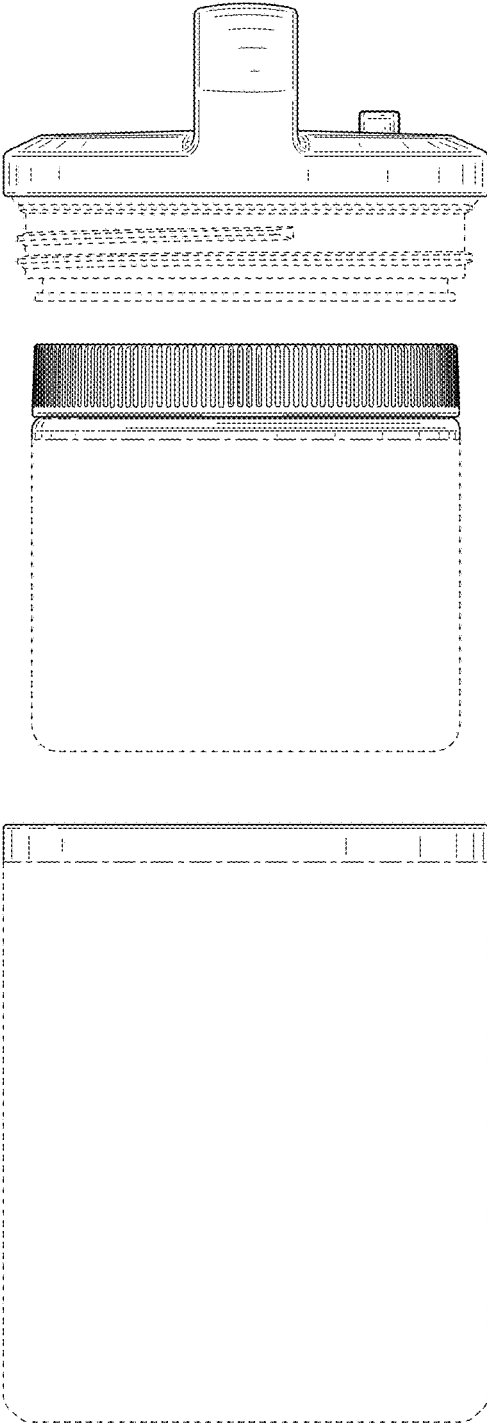


FIG. 4

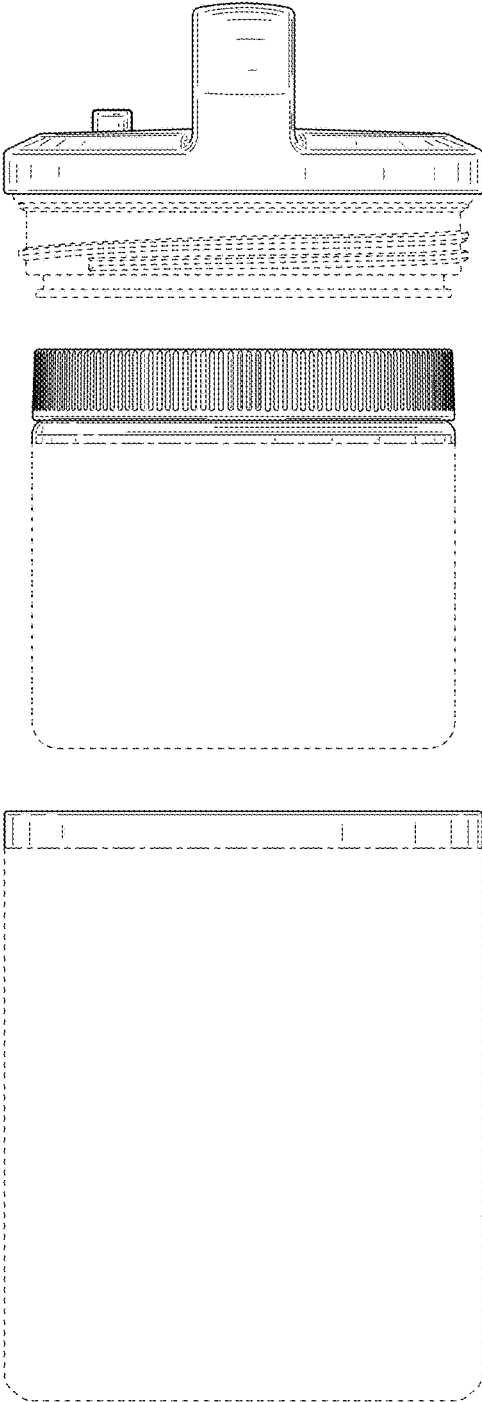


FIG. 5

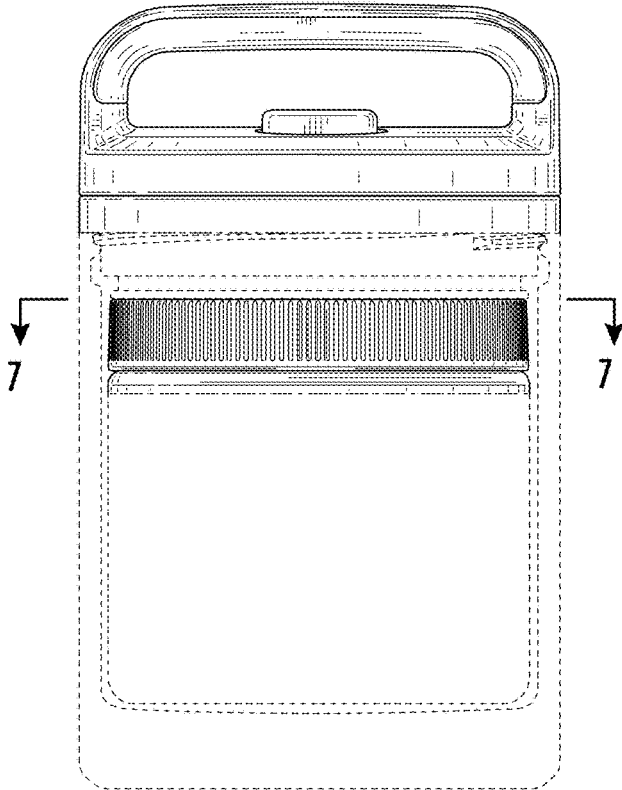


FIG. 6

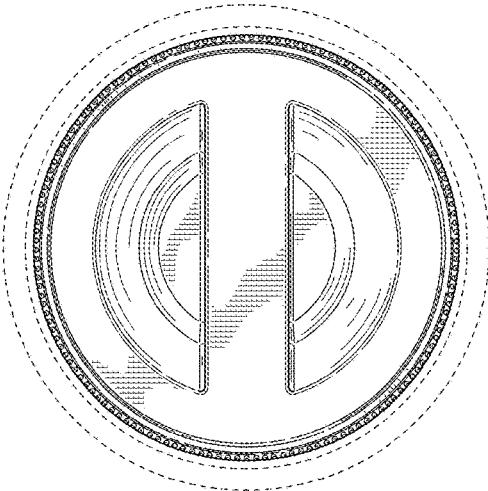


FIG. 7