



(12) **United States Design Patent**  
**Kuka**

(10) **Patent No.:** **US D855,720 S**  
(45) **Date of Patent:** **\*\* Aug. 6, 2019**

(54) **TRAINING BAG STAND**  
(71) Applicant: **Move Strong Functional Fitness Equipment LLC**, Chattanooga, TN (US)  
(72) Inventor: **Jared Kuka**, Chattanooga, TN (US)  
(73) Assignee: **MoveStrong Functional Fitness Equipment, LLC**, Charleston, SC (US)

4,482,150 A \* 11/1984 Levine ..... A63B 69/201 482/90  
4,557,478 A \* 12/1985 Levine ..... A63B 69/201 482/89  
D291,339 S \* 8/1987 Charles ..... D21/787  
5,050,866 A \* 9/1991 Fucci ..... A63B 69/205 473/483  
D335,513 S \* 5/1993 Gaetano ..... D21/787  
D362,477 S \* 9/1995 Bluestein ..... D21/671  
5,556,369 A \* 9/1996 Roberts ..... A63B 17/00 482/131  
D386,448 S \* 11/1997 Vidal ..... D11/131

(\*\*) Term: **15 Years**

(21) Appl. No.: **29/598,491**

(22) Filed: **Mar. 27, 2017**

(51) **LOC (12) Cl.** ..... **21-02**

(52) **U.S. Cl.**  
USPC ..... **D21/686**

(58) **Field of Classification Search**  
USPC ..... D21/671, 787, 798, 826, 694, 692, 691, D21/690, 688, 687, 686, 684, 679, 673, D21/662; 482/91, 8, 44, 24, 140, 139, 482/131, 130, 129, 128, 127, 126, 125, 482/124, 123, 122, 121, 115, 112, 103, 482/87, 90, 83, 138; 473/428, 426, 483; 368/10; 135/140  
CPC ..... A63B 21/0552; A63B 21/4035; A63B 21/0557; A63B 21/0442; A63B 21/00069; A63B 21/4043; A63B 2208/0233; A63B 21/04; A63B 21/1609; A63B 21/154; A63B 21/00043; A63B 2023/006; A63B 21/00185; A63B 21/1663

See application file for complete search history.

(56) **References Cited**

**U.S. PATENT DOCUMENTS**

741,966 A \* 10/1903 Hershheim ..... A63B 21/0552 482/125  
4,403,772 A \* 9/1983 Stangle ..... A63B 17/00 482/83

*Primary Examiner* — Ryan Harvey  
(74) *Attorney, Agent, or Firm* — Patterson Intellectual Property Law, P.C.; Ryan D. Levy

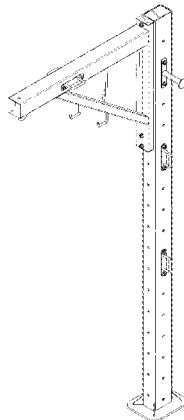
(57) **CLAIM**

What is claimed is the ornamental design for a training bag stand, as shown and described.

**DESCRIPTION**

FIG. 1 is a front perspective view showing the training bag stand of Applicant's invention.  
FIG. 2 is a lower perspective view of the training bag stand of Applicant's invention.  
FIG. 3 is a side view of the training bag stand of Applicant's invention.  
FIG. 4 is a side view of the training bag stand of Applicant's invention.  
FIG. 5 is a front view of the training bag stand of Applicant's invention.  
FIG. 6 is a rear view of the training bag stand of Applicant's invention.  
FIG. 7 is a top view of the training bag stand of Applicant's invention; and,  
FIG. 8 is a bottom view of the training bag stand of Applicant's invention.  
The broken line showing of portions of the training bag stand depicts environment and forms no part of the claim.

**1 Claim, 5 Drawing Sheets**





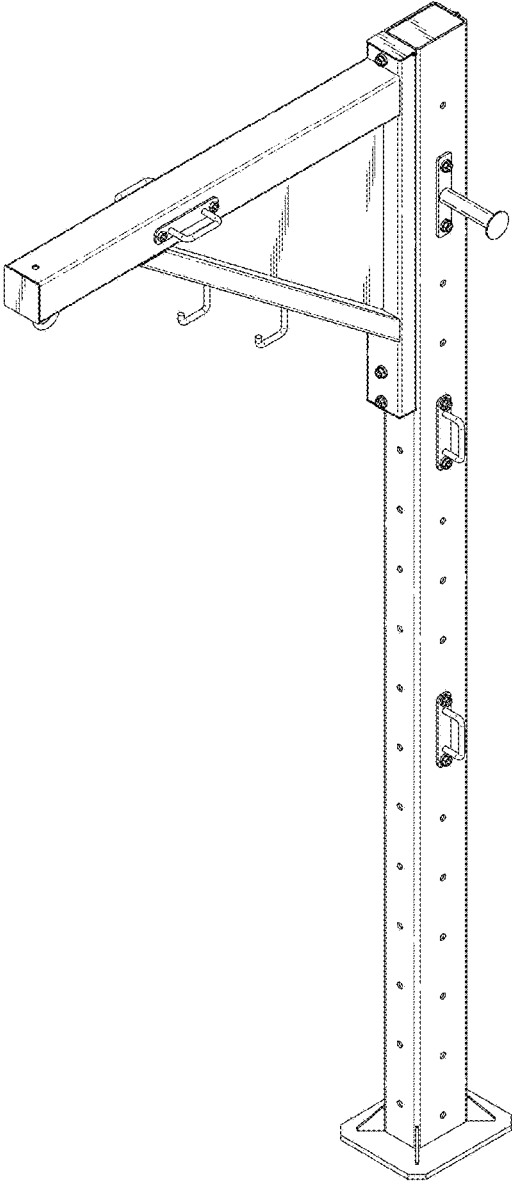


FIG. 1

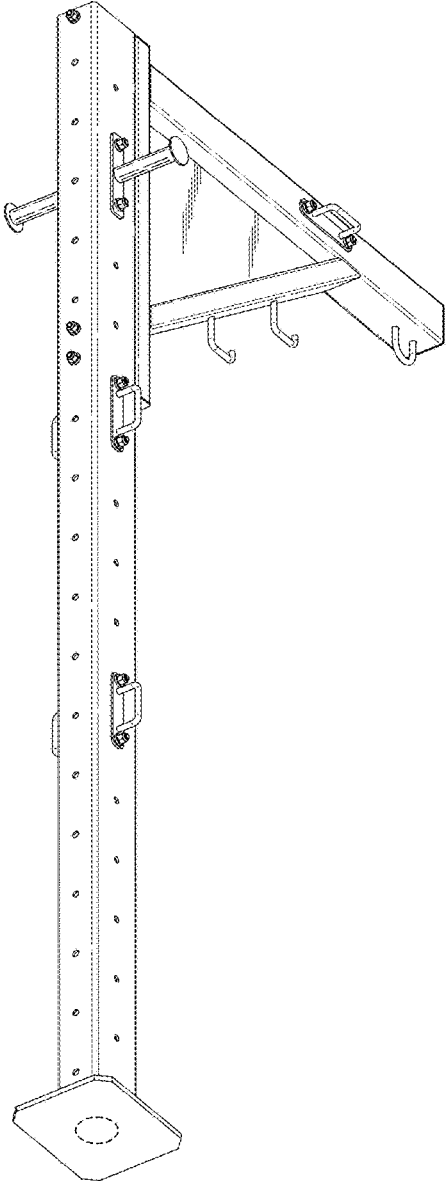


FIG. 2

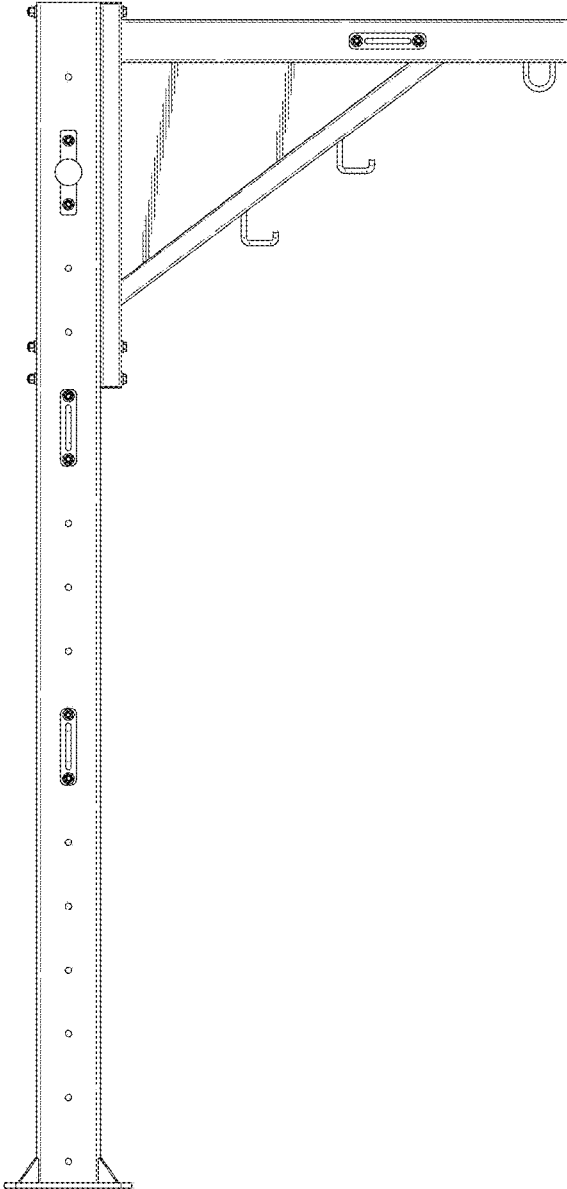


FIG. 3

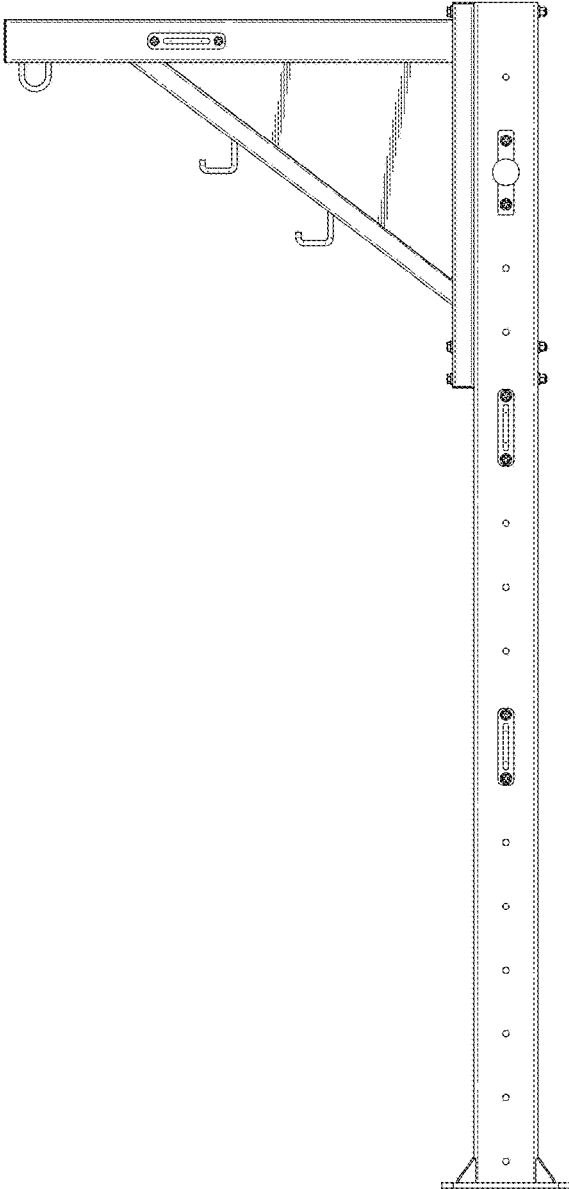


FIG. 4

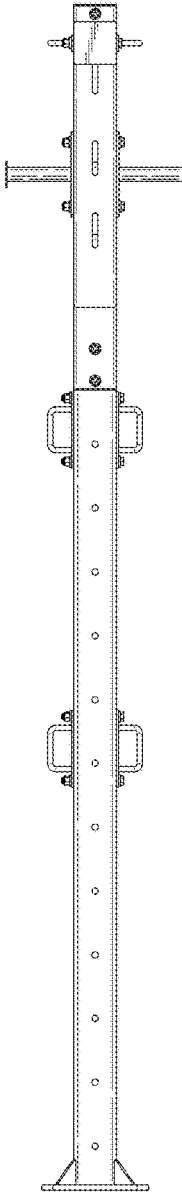


FIG. 5

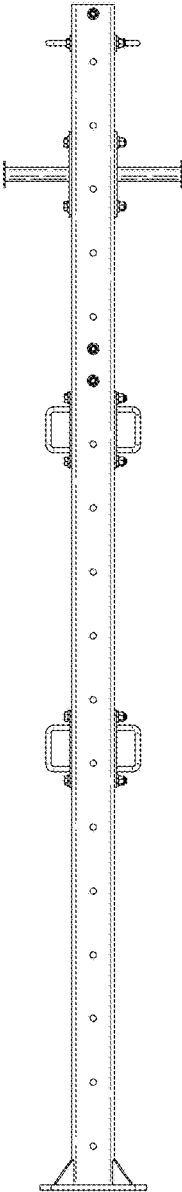


FIG. 6

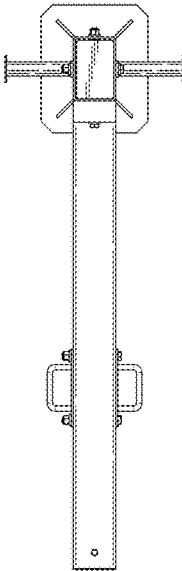


FIG. 7

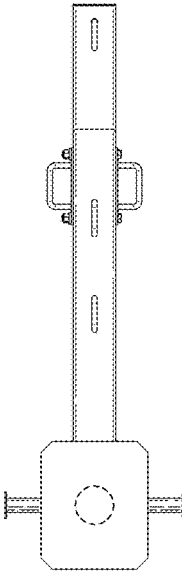


FIG. 8