



(12) **United States Design Patent**
McGee

(10) **Patent No.:** **US D990,750 S**
(45) **Date of Patent:** **** Jun. 27, 2023**

(54) **LIGHTING FIXTURE**

- (71) Applicant: **W Schonbek LLC**, Plattsburgh, NY (US)
- (72) Inventor: **Molly E. McGee**, Tiverton, RI (US)
- (73) Assignee: **W SCHONBEK LLC**, Plattsburgh, NY (US)
- (**) Term: **15 Years**
- (21) Appl. No.: **29/820,691**

- (22) Filed: **Dec. 23, 2021**
- (51) **LOC (14) Cl.** **26-05**
- (52) **U.S. Cl.**
USPC **D26/89**
- (58) **Field of Classification Search**
USPC D26/72, 80-90, 92, 133, 134
CPC F21S 8/04; F21S 8/043; F21S 8/046; F21S 8/06; F21S 8/061; F21S 8/063; F21S 8/065; F21S 8/066; F21S 8/068
See application file for complete search history.

(56) **References Cited**

U.S. PATENT DOCUMENTS

D190,193	S	*	4/1961	Cameron	D26/134
D371,216	S	*	6/1996	Miranda	D26/134
D374,303	S	*	10/1996	Miranda	D26/134
D374,304	S	*	10/1996	Sung	D26/136
D384,770	S	*	10/1997	Bray	D26/134
D389,950	S	*	1/1998	Chiang	D7/530
D422,072	S	*	3/2000	Blateri	D23/385
D603,553	S	*	11/2009	Orozco	D26/136
D745,734	S	*	12/2015	Chen	D26/89
D814,096	S	*	3/2018	Hewitt	D26/89
D849,983	S	*	5/2019	Neal	D26/72
D861,967	S	*	10/2019	Lin	D26/110
10,619,822	B1	*	4/2020	Hsu	F21V 5/06
D895,883	S	*	9/2020	Duchaufour Lawrance	..	D26/86
D925,809	S	*	7/2021	Hsu	D26/89
D960,428	S	*	8/2022	Yuan	D26/118
D961,834	S	*	8/2022	Hoover	D26/82

OTHER PUBLICATIONS

Carl Fagerlund for Orrefors, Crystal Flushmount. First available circa 1970. Searched on Apr. 18, 2023. [https://www.1stdibs.com/furniture/lighting/chandeliers-pendant-lights/orrefors-crystal-flushmount-designed-carl-fagerlund-1970-sweden/id-f_29234902/] (Year: 1970).*

1stDibs, French Midcentury Cut Glass Light Fixture. First available circa 1950. Searched on Apr. 18, 2023. [https://www.1stdibs.com/furniture/lighting/chandeliers-pendant-lights/french-midcentury-cut-glass-light-fixture/id-f_31739962/] (Year: 1950).*

Italamp, Opera 316 Ceiling lamp. First available unknown. Searched on Apr. 18, 2023. [https://www.italamp.com/en/products/opera/ceiling/316-3164a-2] (Year: 2023).*

* cited by examiner

Primary Examiner — W. A. Teddy Falloway
Assistant Examiner — Melissa Adriane Santos
 (74) *Attorney, Agent, or Firm* — Heslin Rothenberg Farley & Mesiti P.C.

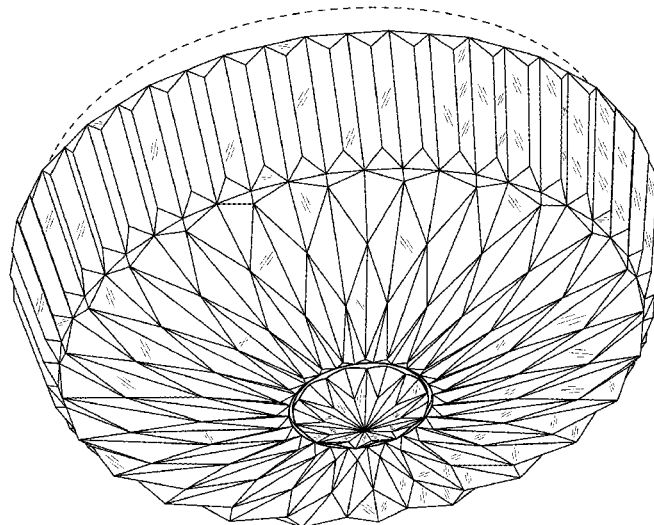
(57) **CLAIM**

The ornamental design for a lighting fixture, as shown and described.

DESCRIPTION

FIG. 1 is a front right perspective view from below of a lighting fixture according to the new design;
 FIG. 2 is a rear left perspective view from below thereof;
 FIG. 3 is a front elevational view thereof;
 FIG. 4 is a left side elevational view thereof;
 FIG. 5 is a right side elevational view thereof;
 FIG. 6 is a rear elevational view thereof;
 FIG. 7 is a top view thereof; and,
 FIG. 8 is a bottom view thereof.
 The broken lines in the drawings illustrate portions of the lighting fixture that form no part of the claimed design.

1 Claim, 6 Drawing Sheets



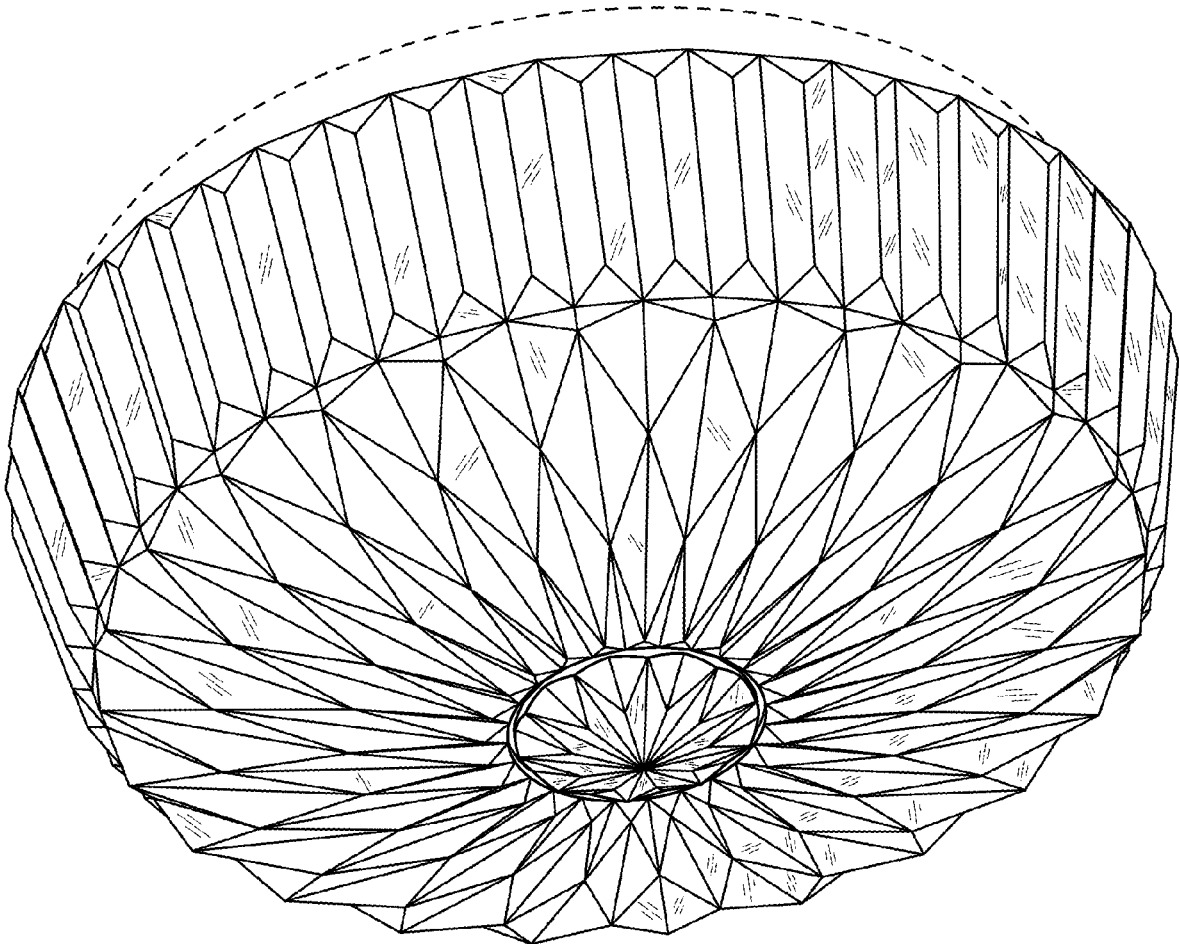


FIG. 1

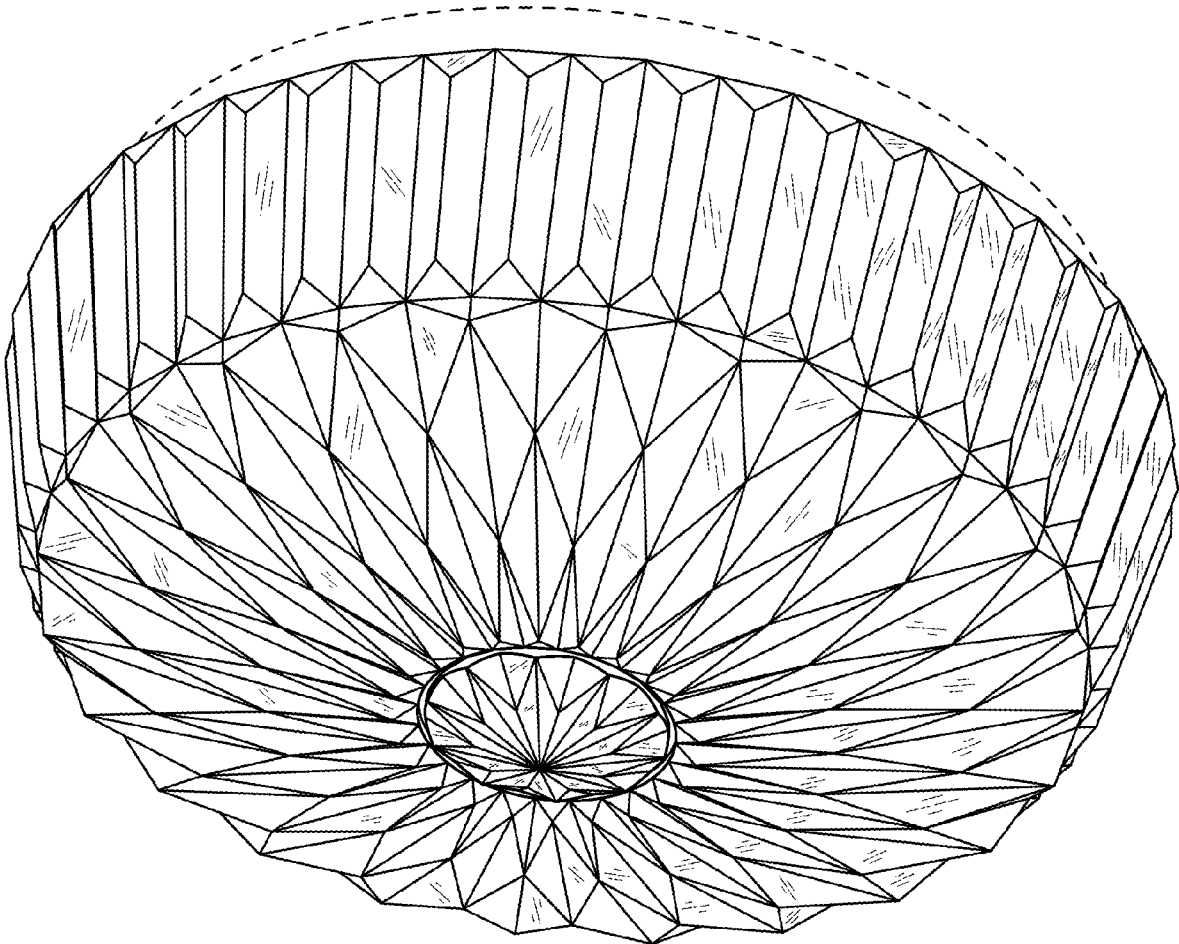


FIG. 2

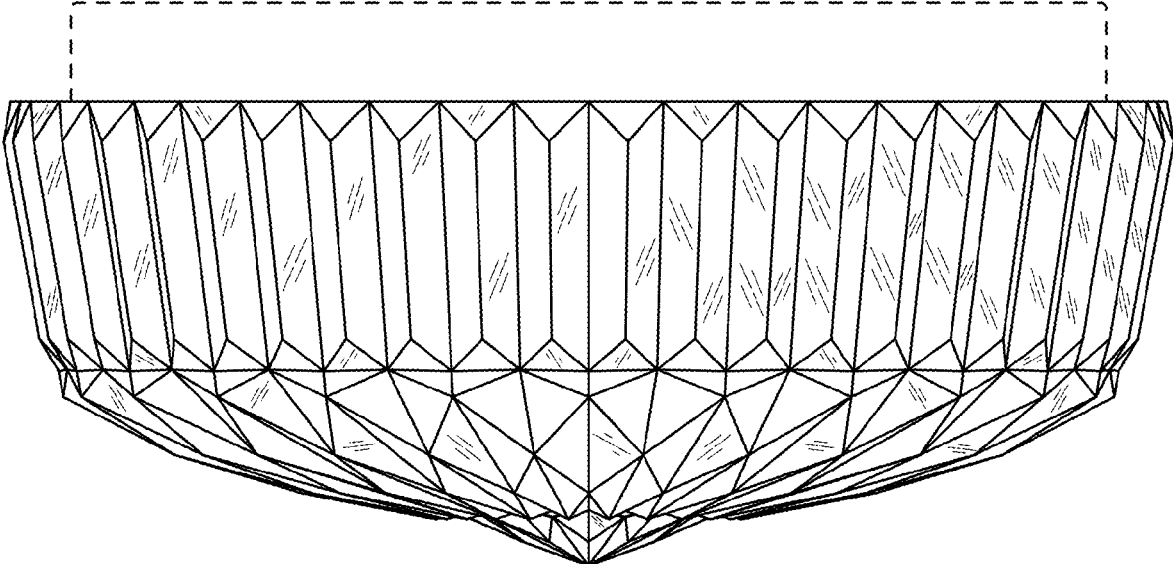


FIG. 3

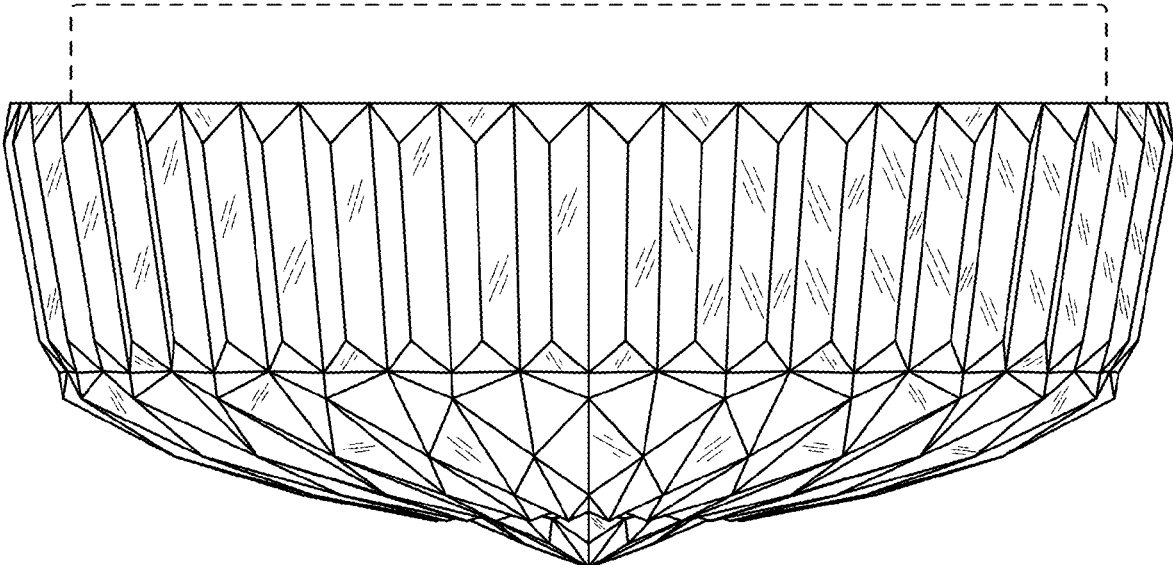


FIG. 4

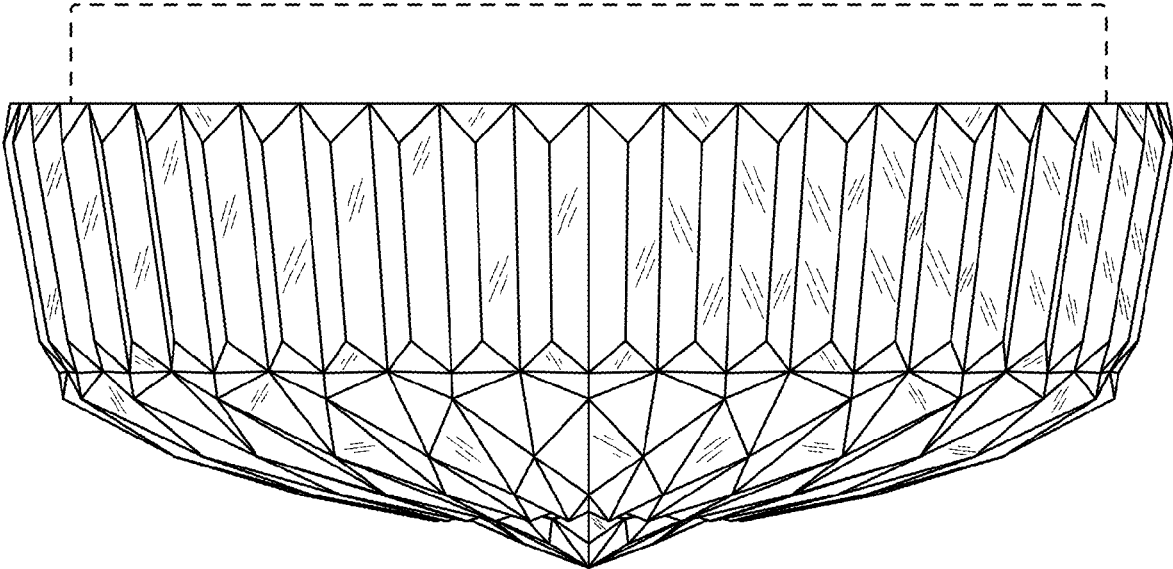


FIG. 5

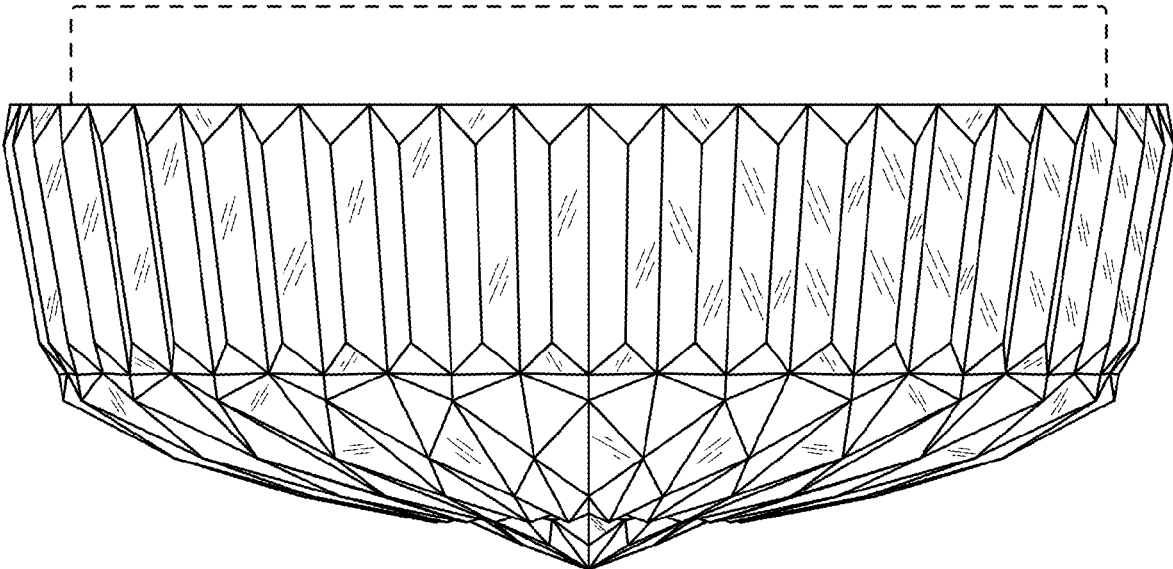


FIG. 6

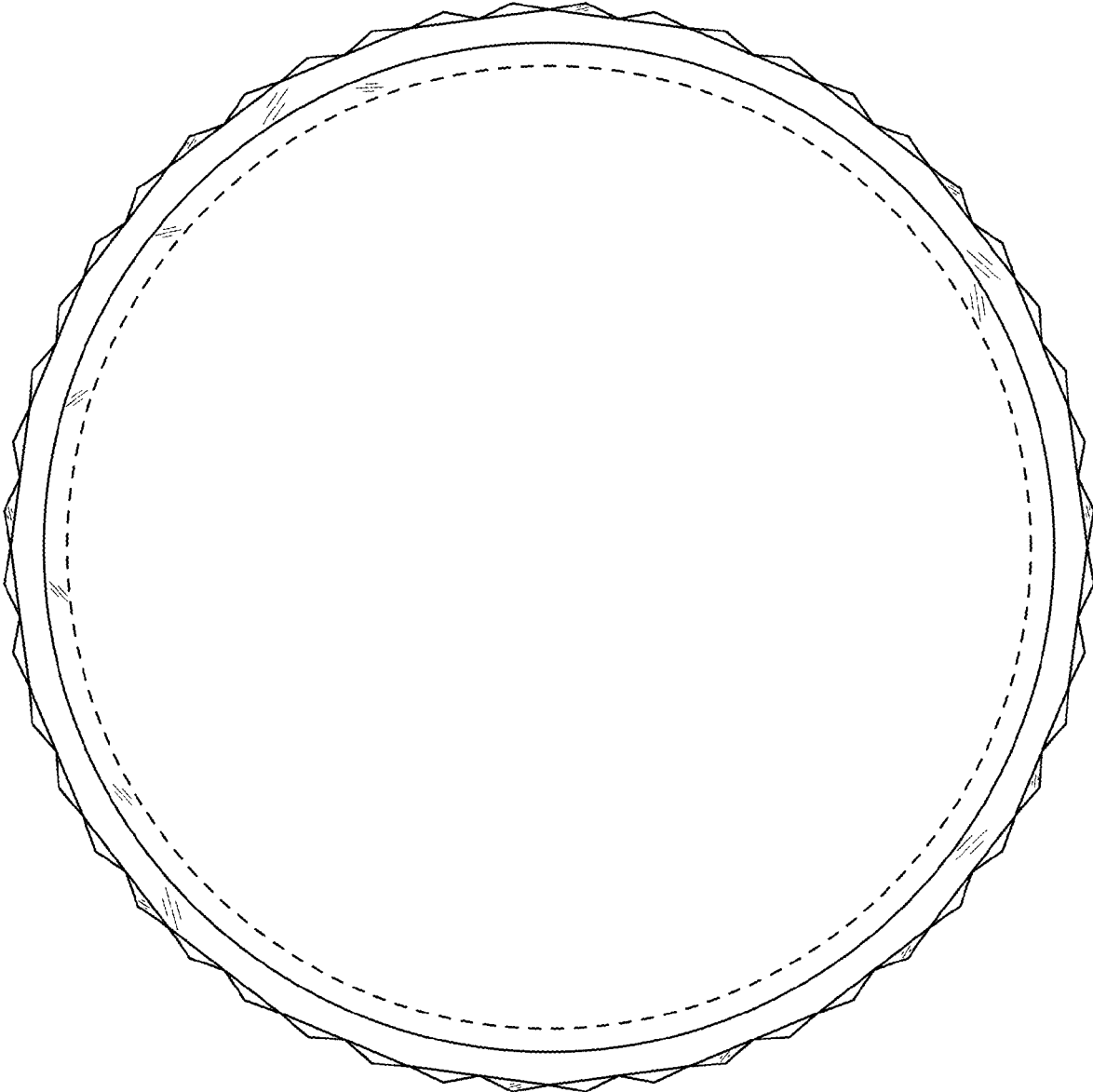


FIG. 7

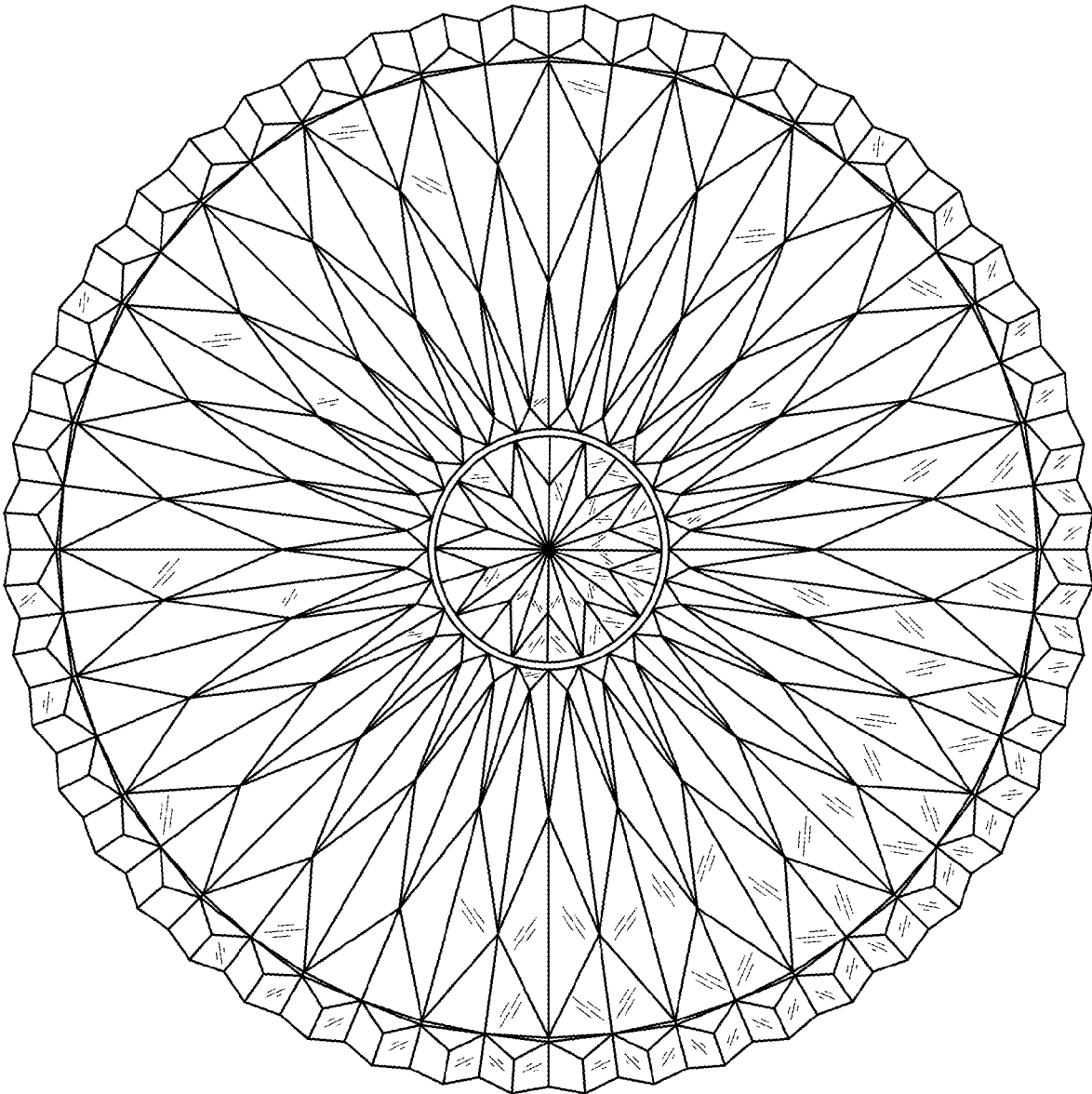


FIG. 8