



US00D791230S

(12) **United States Design Patent**
Nakai et al.

(10) **Patent No.:** **US D791,230 S**
(45) **Date of Patent:** **** Jul. 4, 2017**

(54) **TAPE CARTRIDGE FOR TAPE PRINTING MACHINE**

(71) Applicant: **BROTHER INDUSTRIES, LTD.,**
Nagoya-shi, Aichi-ken (JP)

(72) Inventors: **Shimako Nakai,** Nagoya (JP); **Masashi Tanizaki,** Kuwana (JP); **Tsutomu Kato,** Nagoya (JP)

(73) Assignee: **BROTHER INDUSTRIES, LTD.,**
Nagoya (JP)

(**) Term: **15 Years**

(21) Appl. No.: **29/553,187**

(22) Filed: **Jan. 29, 2016**

(30) **Foreign Application Priority Data**

Jul. 31, 2015 (JP) 2015-17038

(51) **LOC (10) Cl.** **18-02**

(52) **U.S. Cl.**
USPC **D18/56**

(58) **Field of Classification Search**
USPC D18/12, 43, 56; 360/132; 400/194, 195,
400/196, 207, 208, 234, 235.1, 247
CPC . B41J 15/044; B41J 32/00; B41J 17/32; B41J
33/52; B41J 33/56; B41J 35/36; G11B
23/08757
See application file for complete search history.

(56) **References Cited**

U.S. PATENT DOCUMENTS

4,859,097 A * 8/1989 Frerichs B41J 32/00
400/208
5,018,885 A * 5/1991 Uggetti B41J 33/52
206/206
5,030,022 A * 7/1991 Casey B41J 31/16
400/194

5,163,764 A * 11/1992 Falconieri B41J 32/00
400/208
5,224,784 A * 7/1993 Haftmann B41J 35/36
400/208
5,456,545 A * 10/1995 Sims B41J 35/36
400/207
5,469,319 A * 11/1995 Takeda G11B 23/08757
242/346
5,501,536 A * 3/1996 Kleve B41J 32/00
400/208
D372,269 S * 7/1996 Miyazaki 400/208
5,618,119 A * 4/1997 Misu B41J 2/325
400/208
5,915,859 A * 6/1999 Kubota B41J 33/56
400/202

(Continued)

Primary Examiner — Manpreet Matharu

Assistant Examiner — Suzanne Tisdell

(74) *Attorney, Agent, or Firm* — Oliff PLC

(57) **CLAIM**

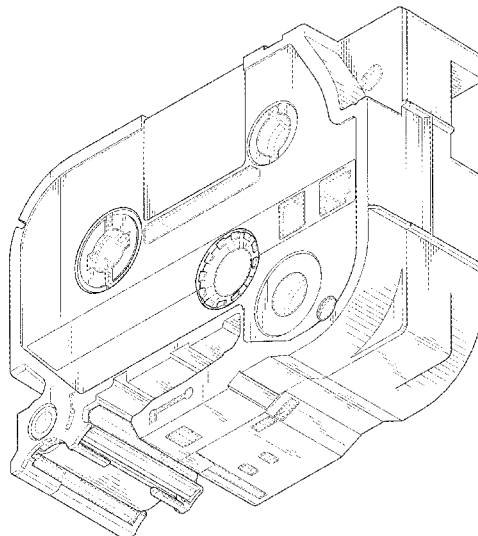
The ornamental design for a tape cartridge for tape printing machine, as shown and described.

DESCRIPTION

FIG. 1 is a front, bottom, right-side perspective view of tape cartridge for tape printing machine; FIG. 2 is a front view thereof; FIG. 3 is a top view thereof; FIG. 4 is a right-side view thereof; FIG. 5 is a left-side view thereof; FIG. 6 is a rear view thereof; FIG. 7 is a bottom view thereof; FIG. 8 is a rear, top, left-side perspective view thereof; and, FIG. 9 is a cross-sectional view taken along a line 9-9 in FIG. 2.

The broken lines depict environmental subject matter only and form no part of the claimed design.

1 Claim, 8 Drawing Sheets



(56)

References Cited

U.S. PATENT DOCUMENTS

6,027,266	A *	2/2000	Turner	B41J 17/32	
						400/208
D423,566	S *	4/2000	Hosono	D18/56	
D475,737	S *	6/2003	Nissim	D18/12	
D509,531	S *	9/2005	Geserich	D18/12	
D521,550	S *	5/2006	Kato	D18/56	
D523,470	S *	6/2006	Kato	D18/56	
D570,905	S *	6/2008	Yuen	347/86	
D593,595	S *	6/2009	Kubota	D18/12	
D594,503	S *	6/2009	Sakano	D18/12	
D647,127	S	10/2011	Mita et al.			
D656,541	S *	3/2012	Ko	D18/56	
D733,796	S *	7/2015	Yamazaki	D18/56	
D763,350	S *	8/2016	Whittall	D18/56	
2006/0233582	A1 *	10/2006	Horiuchi	B41J 15/044	
						400/208
2007/0172286	A1 *	7/2007	Pomfret	B41J 32/00	
						400/208
2007/0264071	A1 *	11/2007	Takahashi	B41J 15/044	
						400/208

* cited by examiner

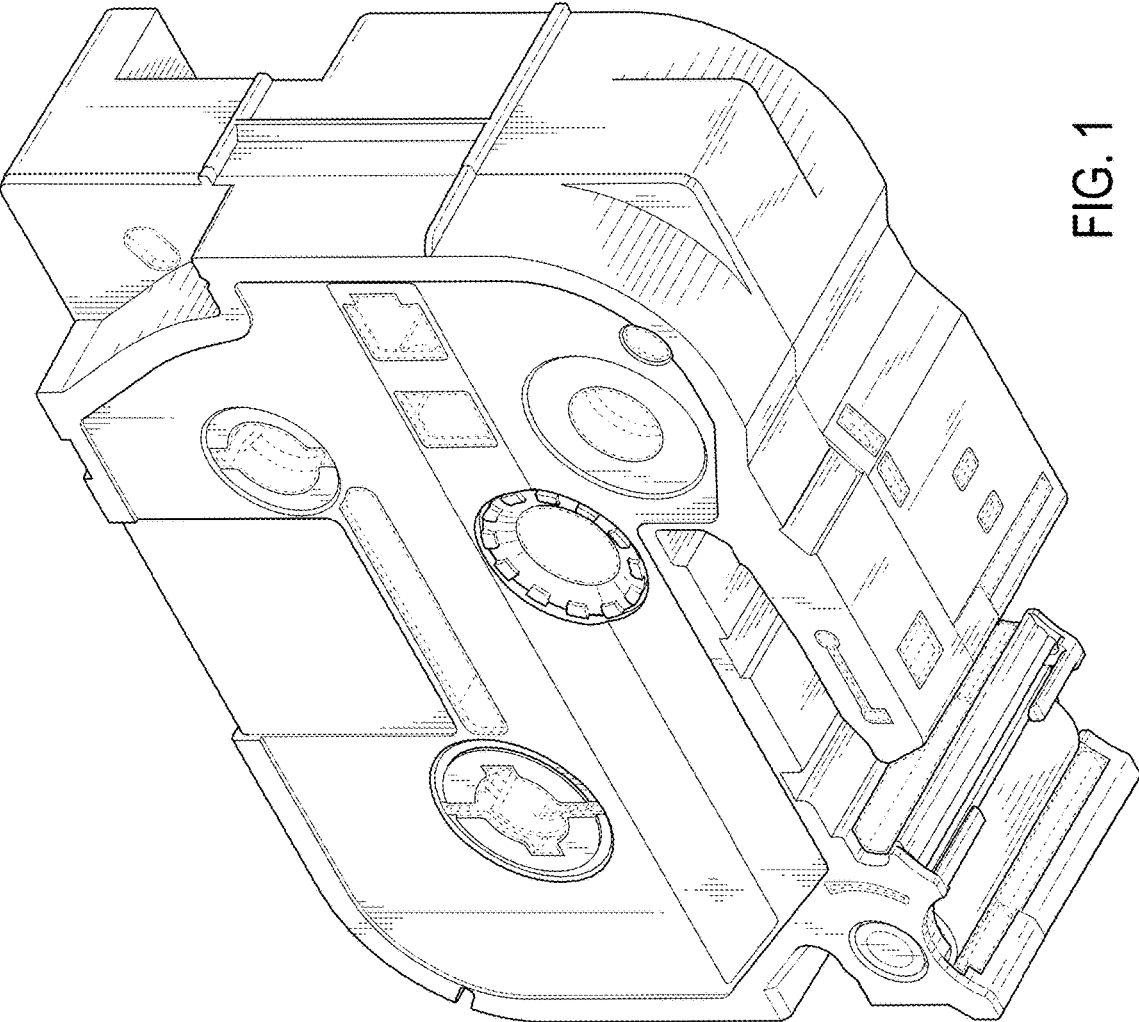


FIG. 1

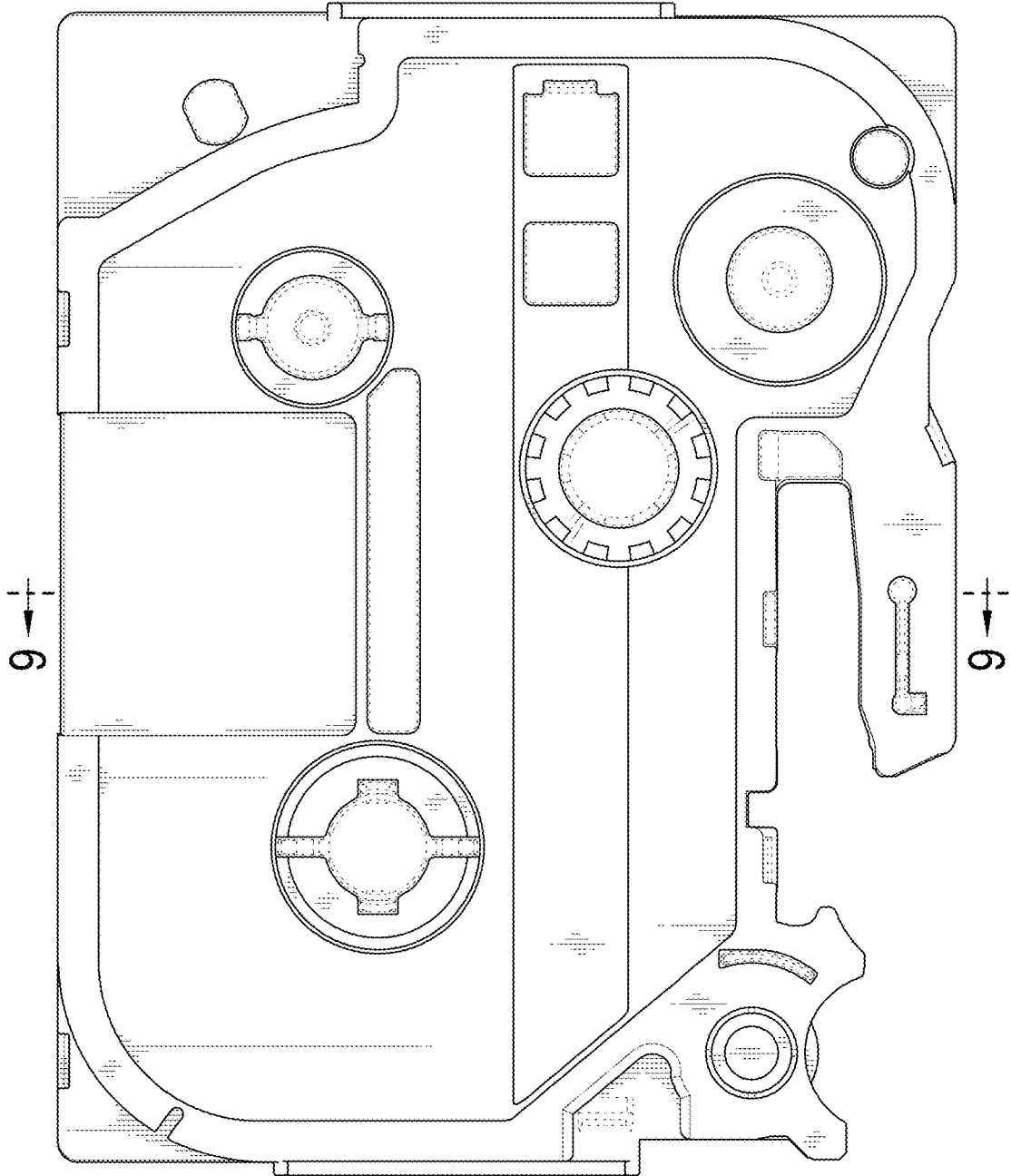


FIG. 2

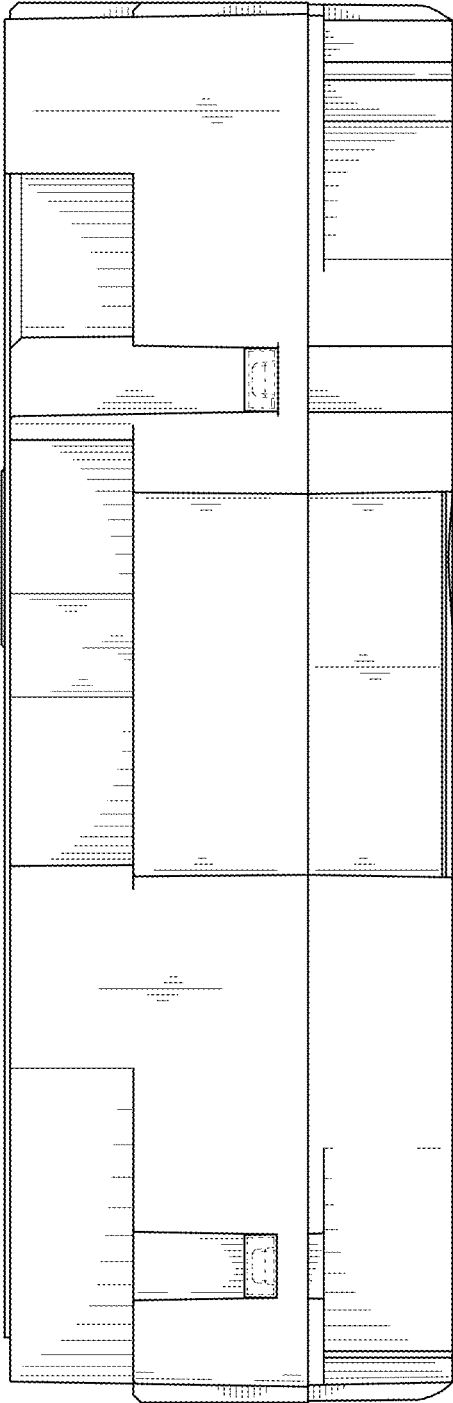


FIG. 3

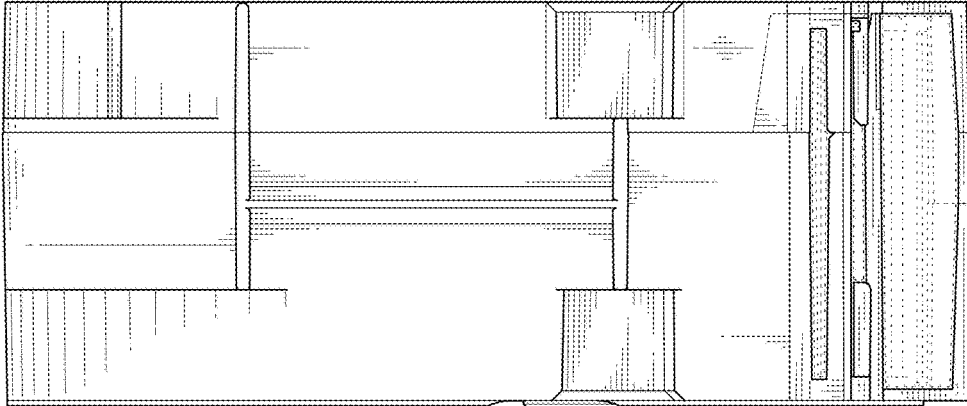


FIG. 5

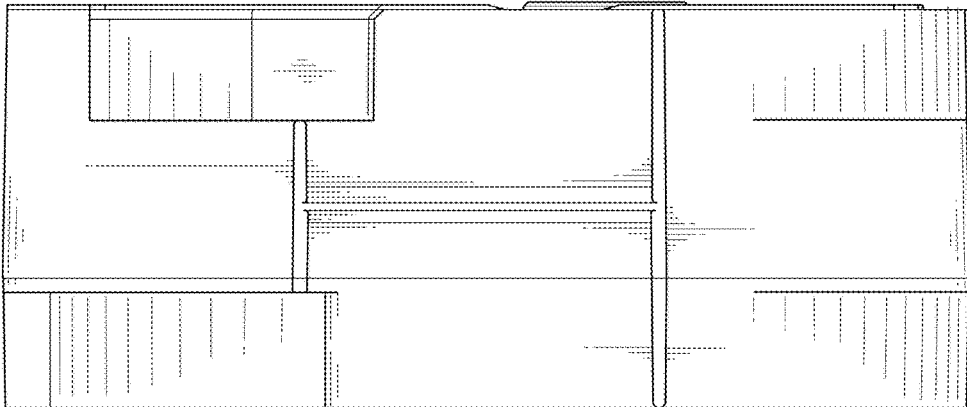


FIG. 4

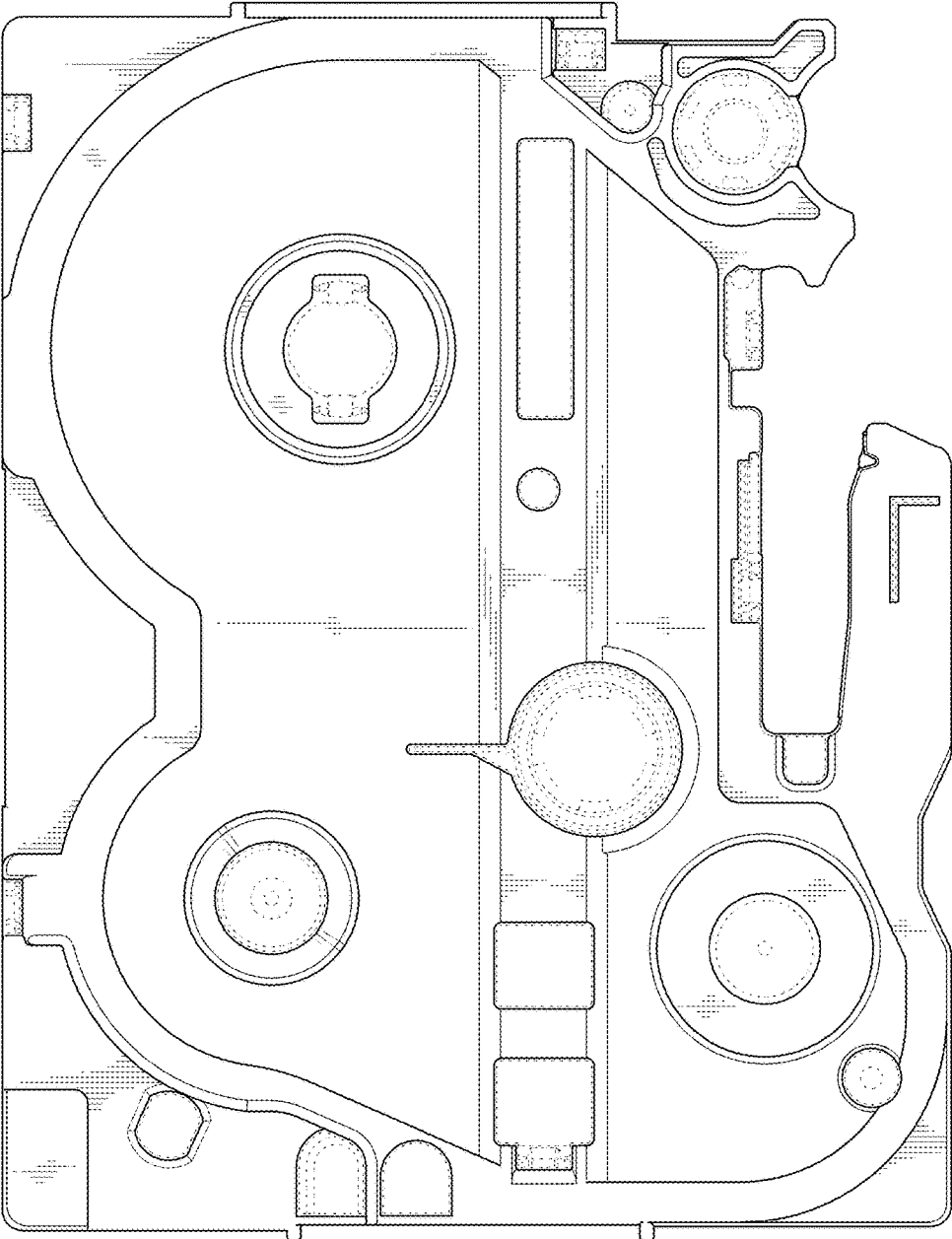


FIG. 6

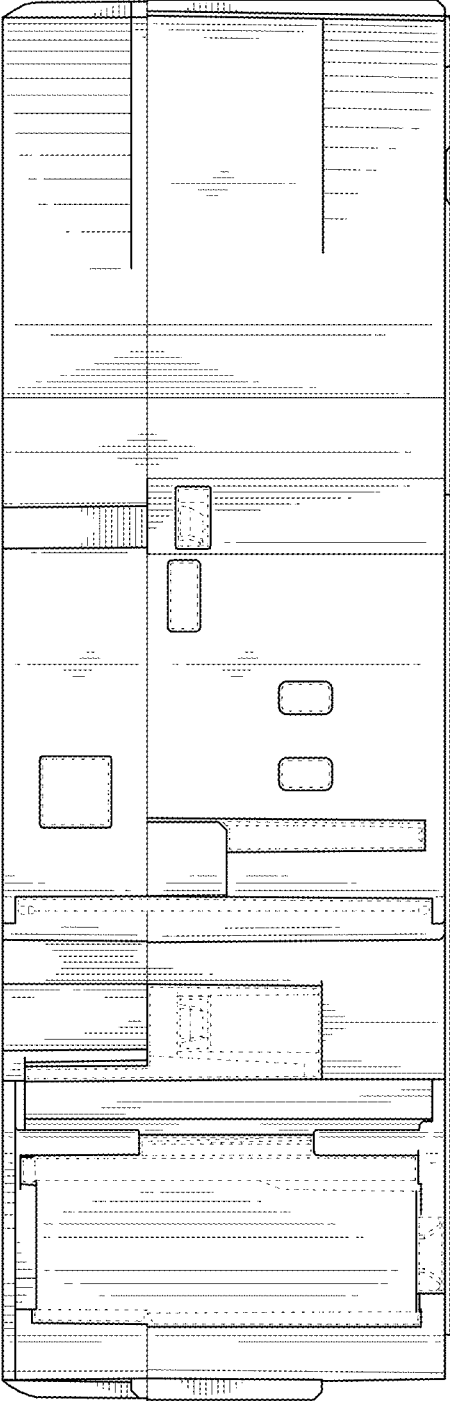


FIG. 7

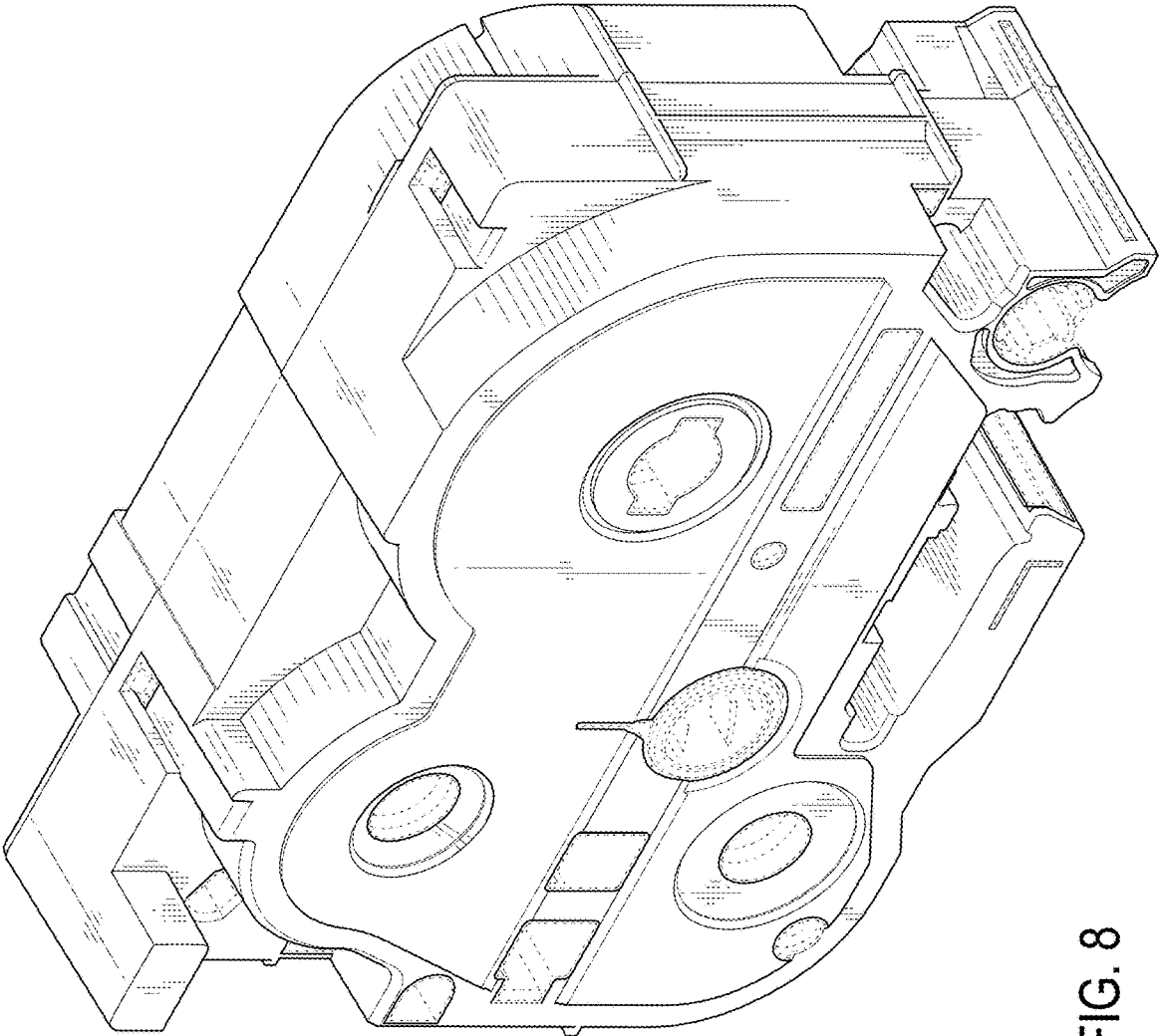


FIG. 8

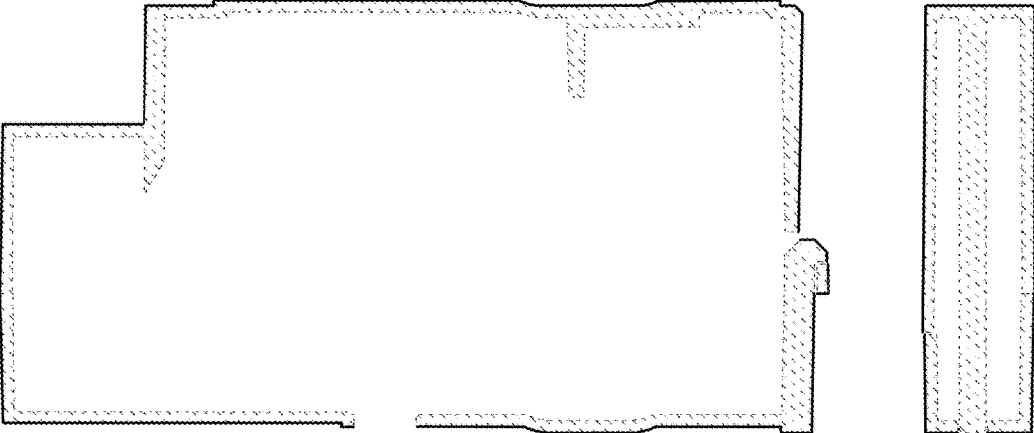


FIG. 9