



US00D375666S

United States Patent [19] Mountain

[11] Patent Number: Des. 375,666

[45] Date of Patent: **Nov. 19, 1996

[54] WRENCH

[76] Inventor: **Wallace S. Mountain**, 732 Musick Ave., Modesto, Calif. 95351-4730

[**] Term: **14 Years**

[21] Appl. No.: **26,331**

[22] Filed: **Jul. 25, 1994**

[52] U.S. Cl. **D8/25; D8/29**

[58] Field of Search D8/21, 25, 29;
81/113, 116, 120, 125, 128, 177.1, 177.2,
177.5, 121.1, 177.85

[56] **References Cited**

U.S. PATENT DOCUMENTS

D. 218,140	7/1970	Johannsen	D8/29
D. 319,760	9/1991	Justice	D8/25
898,997	9/1908	Sprague	81/121.1
1,578,114	3/1926	Fegley	81/177.85 X

FOREIGN PATENT DOCUMENTS

0293974 9/1969 Australia 81/120

Primary Examiner—B. J. Bullock
Assistant Examiner—Richelle Shelton
Attorney, Agent, or Firm—Harpman & Harpman

[57] **CLAIM**

The ornamental design for a wrench, as shown and described.

DESCRIPTION

FIG. 1 is an exploded perspective view of a wrench showing my new design;
FIG. 2 is a front elevational view of the wrench;
FIG. 3 is a right side elevational view thereof;
FIG. 4 is a left side elevational view thereof;
FIG. 5 is a top plan view thereof;
FIG. 6 is a bottom plan view thereof; and,
FIG. 7 is a rear elevational view of the wrench.

1 Claim, 4 Drawing Sheets

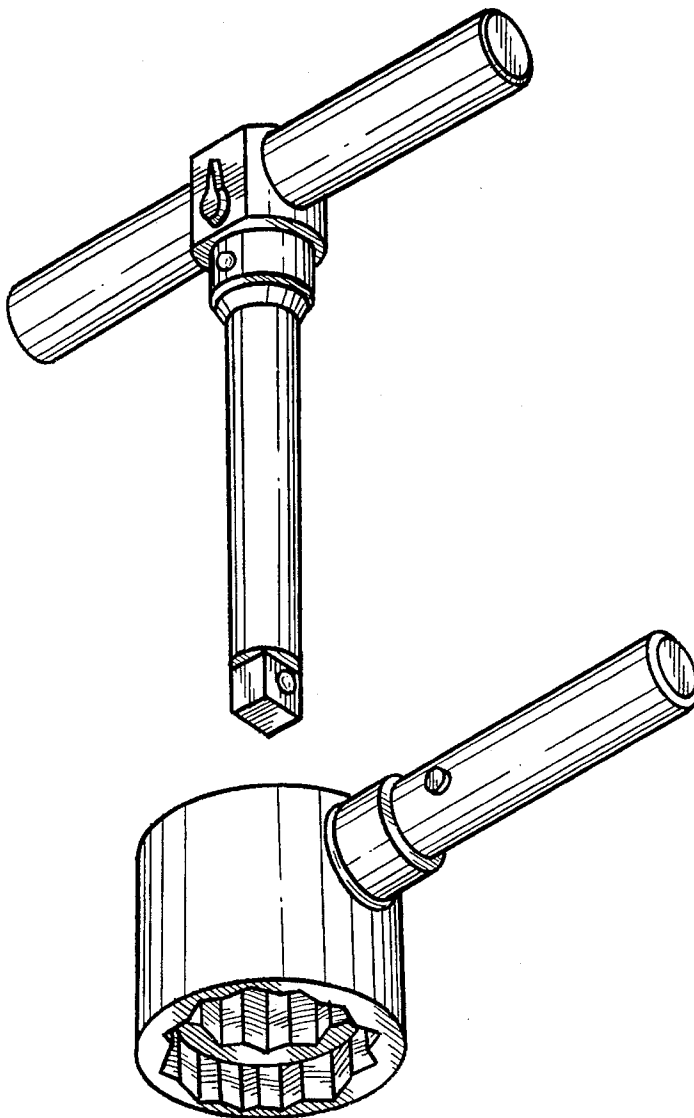


FIG. 1.

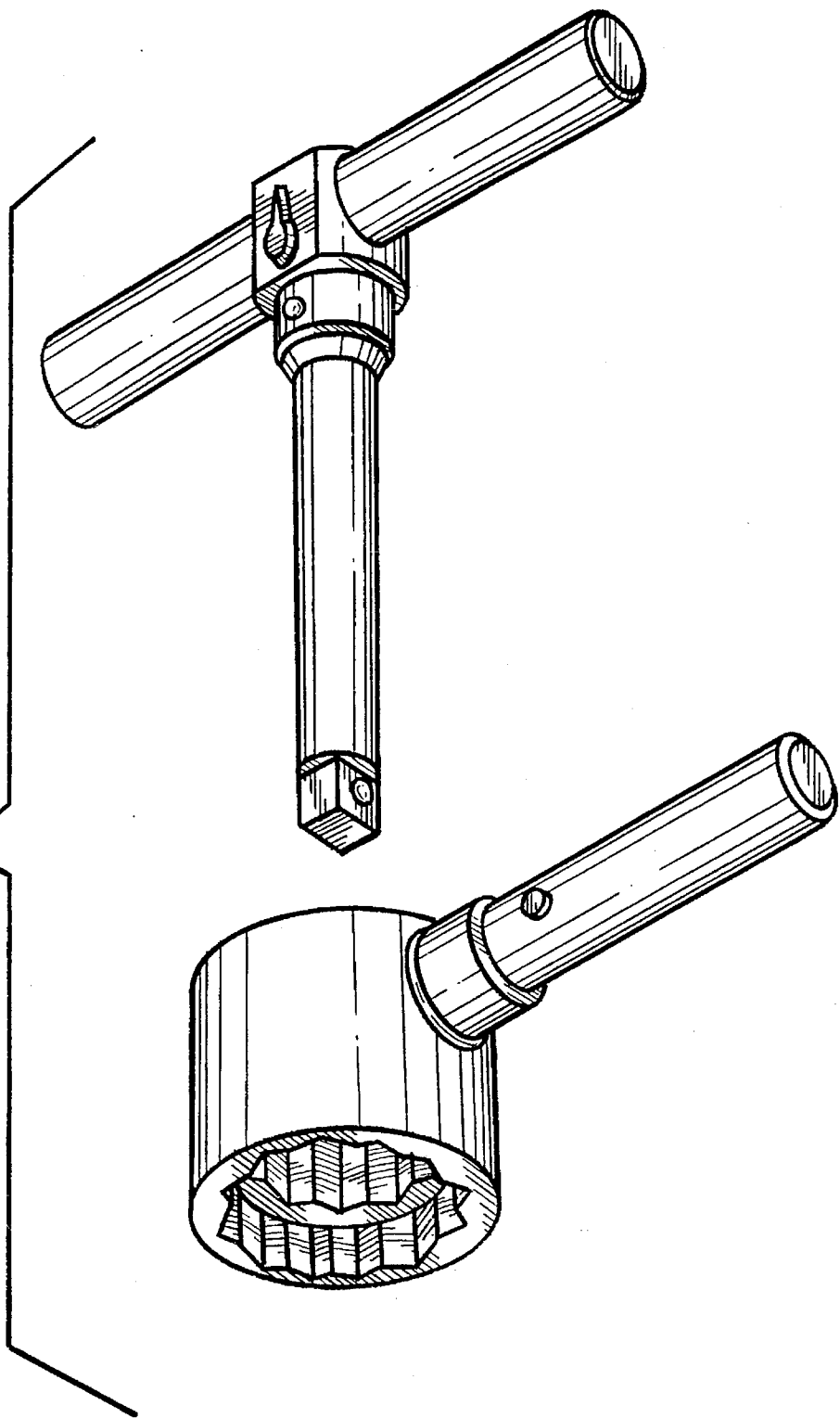


FIG. 5.

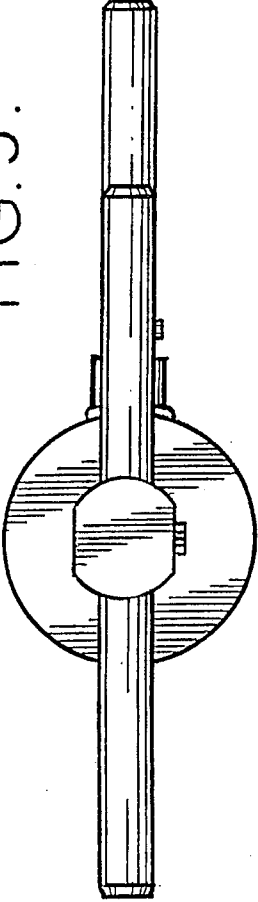


FIG. 3.

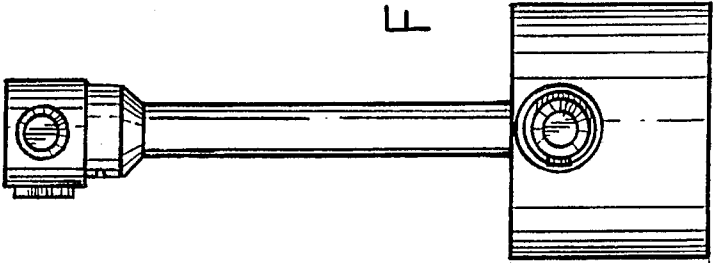
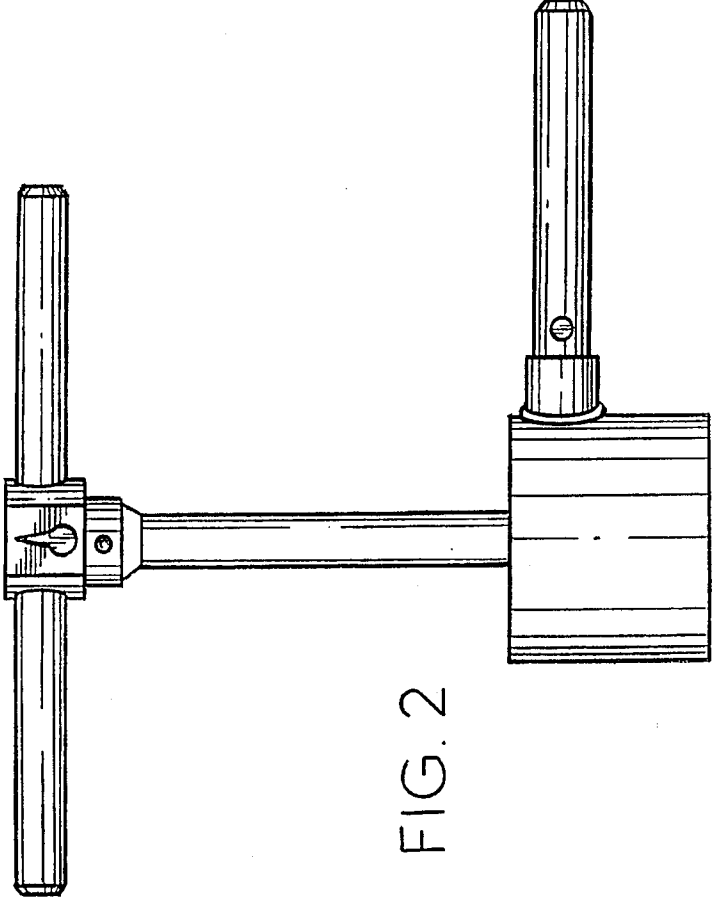


FIG. 2.



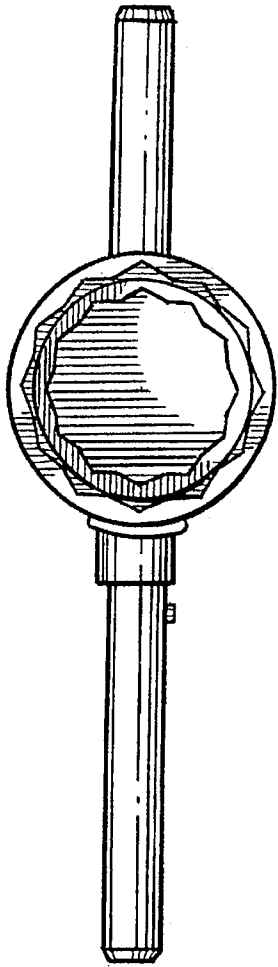


FIG. 6.

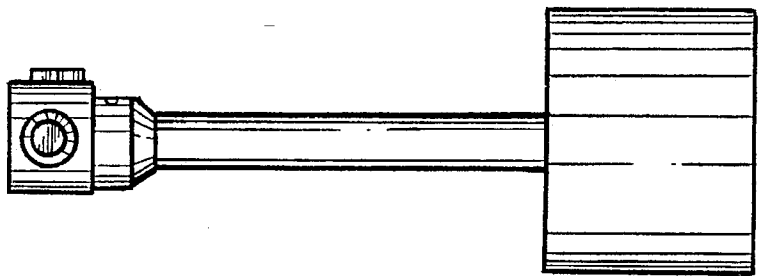


FIG. 4.

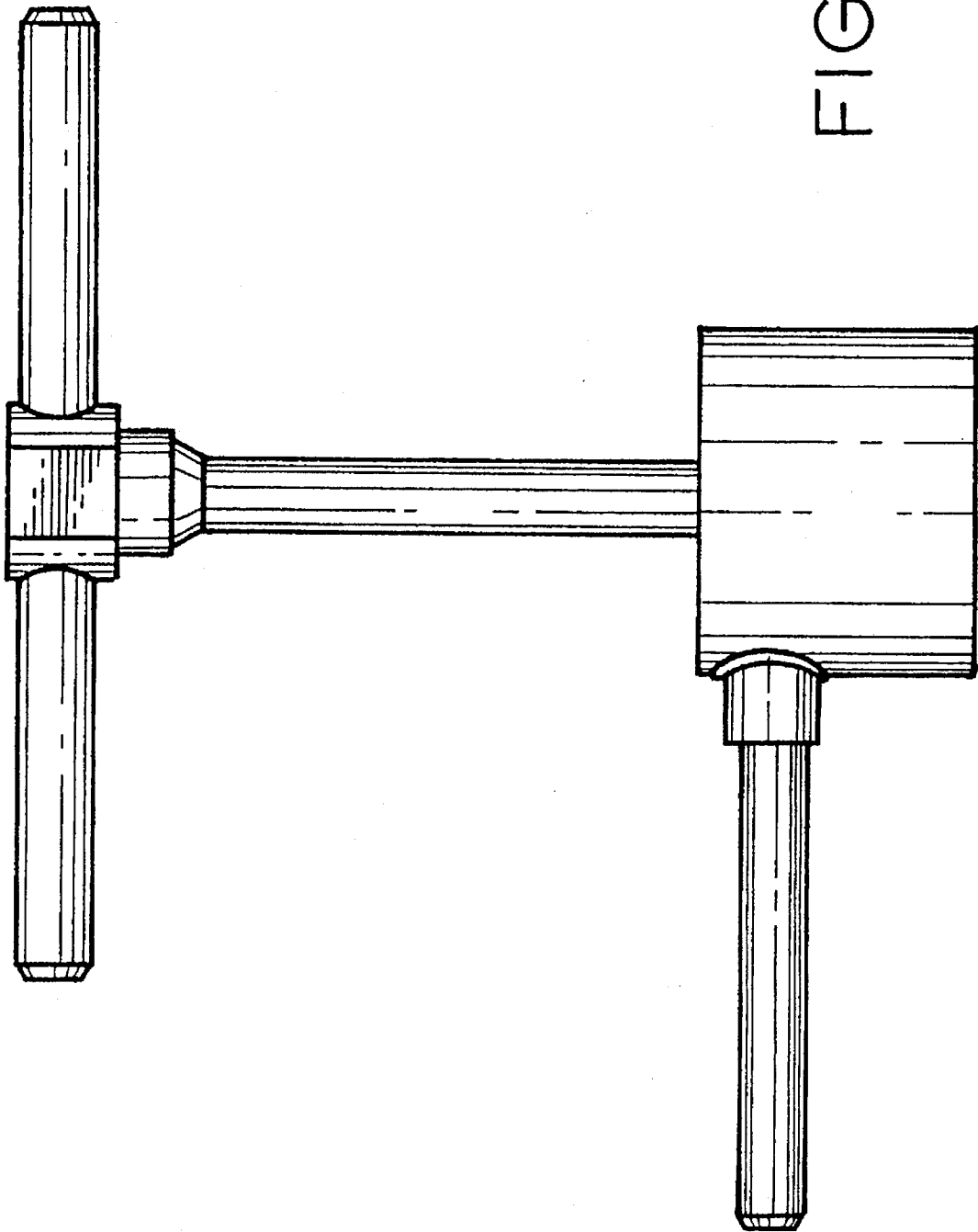


FIG. 7