



US00D341877S

United States Patent [19] Drummond

[11] Patent Number: **Des. 341,877**

[45] Date of Patent: **** Nov. 30, 1993**

[54] **PORTABLE BIDET**

[76] Inventor: **Charles E. Drummond**, 1453 Etna Ave., Huntington, Ind. 46750

[**] Term: **14 Years**

[21] Appl. No.: **224,865**

[22] Filed: **Jul. 27, 1988**

[52] U.S. Cl. **D23/295**

[58] Field of Search **D23/276, 295, 299, 303; 4/420.1, 420.4, 447, 448**

[56] **References Cited**

U.S. PATENT DOCUMENTS

663,826	12/1900	Baker	4/447
2,753,570	7/1956	Evans	4/448
2,826,761	3/1958	Lazarus et al.	4/448
3,164,846	1/1965	Foster	4/420.1
3,570,015	3/1971	Rosengaus	4/420.4

FOREIGN PATENT DOCUMENTS

2120535	11/1972	Fed. Rep. of Germany	4/420.4
37308	11/1930	France	4/420.4

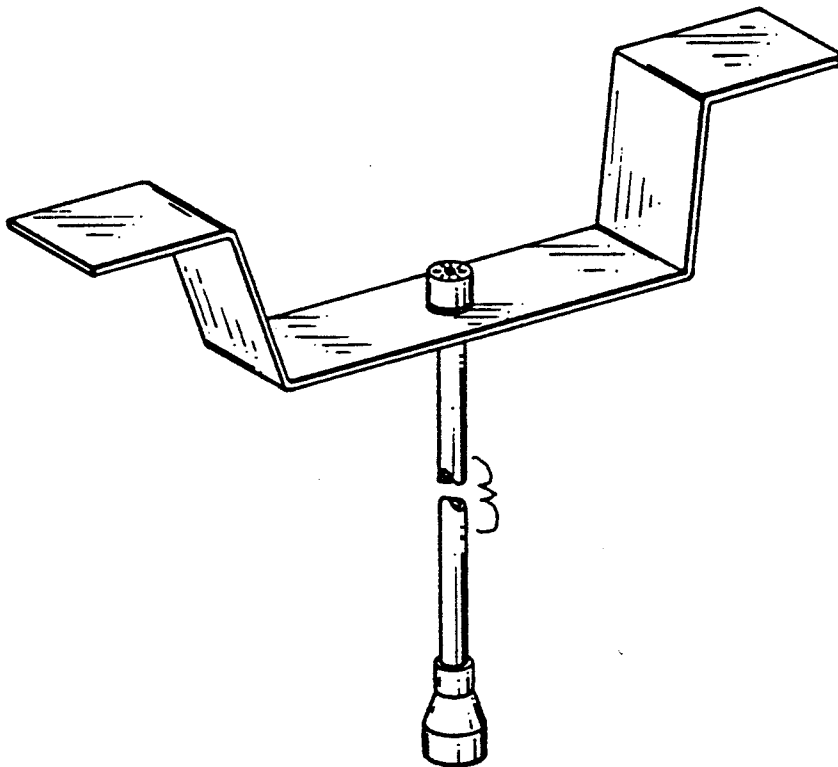
Primary Examiner—James M. Gandy
Attorney, Agent, or Firm—Roger M. Rickert

[57] **CLAIM**

The ornamental design for a portable bidet, as shown and described.

DESCRIPTION

FIG. 1 is a perspective view of a portable bidet illustrating my new design;
FIG. 2 is a top view thereof;
FIG. 3 is a bottom view thereof;
FIG. 4 is a side view thereof with the opposite side view being substantially the same; and,
FIG. 5 is an end view thereof with the opposite end view being substantially the same.
The tube has been broken away in the middle of FIGS. 1, 4 and 5 of the drawing to indicate indeterminate length.



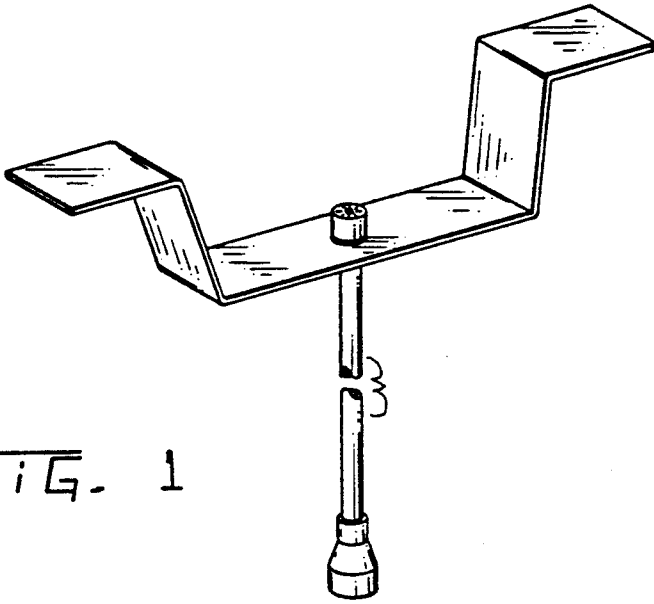


FIG. 1



FIG. 5

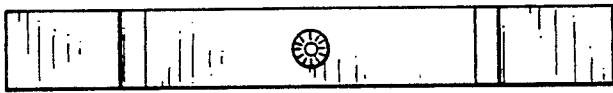


FIG. 2



FIG. 3

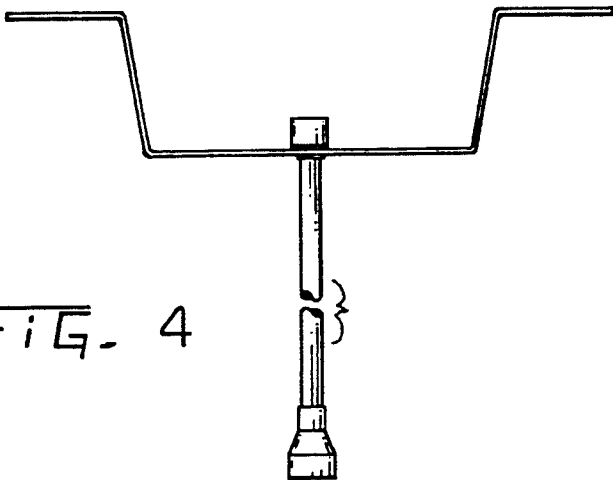


FIG. 4