



US00D688716S

(12) **United States Design Patent**  
**Lampe**

(10) **Patent No.:** **US D688,716 S**

(45) **Date of Patent:** **\*\* Aug. 27, 2013**

(54) **AUXILIARY CUTTING INSERT OF A MASONRY DRILL BIT**

(75) Inventor: **Rainer Lampe**, Dinklage (DE)

(73) Assignee: **Illinois Tool Works, Inc.**, Glenview, IL (US)

(\*\*) Term: **14 Years**

(21) Appl. No.: **29/427,977**

(22) Filed: **Jul. 24, 2012**

(30) **Foreign Application Priority Data**

Jan. 25, 2012 (EP) ..... 001980681-0002

(51) **LOC (9) Cl.** ..... **15-09**

(52) **U.S. Cl.**  
USPC ..... **D15/139**

(58) **Field of Classification Search**  
USPC ..... D8/70, 71; D15/131, 138, 139, 140;  
407/35, 113-119

See application file for complete search history.

(56) **References Cited**

**U.S. PATENT DOCUMENTS**

4,957,396	A *	9/1990	Niebauer	.....	407/114
5,007,775	A *	4/1991	Pantzar	.....	407/113
D330,381	S *	10/1992	Gustafsson et al.	.....	D15/139
D343,400	S *	1/1994	Lindstedt et al.	.....	D15/139
5,375,672	A *	12/1994	Peay et al.	.....	175/420.1
D470,516	S *	2/2003	Andersson	.....	D15/139
7,168,511	B2 *	1/2007	Woods et al.	.....	175/420.1

D633,535	S *	3/2011	Tanaka et al.	.....	D15/139
2005/0123367	A1 *	6/2005	Gati	.....	407/113
2007/0086864	A1 *	4/2007	Hecht	.....	407/109
2010/0187019	A1 *	7/2010	Swope et al.	.....	175/427
2011/0081213	A1 *	4/2011	Ballas	.....	407/113
2012/0241223	A1 *	9/2012	Bise et al.	.....	175/428

\* cited by examiner

*Primary Examiner* — Patricia Palasik

(74) *Attorney, Agent, or Firm* — Lowe Hauptman Ham & Berner, LLP

(57) **CLAIM**

The ornamental design for a auxiliary cutting insert of a masonry drill bit, as shown and described.

**DESCRIPTION**

FIG. 1 is a front view of an auxiliary cutting insert bearing the design;

FIG. 2 is a back side view of the auxiliary cutting insert of FIG. 1;

FIG. 3 is a left side view of the auxiliary cutting insert of FIG. 1;

FIG. 4 is a right view of the auxiliary cutting insert of FIG. 1;

FIG. 5 is a top view of the auxiliary cutting insert of FIG. 1;

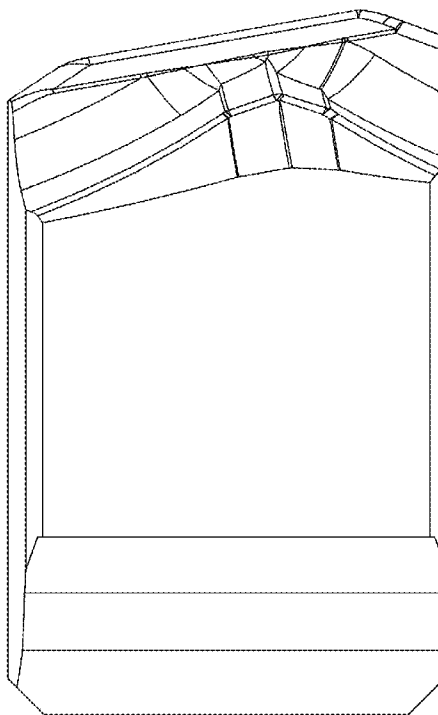
FIG. 6 is a bottom view of the auxiliary cutting insert of FIG. 1;

FIG. 7 is a perspective view of the auxiliary cutting insert of FIG. 1; and,

FIG. 8 is a perspective view of the auxiliary cutting insert of FIG. 1 in a masonry drill bit.

The portions in broken lines form no part of the claimed design.

**1 Claim, 8 Drawing Sheets**



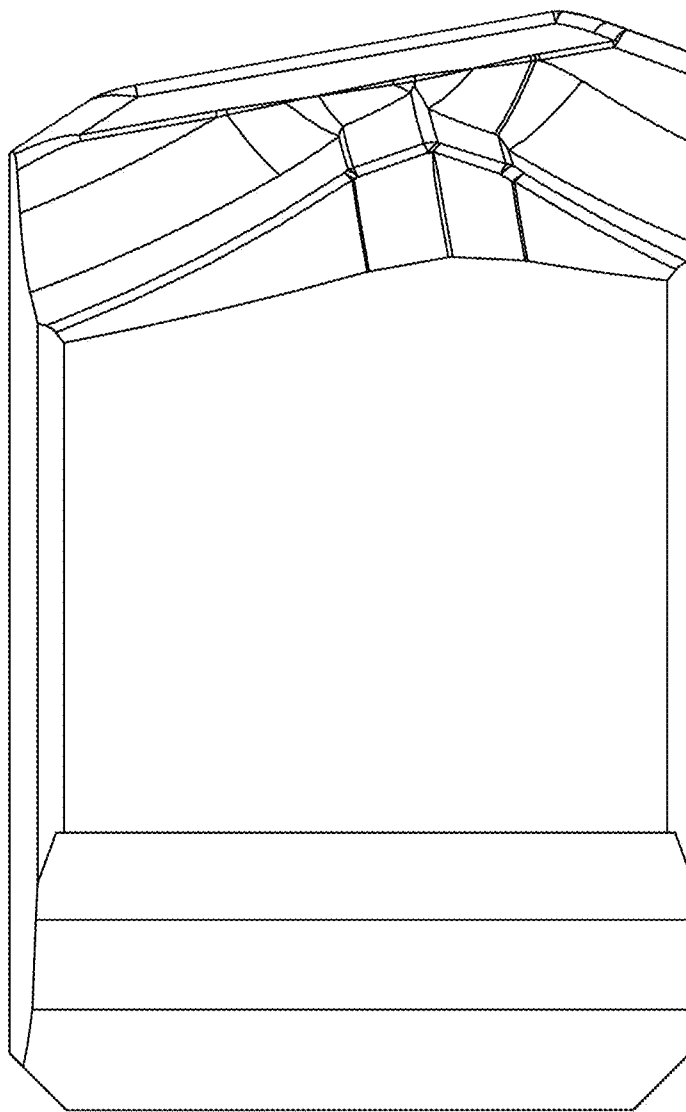


Fig. 1

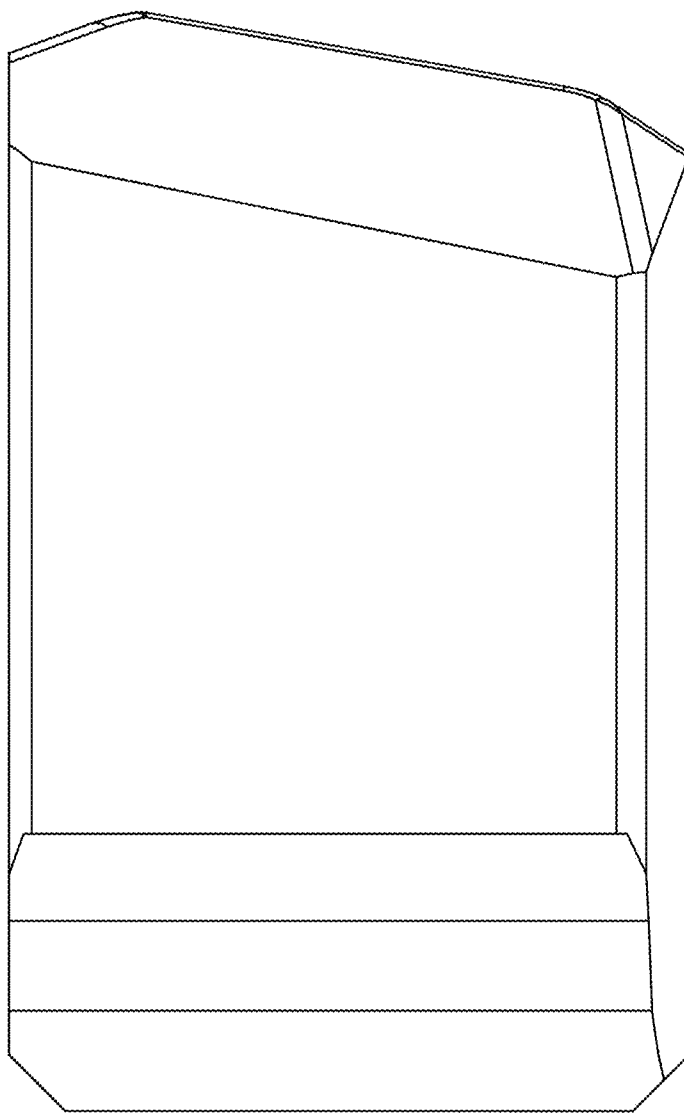


Fig. 2

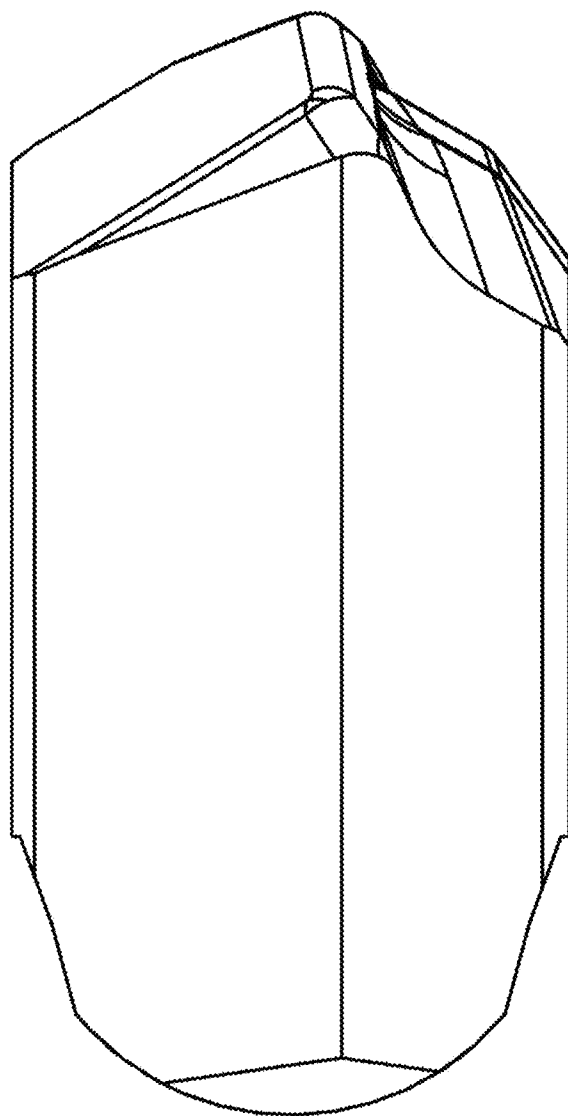


Fig. 3

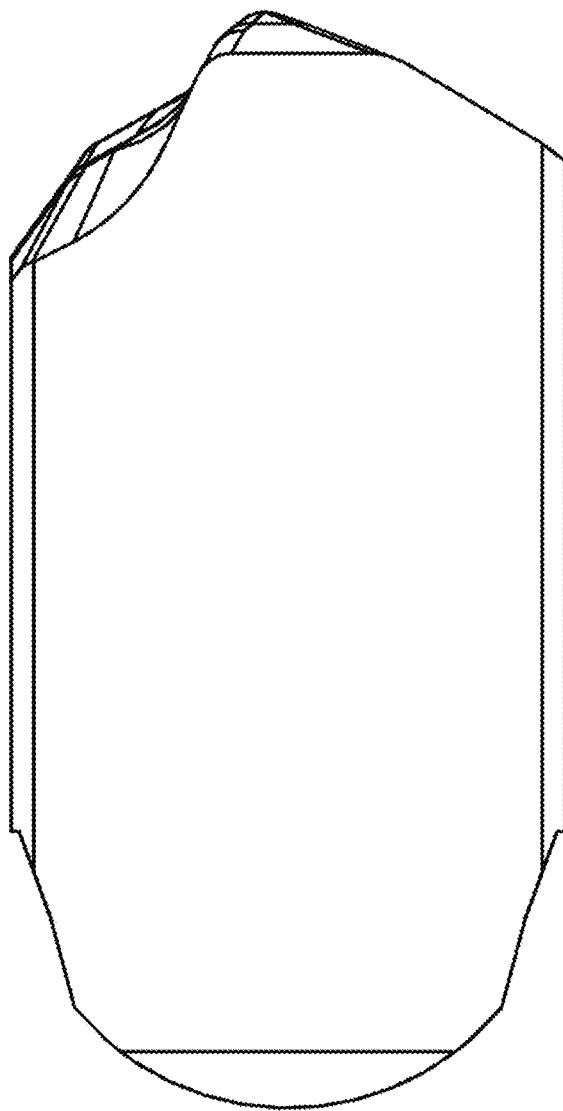


Fig. 4

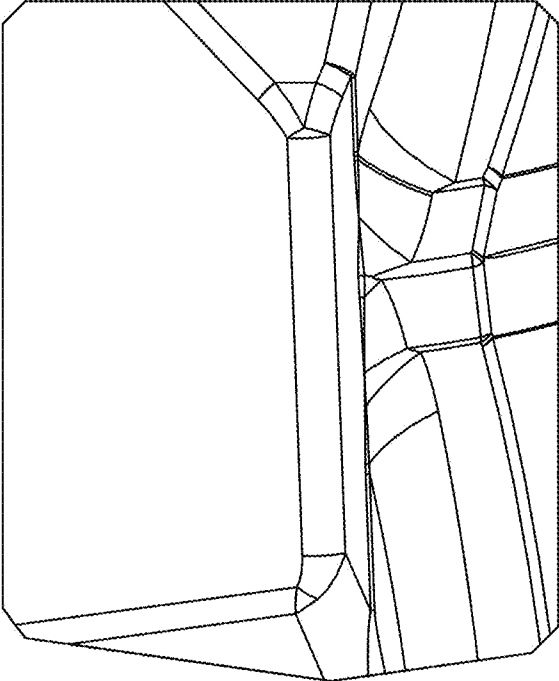


Fig. 5

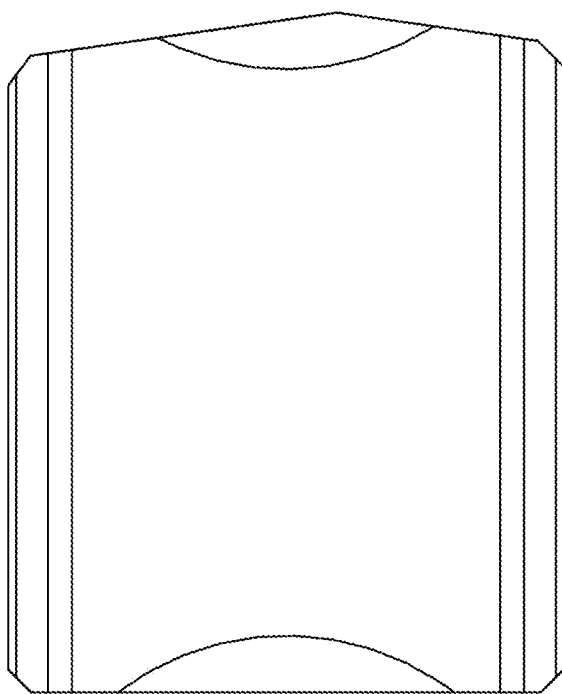


Fig. 6

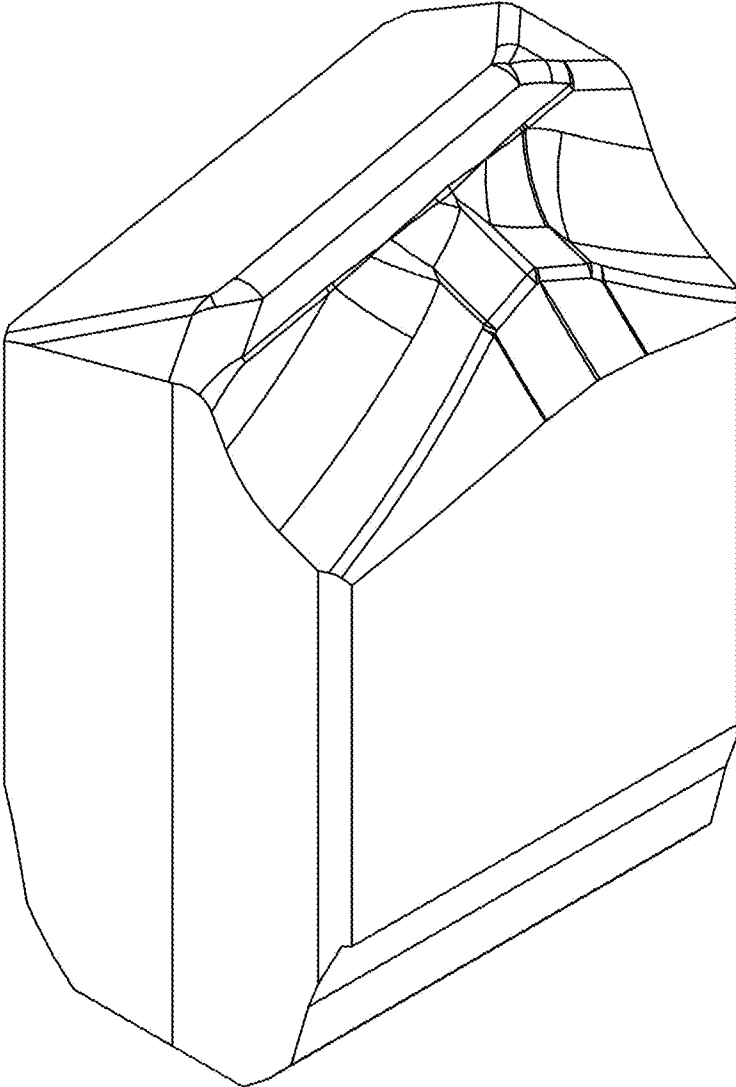


Fig. 7



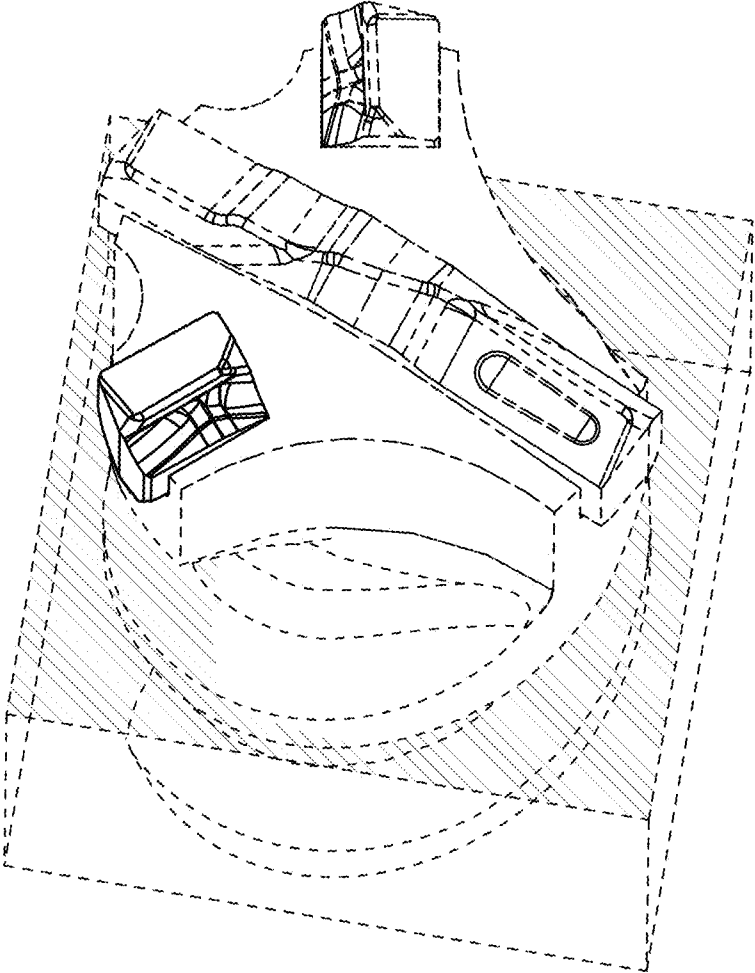


Fig. 8