

(12) **United States Design Patent** (10) **Patent No.:** **US D806,229 S**  
**Uchida** (45) **Date of Patent:** **\*\* Dec. 26, 2017**

(54) **ORAL WATERJET TOOTH CLEANING IMPLEMENT**

(71) Applicant: **Panasonic Intellectual Property Management Co., Ltd., Osaka (JP)**

(72) Inventor: **Ryota Uchida, Tokyo (JP)**

(73) Assignee: **Panasonic Intellectual Property Management Co., Ltd., Osaka (JP)**

(\*\*) Term: **15 Years**

(21) Appl. No.: **29/593,279**

(22) Filed: **Feb. 8, 2017**

(51) **LOC (10) Cl.** ..... **24-02**

(52) **U.S. Cl.**  
 USPC ..... **D24/111**

(58) **Field of Classification Search**  
 USPC ..... D24/108, 110–112, 146, 152, 176–177, D24/200; D4/101, 138; D9/447, 523, D9/723–724  
 CPC ..... A61B 2017/00761; A61B 2017/320004; A61B 2018/00452; A61B 2017/00747; A61B 2217/005; A61B 17/50; A61B 2018/00476; A61M 1/0064; A61M 1/0088; A61M 2210/04; A61M 15/08; A61M 2210/0618; A61M 11/008; A61M 11/00; A61M 31/00; A61M 11/006; A61M 15/0025; A61K 9/0014; A61K 9/0043; A61C 17/02; A61C 17/0202; A61C 17/0214; A61C 17/028; A46B 2200/1066; A61H 35/04

See application file for complete search history.

(56) **References Cited**

**U.S. PATENT DOCUMENTS**

D486,573 S \* 2/2004 Callaghan ..... D24/111  
 D510,662 S 10/2005 Kling et al.

D548,334 S \* 8/2007 Izumi ..... D24/111  
 D629,884 S \* 12/2010 Stephens ..... D24/108  
 D670,373 S \* 11/2012 Taylor ..... D24/108  
 D694,398 S \* 11/2013 Taylor ..... D24/108  
 D761,567 S \* 7/2016 Uchida ..... D4/101  
 D766,581 S \* 9/2016 Bloch ..... D4/101  
 D771,389 S \* 11/2016 Since ..... D24/200  
 D772,396 S \* 11/2016 Kim ..... D24/111  
 D772,397 S \* 11/2016 Kim ..... D24/111  
 D778,433 S \* 2/2017 Li ..... D24/111  
 D780,908 S \* 3/2017 Ladwig ..... D24/111  
 9,775,692 B2 \* 10/2017 Thomas ..... A61C 17/0202

(Continued)

**FOREIGN PATENT DOCUMENTS**

EM 003467513-0001 11/2016  
 JP D1220098 10/2004

(Continued)

*Primary Examiner* — Barbara Fox  
*Assistant Examiner* — Lilyana Bekic  
 (74) *Attorney, Agent, or Firm* — Panasonic IP Management; Kerry S. Culpepper

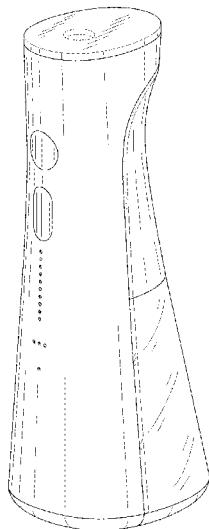
(57) **CLAIM**

I claim the ornamental design for an oral waterjet tooth cleaning implement, as shown and described.

**DESCRIPTION**

FIG. 1 is a front perspective view of an oral waterjet tooth cleaning implement of the present invention;  
 FIG. 2 is a front view thereof;  
 FIG. 3 is a rear view thereof;  
 FIG. 4 is a first side view thereof;  
 FIG. 5 is a second side view thereof;  
 FIG. 6 is a top view thereof; and,  
 FIG. 7 is a bottom view thereof.  
 The broken lines in the drawings depict portions of the oral waterjet tooth cleaning implement that form no part of the claimed design.

**1 Claim, 7 Drawing Sheets**



(56)

**References Cited**

U.S. PATENT DOCUMENTS

2004/0209222 A1\* 10/2004 Snyder ..... A61C 17/02  
433/80  
2008/0008979 A1\* 1/2008 Thomas ..... A61C 17/0202  
433/80  
2011/0144588 A1\* 6/2011 Taylor ..... A61M 3/0258  
604/151  
2016/0151133 A1\* 6/2016 Luetgen ..... F04B 39/048  
433/80

FOREIGN PATENT DOCUMENTS

JP D1384701 4/2010  
JP D1497334 5/2014

\* cited by examiner

FIG. 1

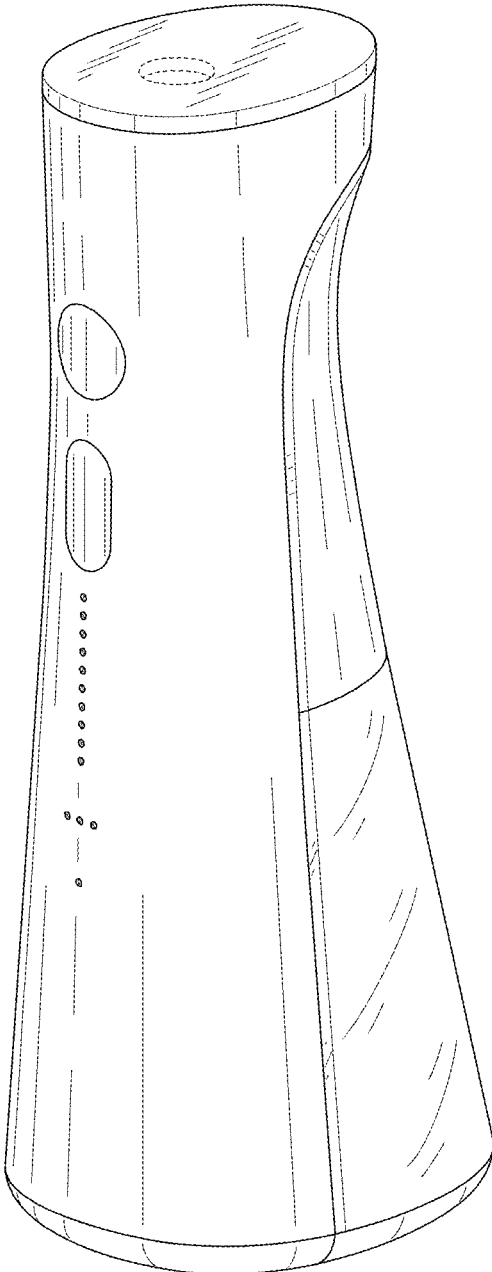


FIG. 2

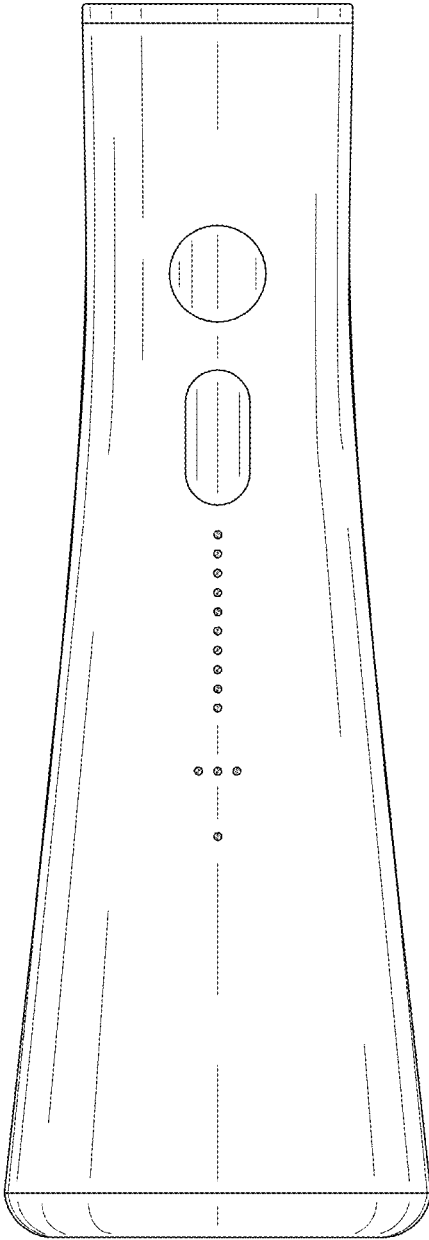


FIG. 3

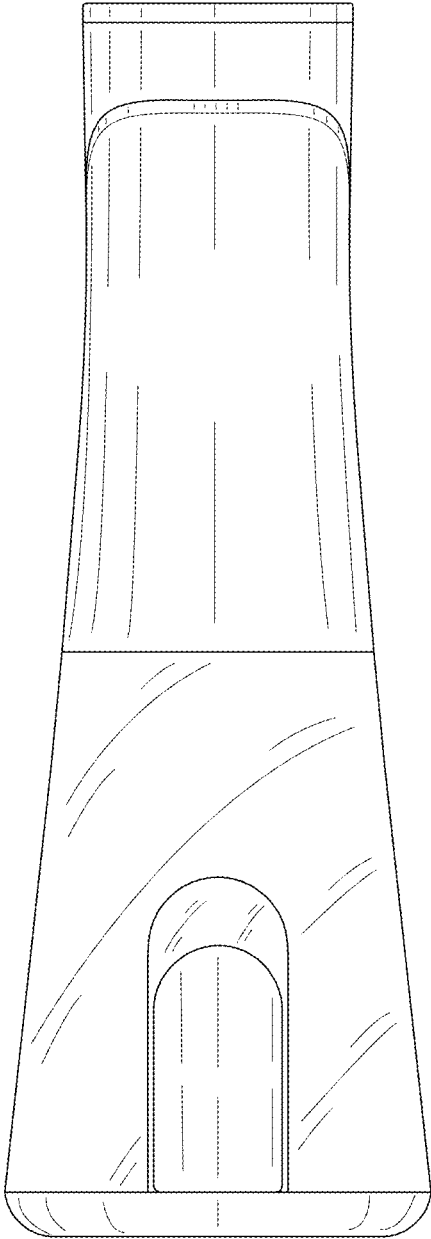


FIG. 4

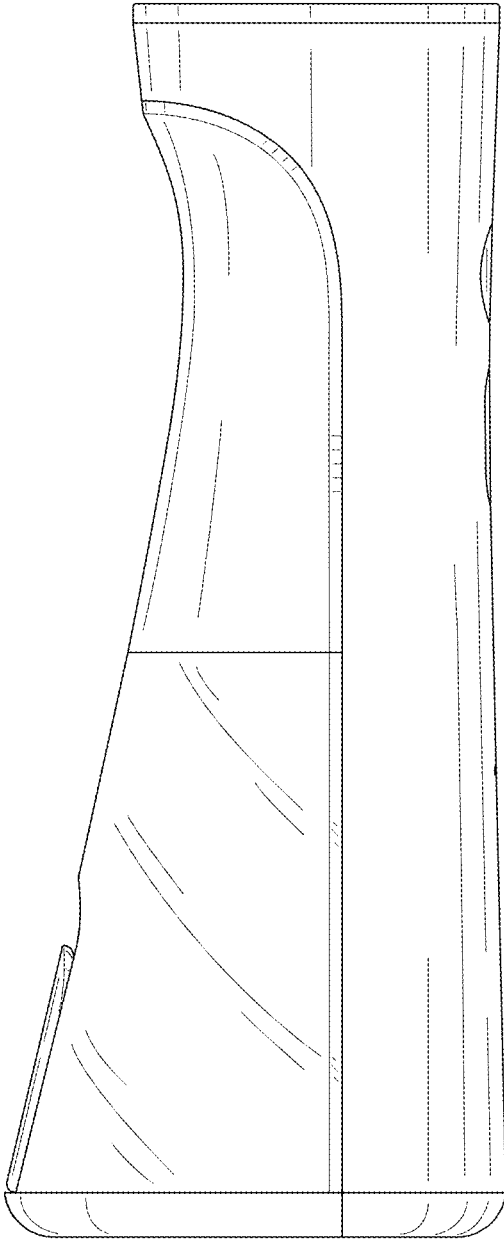


FIG. 5

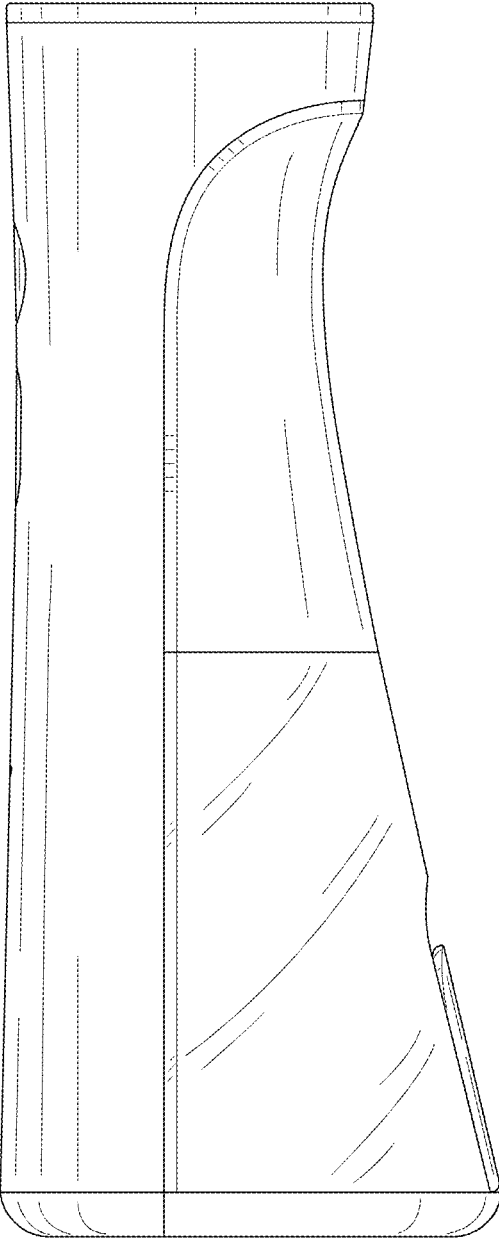


FIG. 6

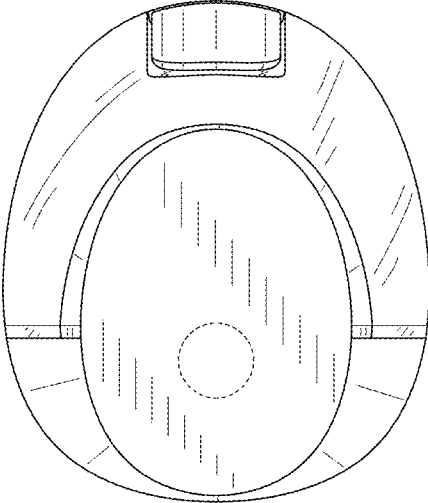




FIG. 7

