



US00D615711S

(12) **United States Design Patent**
Van Sice

(10) **Patent No.:** **US D615,711 S**

(45) **Date of Patent:** **** May 11, 2010**

(54) **PET DIAPER**

(76) Inventor: **Jillian Van Sice**, 2917 N. Britain Dr.,
Irving, TX (US) 75062

(**) Term: **14 Years**

(21) Appl. No.: **29/319,513**

(22) Filed: **Jun. 10, 2008**

(51) **LOC (9) Cl.** **30-01**

(52) **U.S. Cl.** **D30/145**

(58) **Field of Classification Search** D30/152,
D30/144, 151, 153, 154, 145; 119/702, 712,
119/792-798, 758, 760, 769, 770, 784, 815,
119/818, 856, 863, 864, 905, 907, 802, 857,
119/865, 725, 771, 868, 869, 164, 174; D21/805,
D21/804; D3/217, 327, 271.2; D29/101.1,
D29/101.5, 101.3; D24/190, 124-126; D34/28;
54/71; 604/385.09, 393, 390

See application file for complete search history.

(56) **References Cited**

U.S. PATENT DOCUMENTS

1,437,255 A *	11/1922	Mallinson	54/79.2
1,595,834 A *	8/1926	Griffiths	54/79.1
2,103,109 A	12/1937	De Mar		
2,417,803 A	3/1947	De Mar		
3,141,443 A	7/1964	Huey		
3,792,687 A	2/1974	Ehrman		
4,095,562 A	6/1978	Graham		
4,290,386 A	9/1981	Eiriksson		
4,355,600 A *	10/1982	Zielinski	119/850
4,527,991 A	7/1985	Msarsa		
4,577,591 A	3/1986	Wesseldine		
4,813,949 A	3/1989	O'Rourke		
4,996,949 A	3/1991	Wunderman et al.		
5,005,525 A	4/1991	Stanton		
5,146,874 A	9/1992	Vidal		
D334,252 S	3/1993	Stubbs		
5,226,386 A	7/1993	Thoma		
5,234,421 A	8/1993	Lowman		
5,359,963 A *	11/1994	Jesse et al.	119/850
D368,338 S *	3/1996	Levengood	D30/144

5,537,954 A *	7/1996	Beeghly et al.	119/850
5,555,847 A	9/1996	Kelly		
5,662,640 A	9/1997	Daniels		
D406,410 S	3/1999	Pasqua		
5,954,015 A	9/1999	Ohta		
6,024,055 A *	2/2000	Jesse et al.	119/850
D427,734 S *	7/2000	Balzarini	D30/145
6,142,105 A	11/2000	McKnight		
6,234,117 B1 *	5/2001	Spatt	119/850
6,267,083 B1 *	7/2001	Chimienti	119/850
6,368,313 B1	4/2002	Howard		
6,481,383 B1	11/2002	Ross et al.		
6,557,497 B1	5/2003	Milligan		

(Continued)

OTHER PUBLICATIONS

Drs Foster and Smith Pet catalogue, Feb. 2006, p. 80 (1 page).*

(Continued)

Primary Examiner—Susan Moon Lee
(74) *Attorney, Agent, or Firm*—John G. Fischer, Esq.; Storm
LLP

(57) **CLAIM**

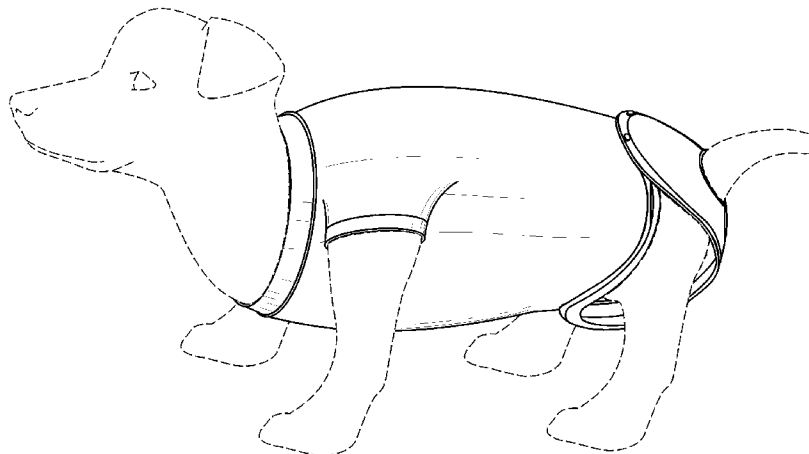
I claim the ornamental design for a pet diaper, as shown and
described.

DESCRIPTION

FIG. 1 is an isometric view of a pet diaper, shown in use;
FIG. 2 is a side view thereof;
FIG. 3 is a second side view thereof;
FIG. 4 is a top view thereof;
FIG. 5 is a bottom view thereof;
FIG. 6 is a front view thereof; and,
FIG. 7 is rear view thereof.

The portions shown in broken line are not claimed.

1 Claim, 4 Drawing Sheets



US D615,711 S

Page 2

U.S. PATENT DOCUMENTS

D480,842 S 10/2003 Grodecki
6,651,649 B2 11/2003 Spencer
6,675,745 B1 1/2004 Brewington
6,837,191 B2 1/2005 Brewington
6,895,901 B1 5/2005 Howard
6,935,278 B2 8/2005 Brewington
7,174,860 B2 2/2007 Solomon
7,195,618 B2 3/2007 Ikegami
D555,297 S 11/2007 Coleman
D574,560 S * 8/2008 Shaw D30/145

D586,509 S * 2/2009 Kok-Duson D30/145
2004/0031448 A1 * 2/2004 Trepanier 119/850
2006/0217678 A1 9/2006 Ikegami et al.
2007/0056530 A1 * 3/2007 Nassour 119/850
2007/0234971 A1 * 10/2007 Pegago 119/850
2007/0289558 A1 12/2007 Bonfoey
2009/0173290 A1 * 7/2009 Freitag 119/850

OTHER PUBLICATIONS

JB Wholesale Pet Catalogue, Nov. 2006, pp. 6 and 40 (2 pages).*

* cited by examiner

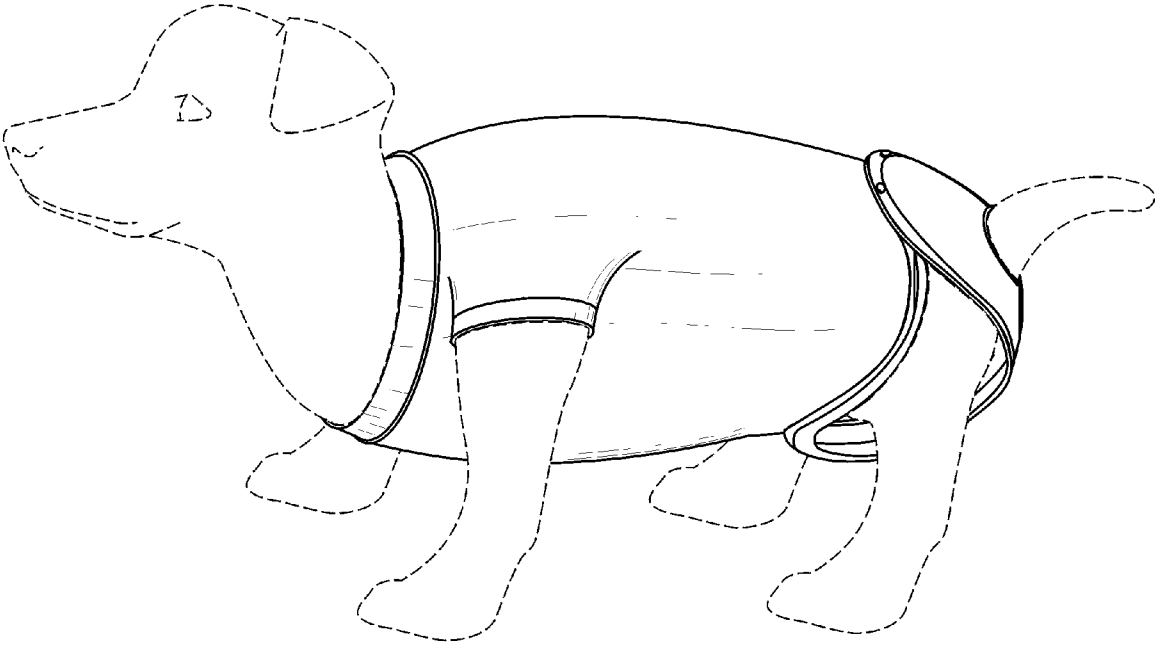


FIG. 1

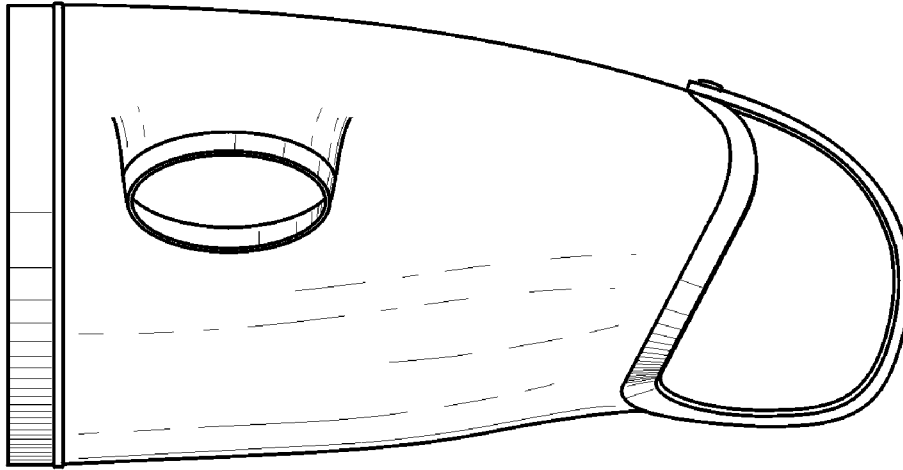


FIG. 2

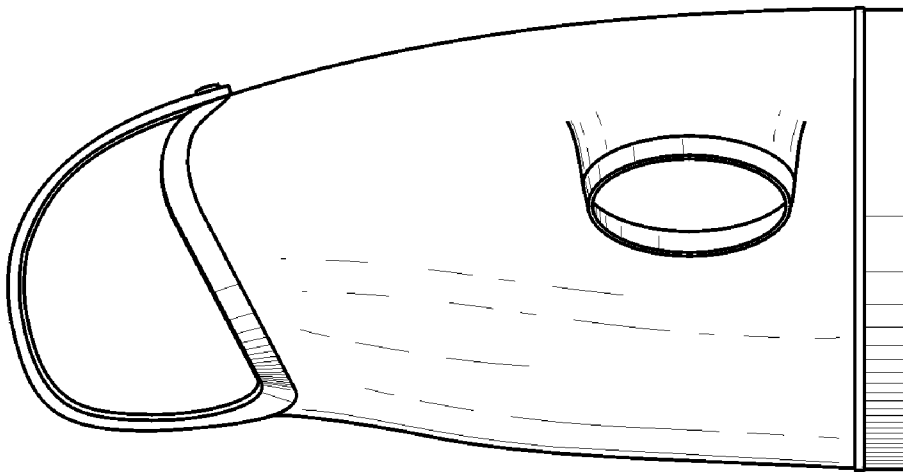


FIG. 3

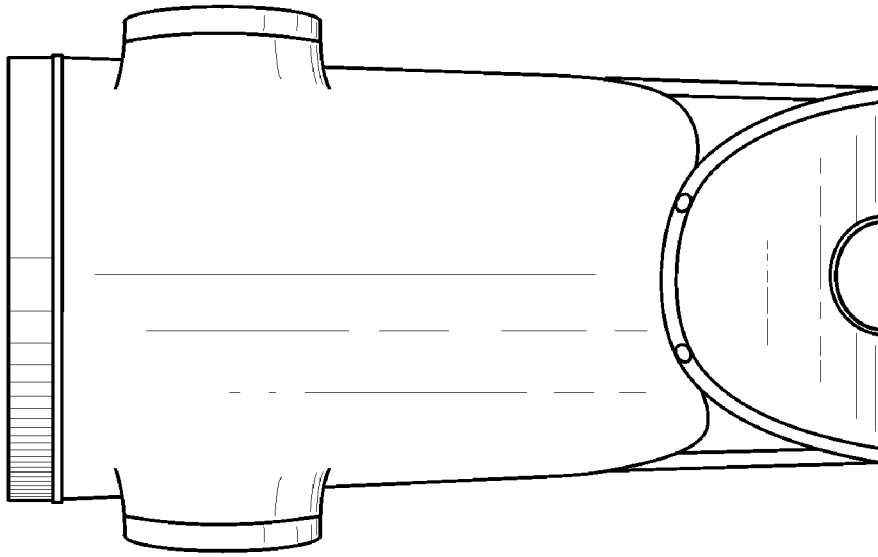


FIG. 4

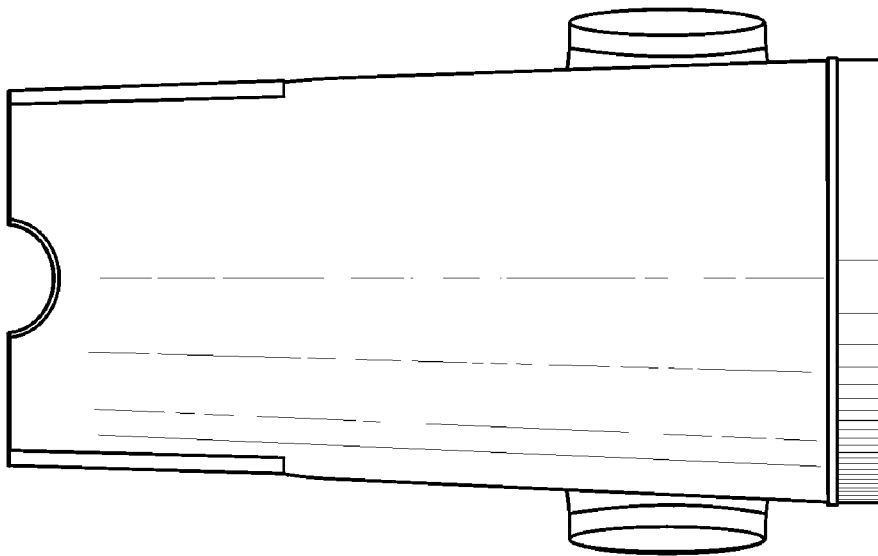


FIG. 5

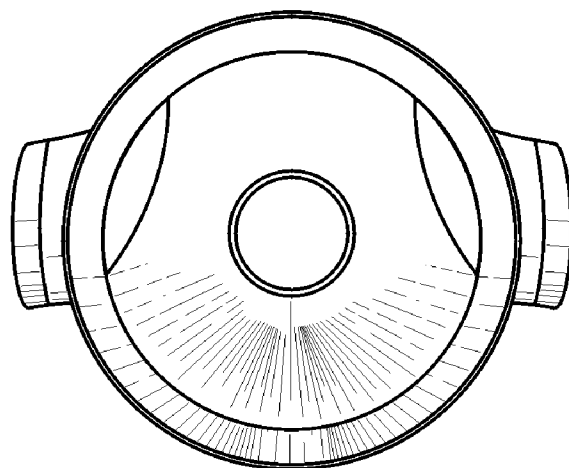


FIG. 6

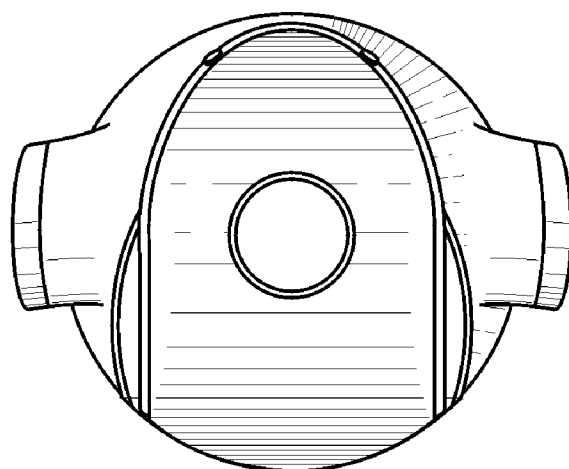


FIG. 7