

[54] STORAGE CONTAINER FOR COMPUTER DISCS OR SIMILAR ARTICLE

[75] Inventor: Arthur Kohler, Mentor, Ohio

[73] Assignee: Chagrin Plastic Methods, Inc., Mentor, Ohio

[\*\*] Term: 14 Years

[21] Appl. No.: 311,717

[22] Filed: Feb. 14, 1989

[52] U.S. Cl. .... D6/407; D6/396

[58] Field of Search ..... D6/407, 429, 423, 400, D6/414, 471, 498, 472, 157; D3/35; D19/75; 206/402, 387, 45, 31; 211/131; 312/245

[56] References Cited

U.S. PATENT DOCUMENTS

D. 25,523	5/1896	Browne	.....	D6/498
D. 102,972	1/1937	Hennings	.....	D6/472
651,525	6/1900	Collins	.....	206/15
1,637,333	8/1927	Carpenter	.....	206/15
2,285,270	6/1942	Gelow	.....	206/402
3,330,405	7/1967	Taub	.....	206/45.31
3,692,376	9/1972	McKinsey et al.	.....	312/11
4,261,461	4/1981	Kizlauskas	.....	206/566 X

4,358,018	11/1982	Wolfe	.....	206/387 X
4,516,678	5/1985	Fotiadis et al.	.....	206/444
4,700,839	10/1987	Fujii	.....	206/444
5,020,043	5/1991	Kohler	.....	312/11 X

FOREIGN PATENT DOCUMENTS

771503	11/1967	Canada	.....	206/402
388617	3/1933	United Kingdom	.....	206/402

Primary Examiner—Bruce W. Dunkins  
Assistant Examiner—Monica A. Hannon  
Attorney, Agent, or Firm—Michael H. Minns

[57] CLAIM

The ornamental design for a storage container for computer discs or similar article, as shown.

DESCRIPTION

FIG. 1 is a perspective view of the storage container for computer discs or similar article showing my new design;

FIG. 2 is a front perspective view thereof;

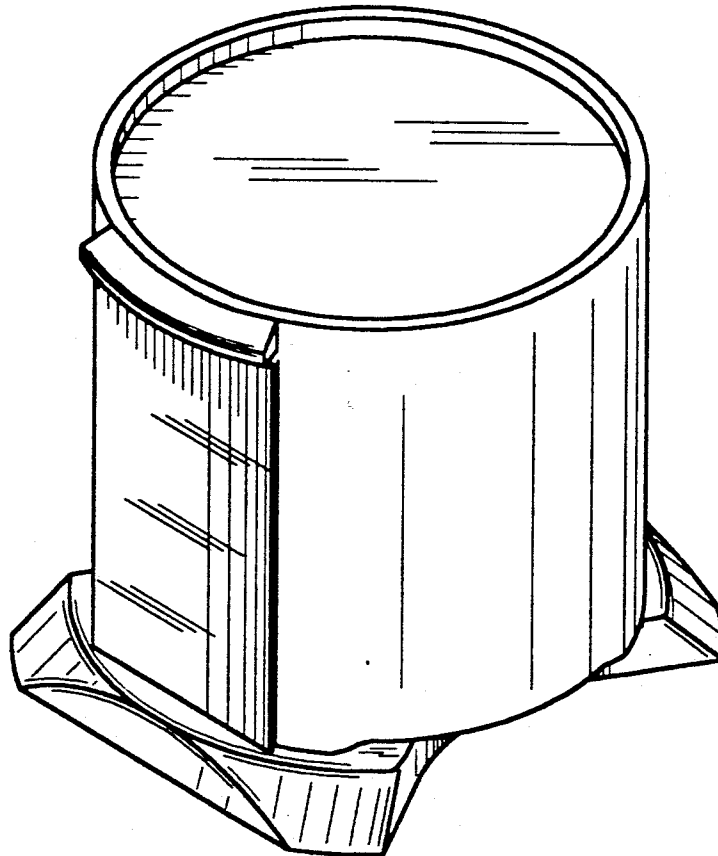
FIG. 3 is a right side elevational view thereof;

FIG. 4 is a rear view thereof;

FIG. 5 is a top plan view thereof; and

FIG. 6 is a bottom plan view thereof.

FIGS. 2-6 have been drawn to an enlarged scale with respect to FIG. 1.



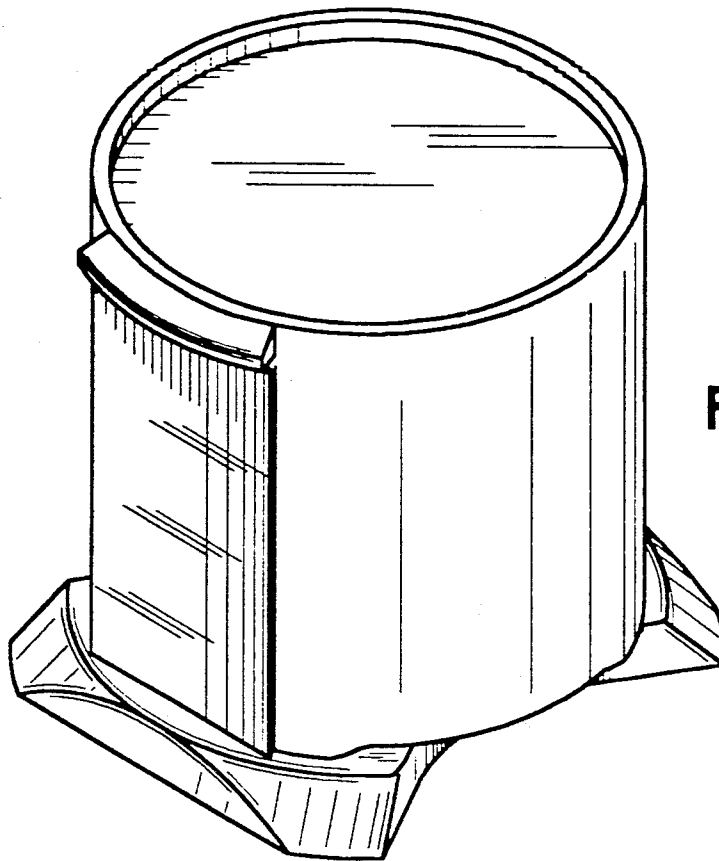


Fig.1

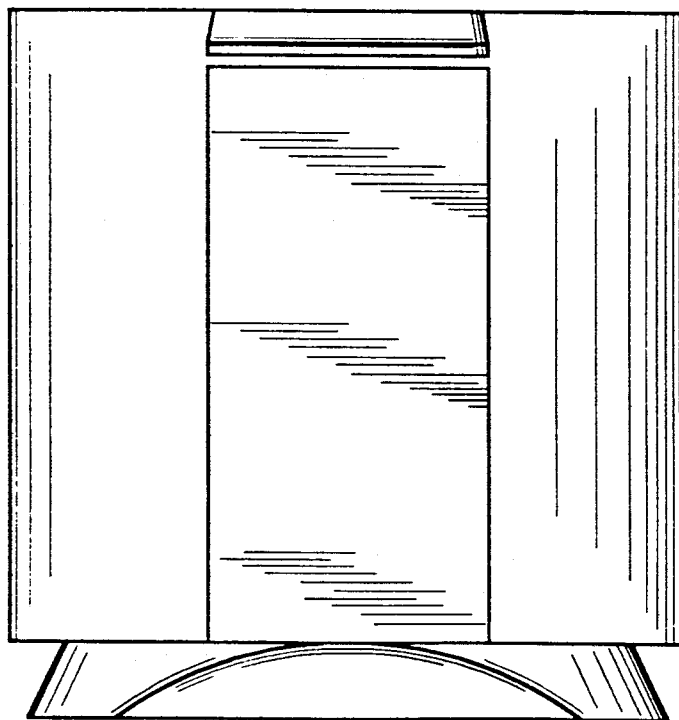


Fig.2

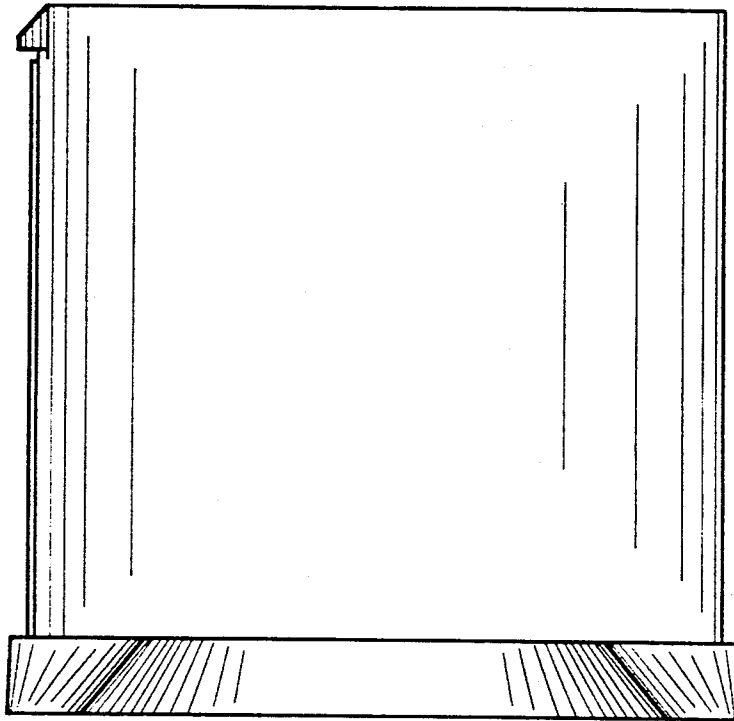


Fig.3

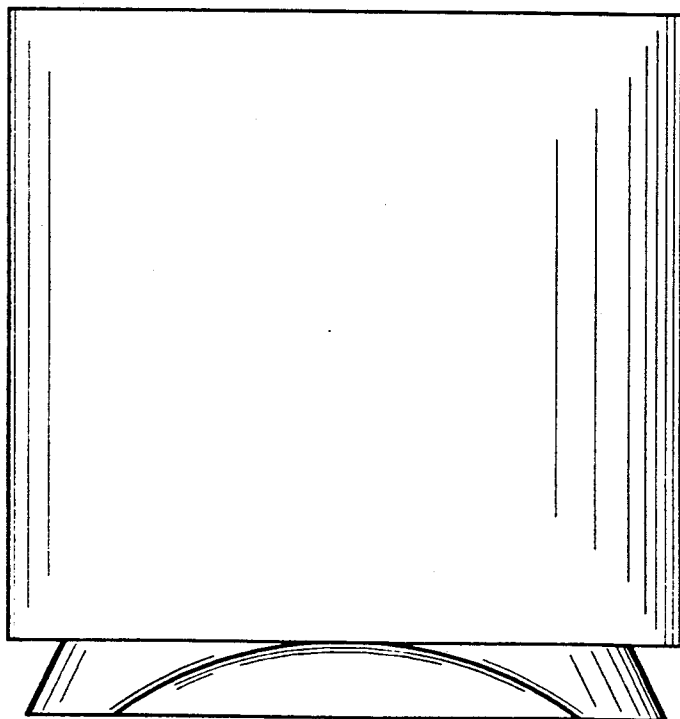


Fig.4

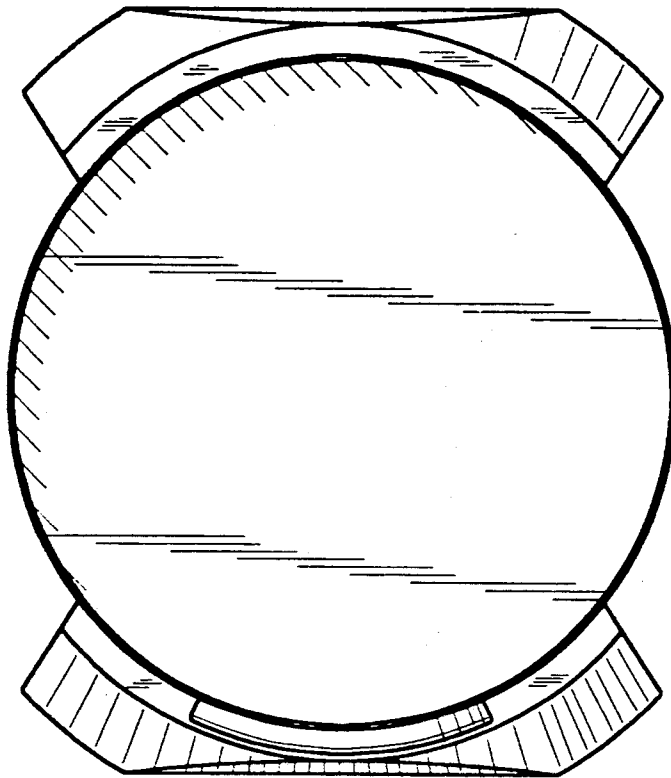


Fig.5

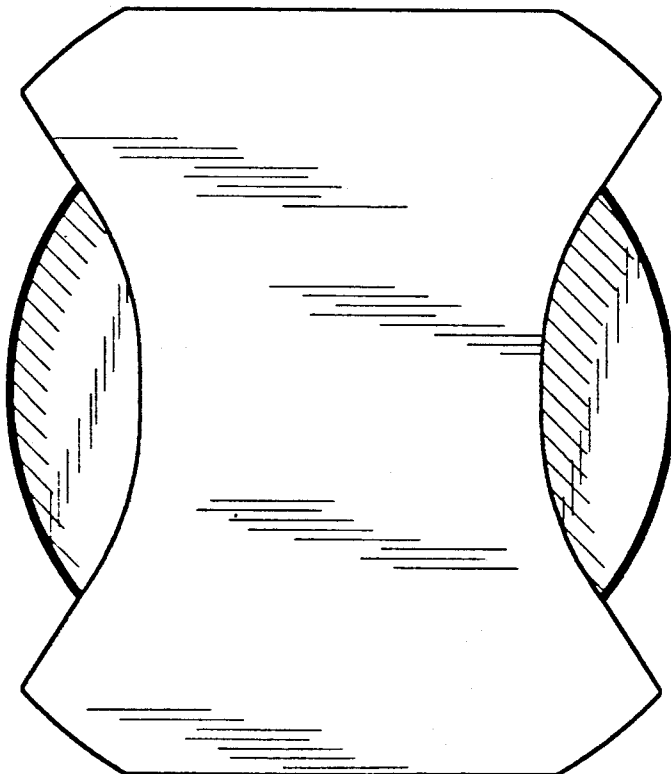


Fig.6