



US00D535038S

(12) **United States Design Patent**
Egawa et al.

(10) **Patent No.:** **US D535,038 S**

(45) **Date of Patent:** **** Jan. 9, 2007**

(54) **LIGHT EMITTING DIODE LAMP**

(75) Inventors: **Kazuo Egawa**, Tokyo (JP); **Shigeru Osawa**, Tokyo (JP)

(73) Assignee: **Toshiba Lighting & Technology Corporation**, Tokyo (JP)

(**) Term: **14 Years**

(21) Appl. No.: **29/240,398**

(22) Filed: **Oct. 11, 2005**

(30) **Foreign Application Priority Data**

Apr. 15, 2005 (JP) 2005-011277

(51) **LOC (8) Cl.** **26-04**

(52) **U.S. Cl.** **D26/2**

(58) **Field of Classification Search** D26/1-4;
313/313, 315, 317, 318, 493; 315/52, 53,
315/56, 57, 58

See application file for complete search history.

(56) **References Cited**

U.S. PATENT DOCUMENTS

- D433,167 S * 10/2000 Yim D26/2
- D435,577 S * 12/2000 McBride D16/203
- D463,584 S * 9/2002 Yim D26/2

OTHER PUBLICATIONS

Lamps General Catalogue 2005 Toshiba / p. 36.

* cited by examiner

Primary Examiner—Marcus A. Jackson

(74) *Attorney, Agent, or Firm*—J.C. Patents

(57) **CLAIM**

The ornamental design for a light emitting diode lamp, as shown and described.

DESCRIPTION

FIG. 1 is a perspective view of a light emitting diode lamp showing our new design.

FIG. 2 is a front view thereof.

FIG. 3 is a rear view thereof.

FIG. 4 is a left side view thereof.

FIG. 5 is a right side view thereof.

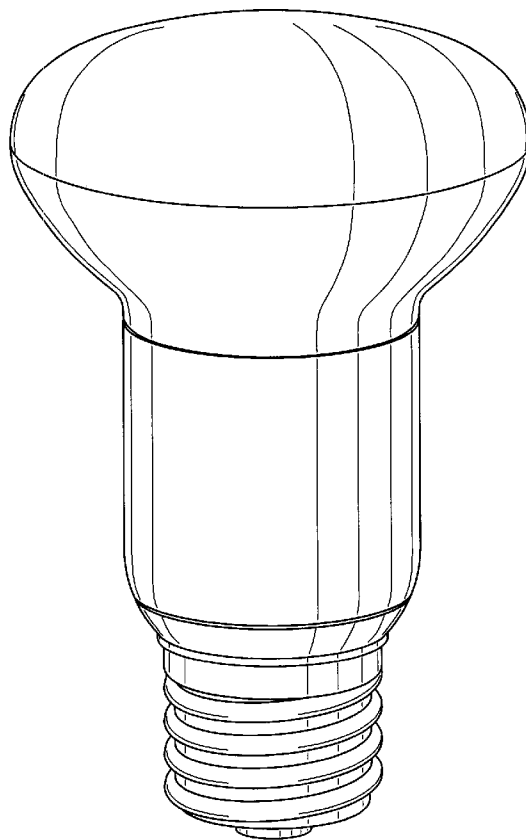
FIG. 6 is a top plan view thereof.

FIG. 7 is a bottom plan view thereof.

FIG. 8 is a cross-sectional view taken along line 8—8 in FIG. 2 with the internal parts omitted; and,

FIG. 9 is a reference view showing the light transmission portion thereof.

1 Claim, 9 Drawing Sheets



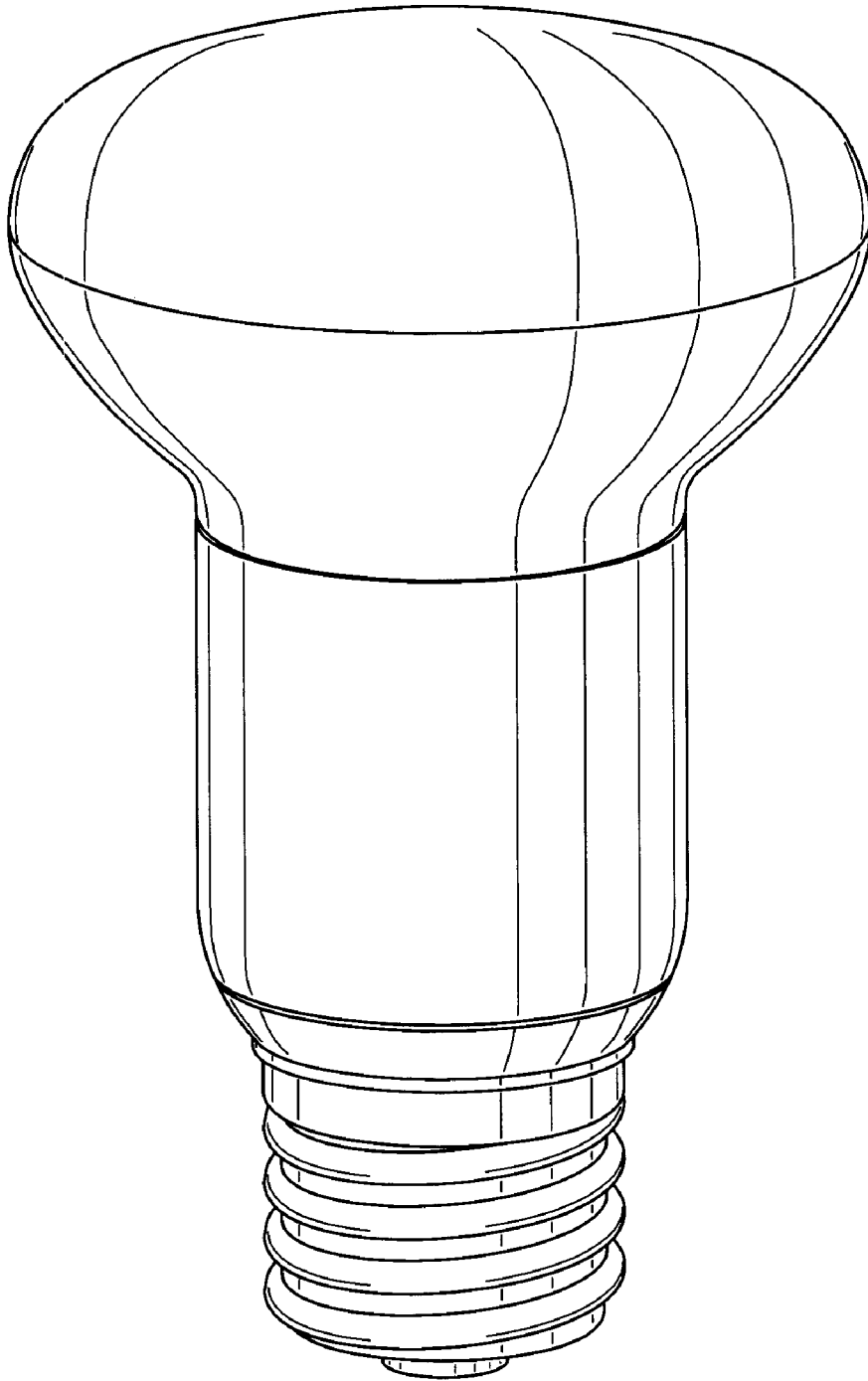


FIG. 1

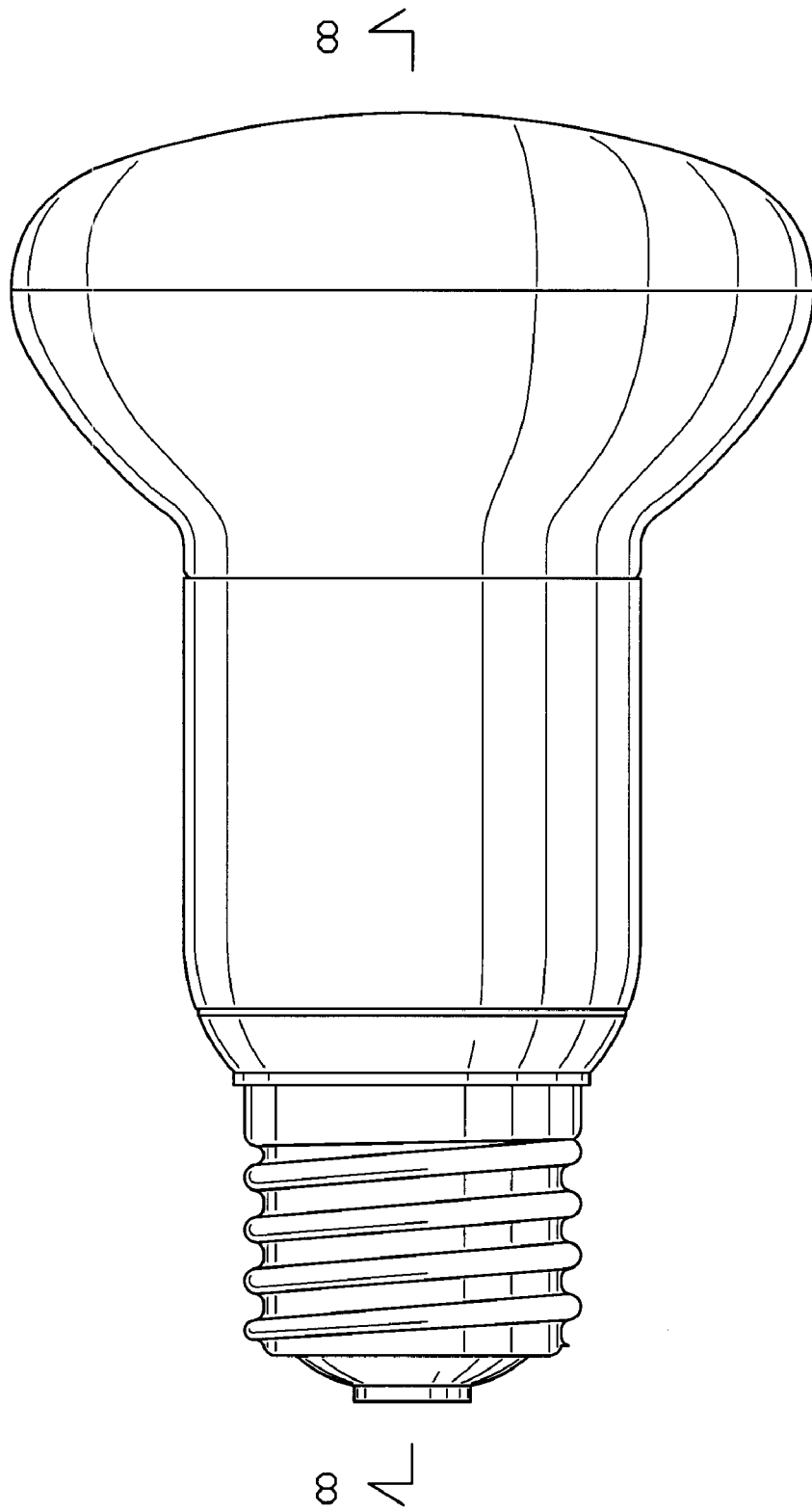


FIG. 2

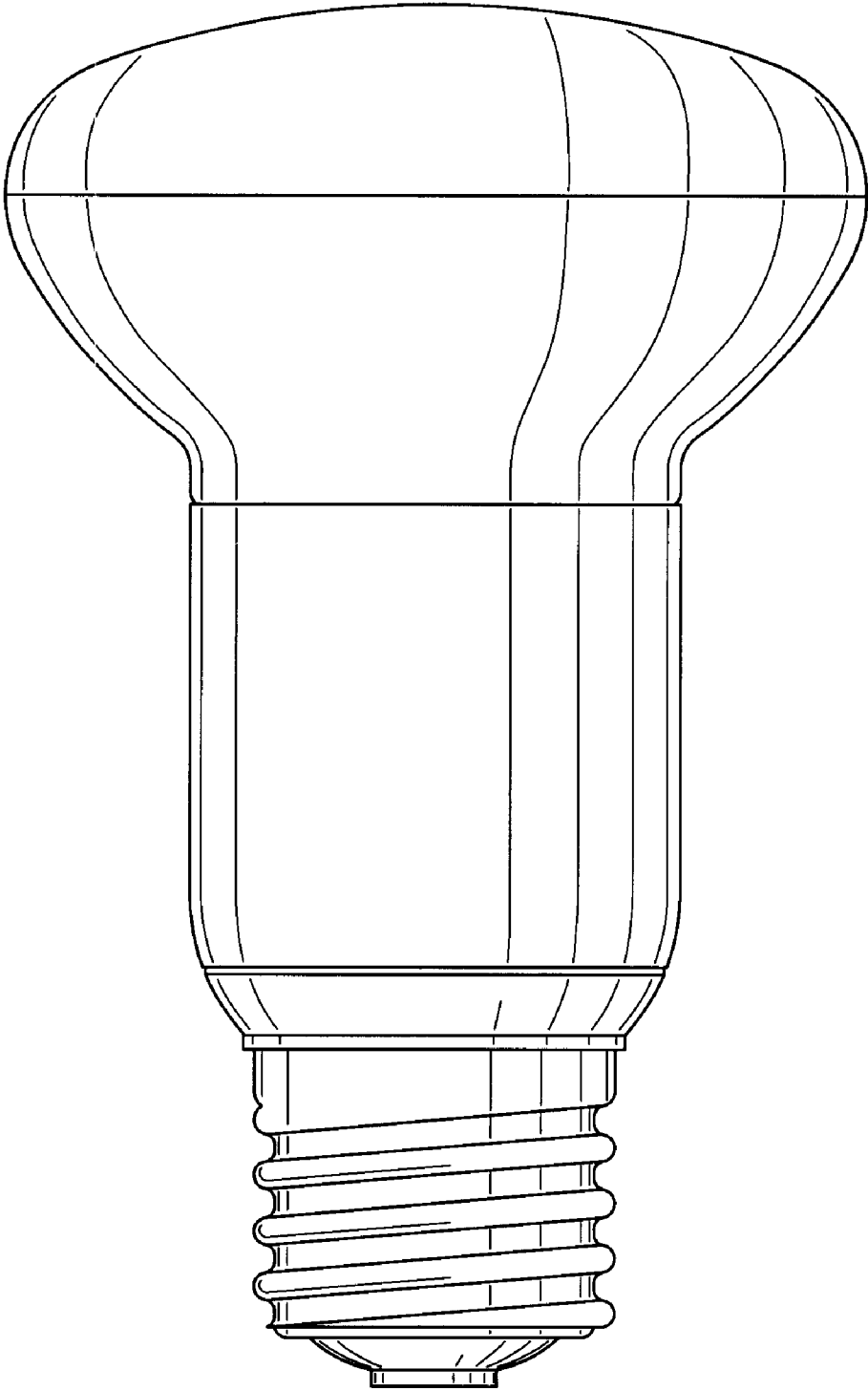


FIG. 3

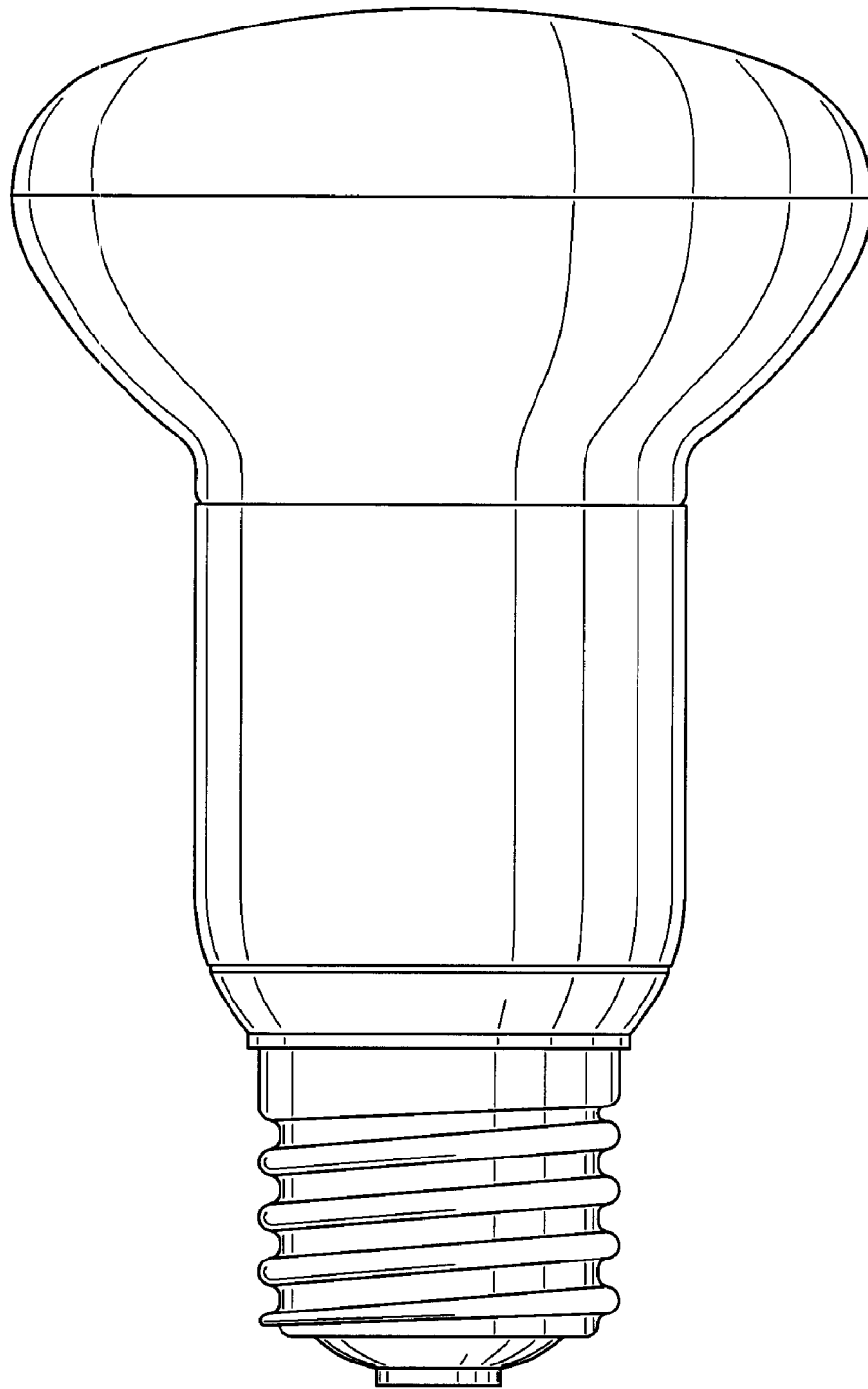


FIG. 4

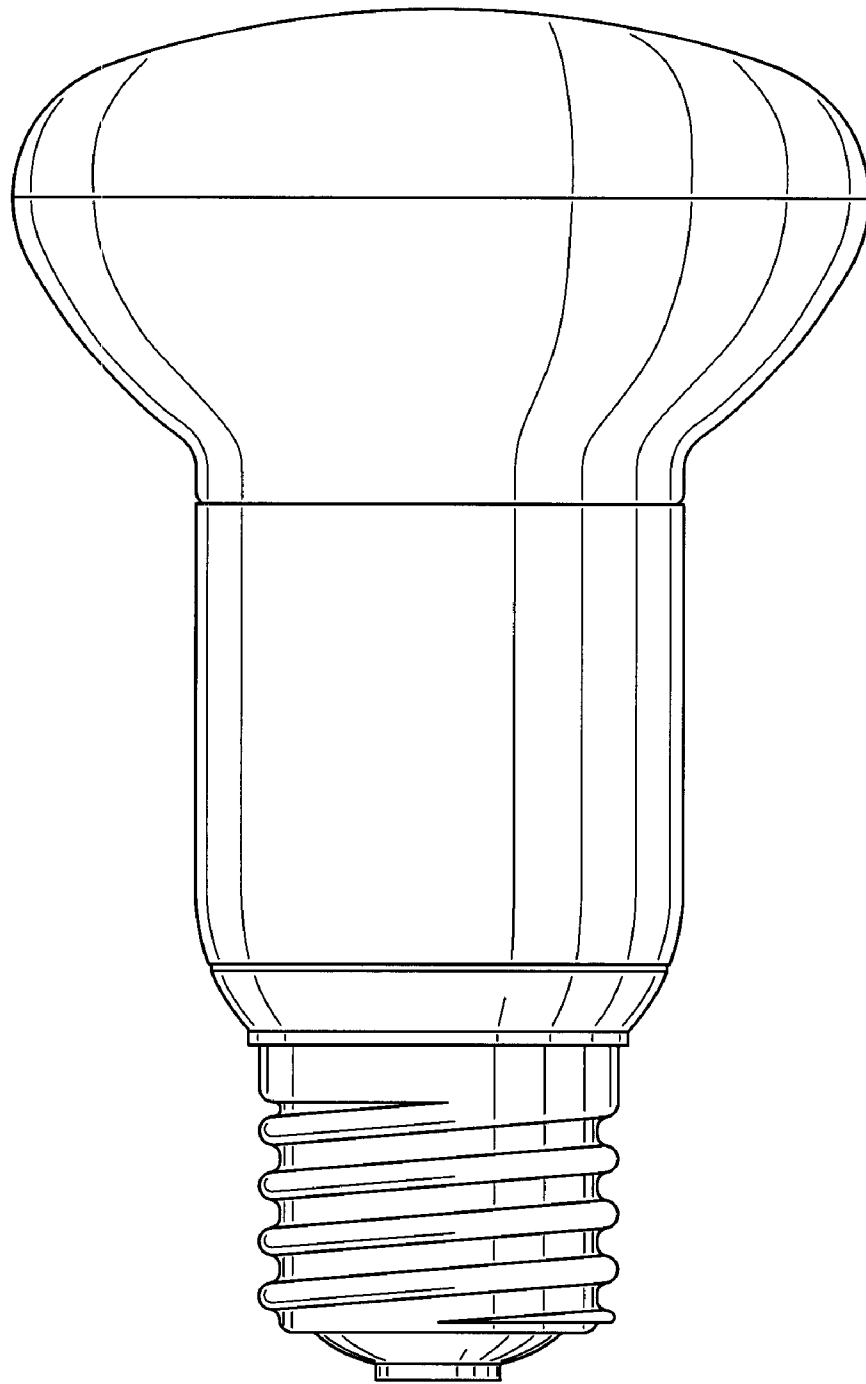


FIG. 5

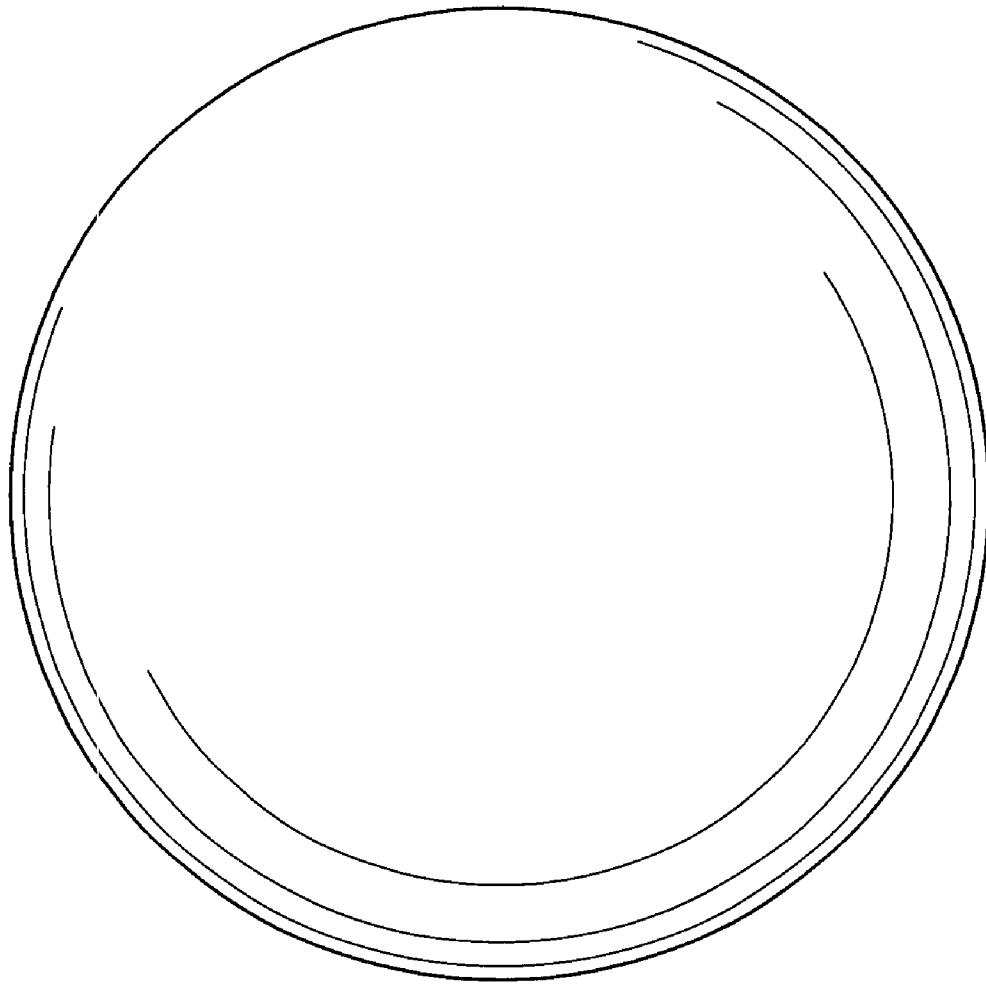


FIG. 6

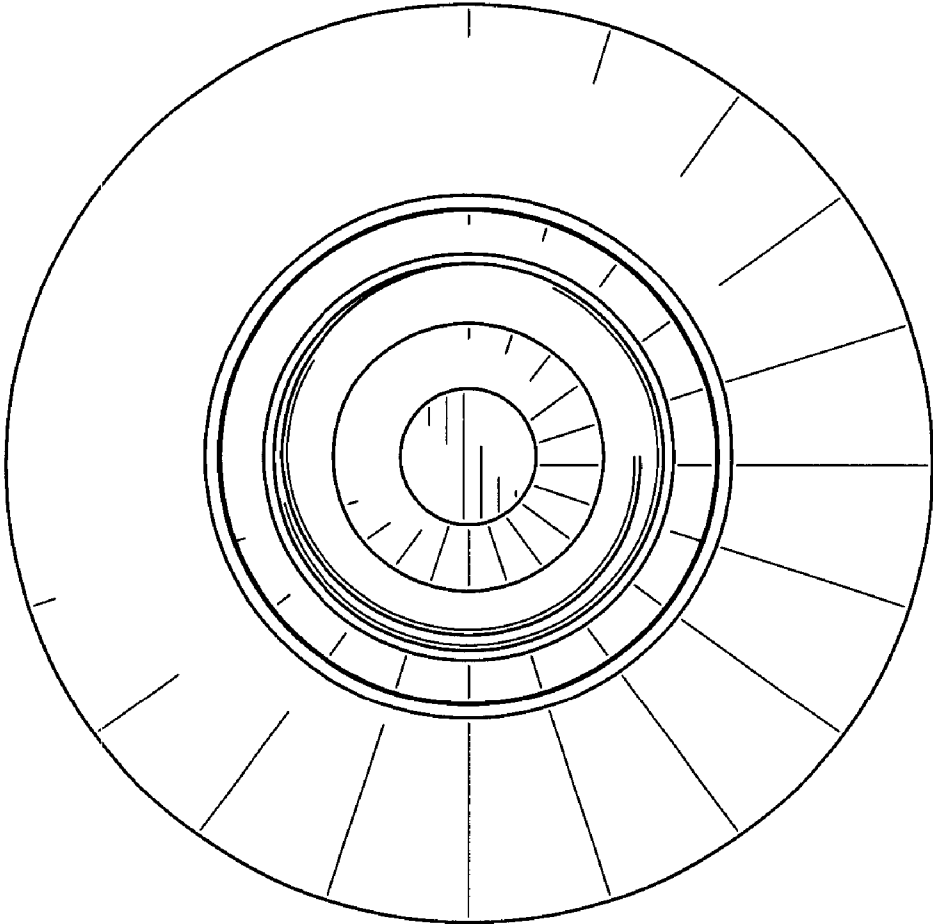


FIG. 7

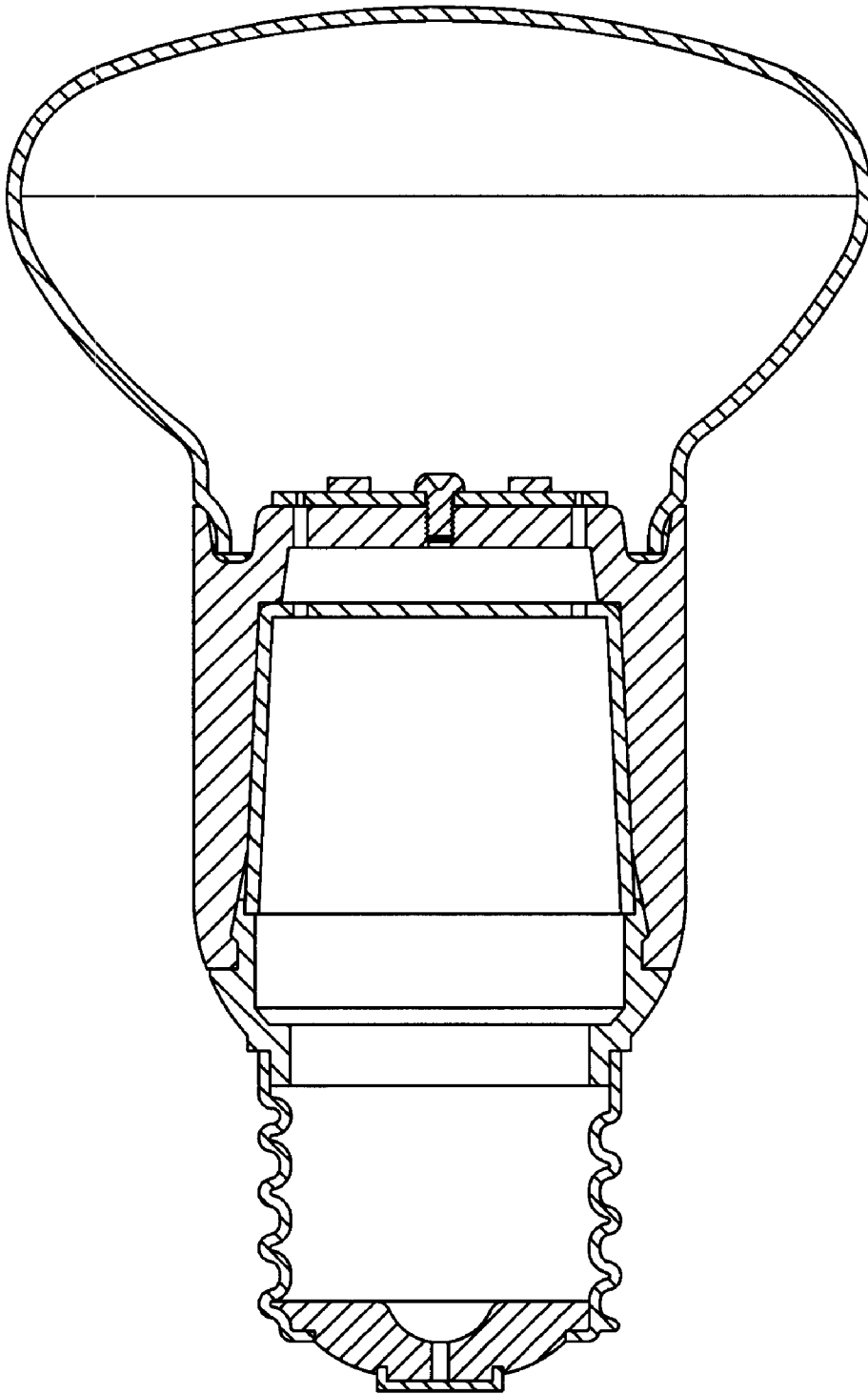


FIG. 8

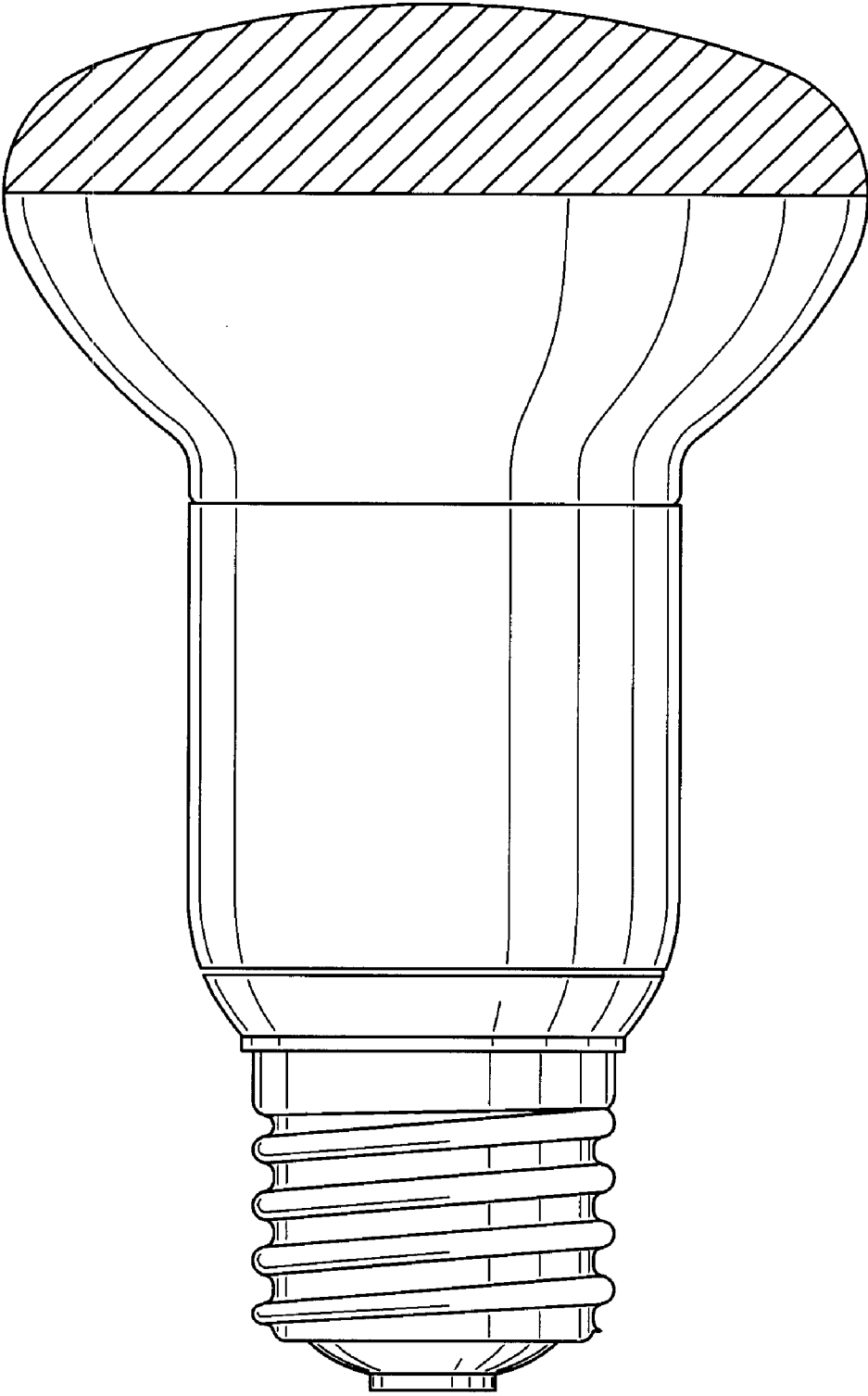


FIG. 9