



US0D1069092S

(12) **United States Design Patent**  
**Carr et al.**

(10) **Patent No.:** **US D1,069,092 S**

(45) **Date of Patent:** **\*\* Apr. 1, 2025**

(54) **VENT BAFFLE**

(71) Applicant: **ADO PRODUCTS, LLC**, Rogers, MN (US)

(72) Inventors: **Stephen Paul Carr**, Poland, ME (US);  
**Patrick John Jacobson**, St. Francis, MN (US)

(73) Assignee: **ADO PRODUCTS, LLC**, Rogers, MN (US)

(\*\*) Term: **15 Years**

(21) Appl. No.: **29/885,385**

(22) Filed: **Feb. 23, 2023**

(51) **LOC (15) Cl.** ..... **23-03**

(52) **U.S. Cl.**  
USPC ..... **D23/393**

(58) **Field of Classification Search**  
USPC ..... D23/386, 389, 391-392, 397, 387, 388, D23/393  
CPC ..... F24F 13/08; F24F 13/081  
See application file for complete search history.

(56) **References Cited**

**U.S. PATENT DOCUMENTS**

D318,328 S *	7/1991 Brennan	.....	D25/138
D318,527 S *	7/1991 Groenewold	.....	D25/138
D320,848 S *	10/1991 Cutshall	.....	D23/393
D377,829 S *	2/1997 Andresen	.....	D23/393

**OTHER PUBLICATIONS**

Durovent with Baffle Attic Vent Channel; Date First Available: Dec. 30, 2011; <https://www.amazon.com/Durovent-Baffle-Attic-Vent->

Channel/dp/B006RIPBVC (Year: 2011).\*  
ADO Product Catalog, pp. 4-5; 2021; <https://www.adoproducts.com/> (Year: 2021).\*

\* cited by examiner

*Primary Examiner* — George J Ulsh  
*Assistant Examiner* — Andrea Marie McKay  
(74) *Attorney, Agent, or Firm* — Barnes & Thornburg LLP

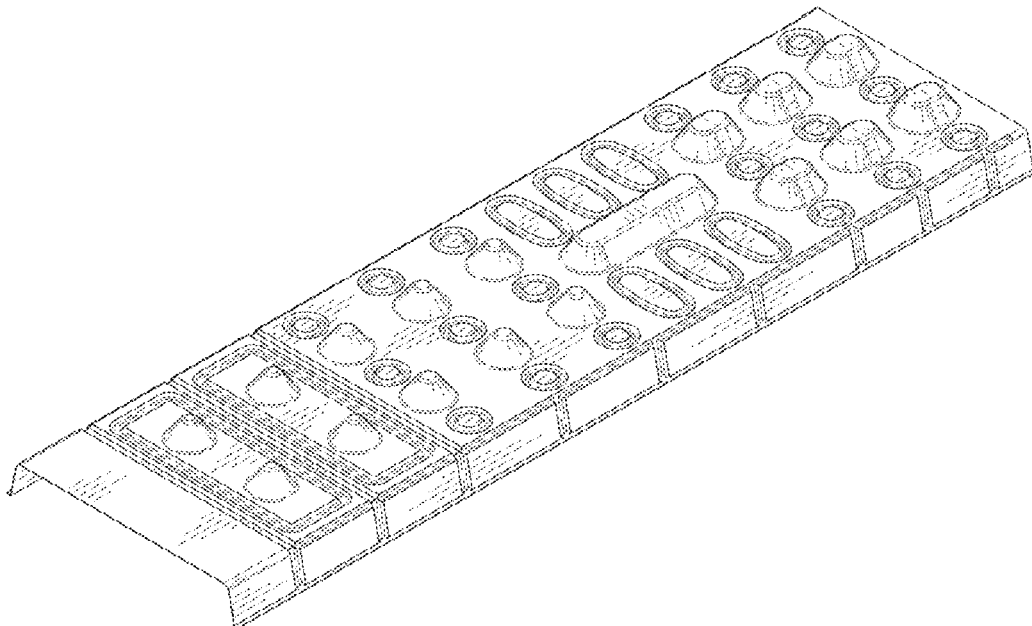
(57) **CLAIM**

The ornamental design for a vent baffle as shown and described.

**DESCRIPTION**

FIG. 1 is an upper front perspective view of a vent baffle in accordance with our new design;  
FIG. 2 is an upper rear perspective of the vent baffle of FIG. 1;  
FIG. 3 is a front elevation view of the vent baffle of FIG. 1;  
FIG. 4 is a rear elevation view of the vent baffle of FIG. 1;  
FIG. 5 is a right side elevation view of the vent baffle of FIG. 1;  
FIG. 6 is a left side elevation view of the vent baffle of FIG. 1;  
FIG. 7 is a top plan view of the vent baffle of FIG. 1; and, FIG. 8 is a bottom plan view of the vent baffle of FIG. 1. The broken lines shown depict portions of the vent baffle that form no part of the claim.

**1 Claim, 6 Drawing Sheets**



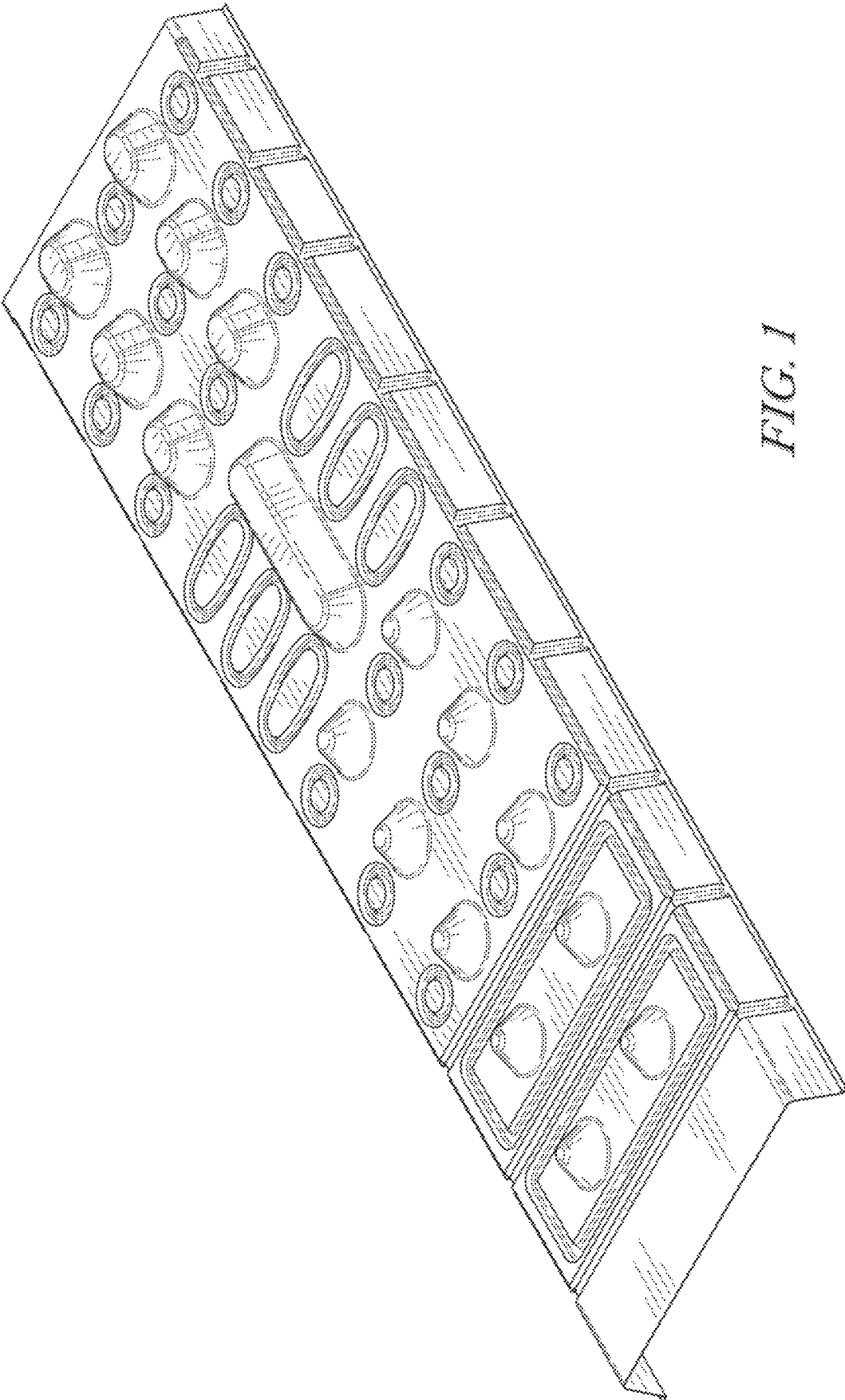


FIG. 1

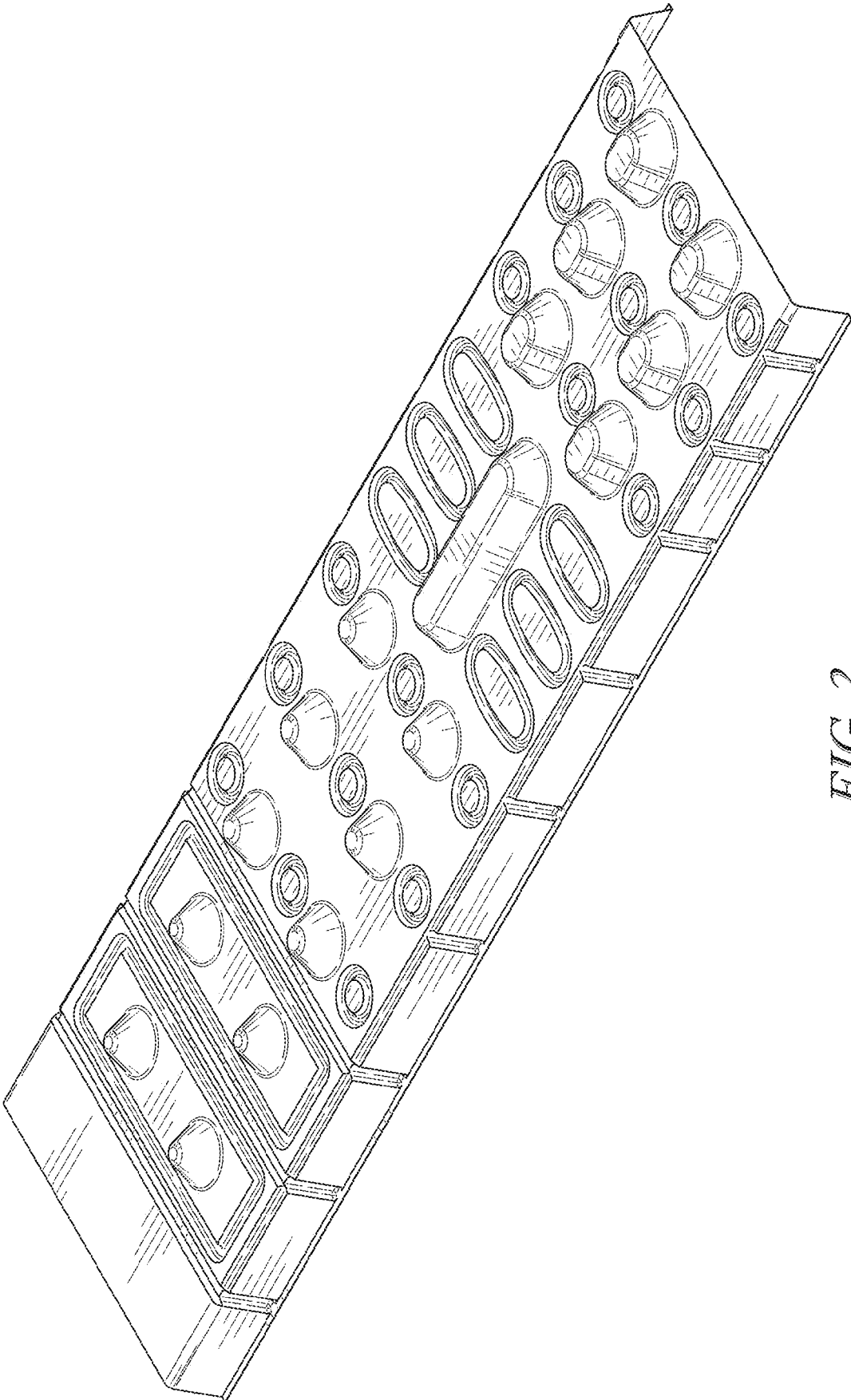
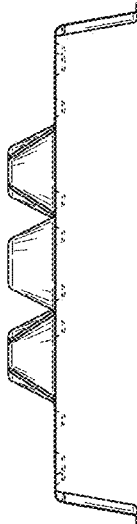
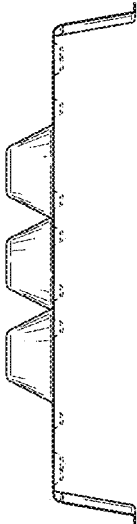


FIG. 2



*FIG. 3*



*FIG. 4*

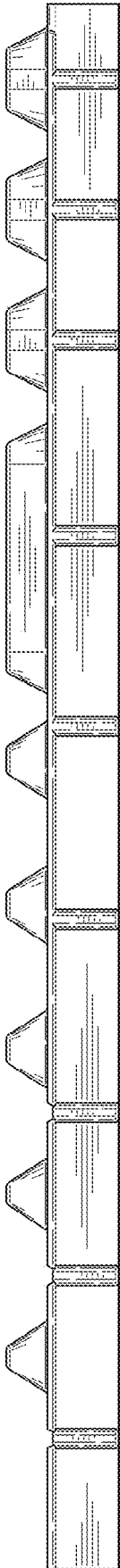


FIG. 5

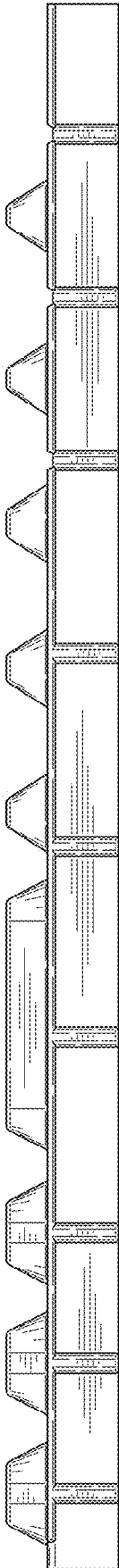


FIG. 6

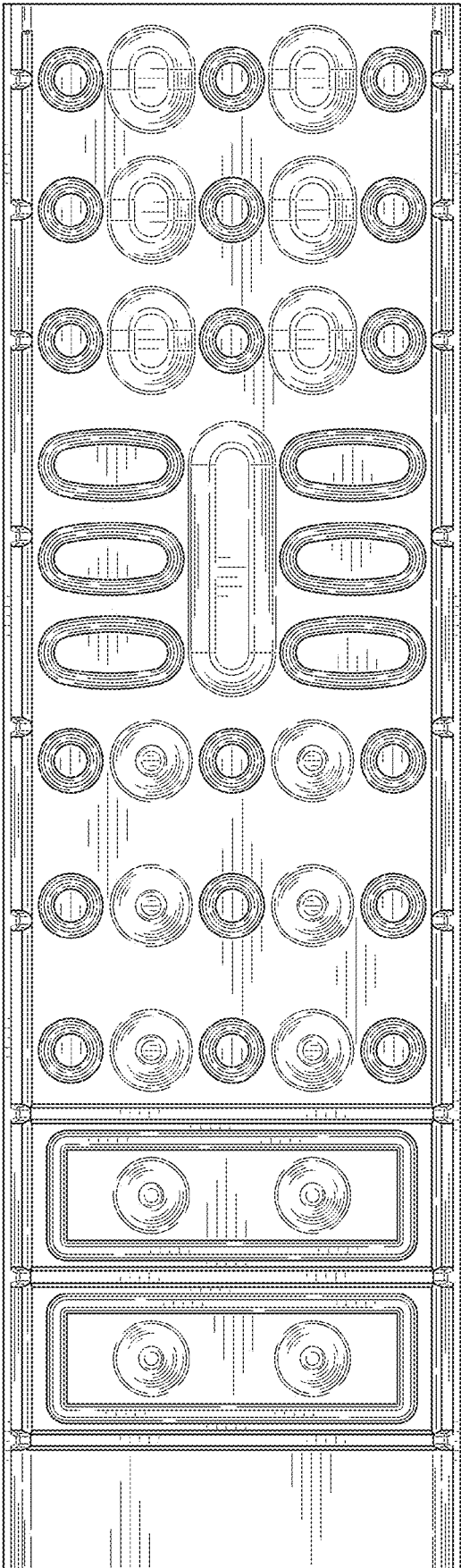


FIG. 7

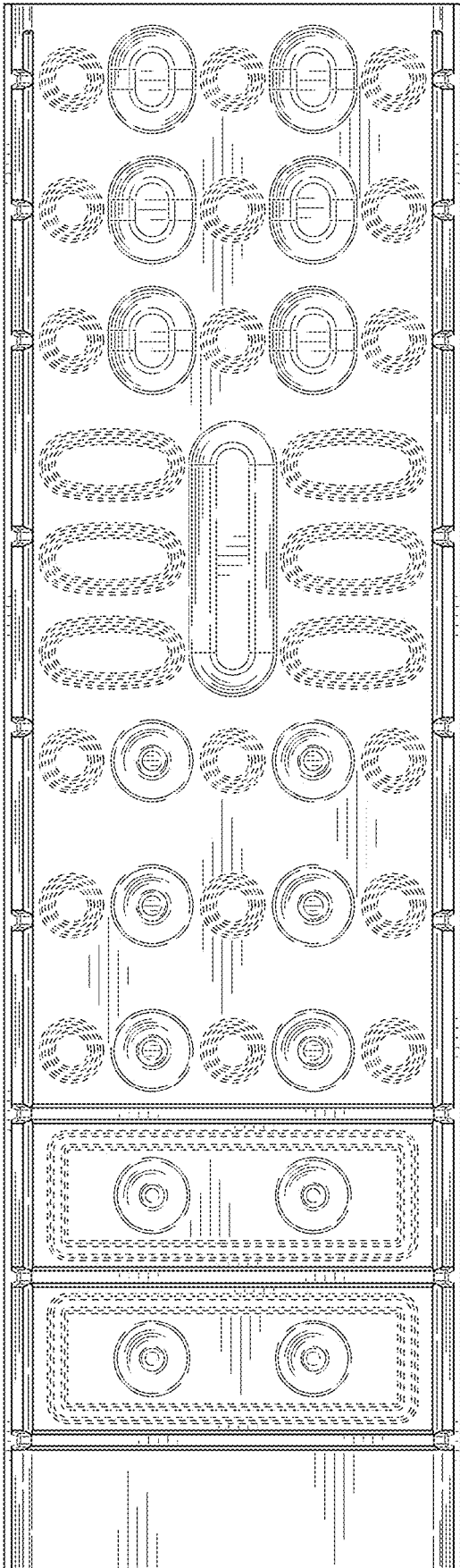


FIG. 8