



US00D617293S

(12) **United States Design Patent**
Yoshihashi

(10) **Patent No.:** **US D617,293 S**

(45) **Date of Patent:** **** Jun. 8, 2010**

(54) **MOBILE PHONE**

(75) Inventor: **Kentaro Yoshihashi**, Tokyo (JP)

(73) Assignee: **Fujitsu Limited**, Kawasaki (JP)

(**) Term: **14 Years**

(21) Appl. No.: **29/311,908**

(22) Filed: **Jul. 30, 2009**

(30) **Foreign Application Priority Data**

Jan. 30, 2009 (JP) 2009-001840

(51) **LOC (9) Cl.** **14-03**

(52) **U.S. Cl.** **D14/138 AD; D14/138 G**

(58) **Field of Classification Search** D14/138 R,
D14/138 AD, 138 AC, 138 C, 138 G, 191,
D14/203.1-203.8, 496, 138 AA, 138 AB,
D14/247-248, 137, 147, 218, 341-347;
D10/65, 78, 104; D13/168; D18/7; 455/566,
455/575.1, 575.3

See application file for complete search history.

(56) **References Cited**

U.S. PATENT DOCUMENTS

- D337,569 S * 7/1993 Kando D14/341
- 6,415,138 B2 * 7/2002 Sirola et al. 455/90.1
- D479,214 S * 9/2003 Bertrand et al. D14/138 AD
- D491,156 S * 6/2004 Kawakami et al. D14/138 G
- D498,754 S * 11/2004 Blyth D14/341
- D530,699 S * 10/2006 Lee et al. D14/138 G
- 7,181,256 B2 * 2/2007 Hyun et al. 455/575.3
- D548,713 S * 8/2007 Lee et al. D14/138 AD
- D554,098 S * 10/2007 Lee D14/138 AD
- D555,134 S * 11/2007 Sung et al. D14/138 AC
- D558,720 S * 1/2008 Lee et al. D14/138 AD
- D573,143 S * 7/2008 Park et al. D14/341
- D578,098 S * 10/2008 Oh D14/138 AD
- D578,503 S * 10/2008 Shin et al. D14/138 AD
- D580,396 S * 11/2008 Kang D14/138 G
- D585,411 S * 1/2009 Eaton D14/138 G
- D589,924 S * 4/2009 Jung et al. D14/138 AD
- D592,628 S * 5/2009 Kim et al. D14/138 AD

- D593,552 S * 6/2009 Ferrari et al. D14/341
- D593,987 S * 6/2009 Lin D14/138 AB
- D602,463 S * 10/2009 Eguchi D14/138 G
- D606,505 S * 12/2009 Seflic et al. D14/138 G
- 2002/0061770 A1 * 5/2002 Ozaki 455/566
- 2007/0123322 A1 * 5/2007 Mizushima 455/575.1
- 2007/0232368 A1 * 10/2007 Feightner et al. 455/575.1
- 2009/0291678 A1 * 11/2009 Lee et al. 455/418

OTHER PUBLICATIONS

HTC Touch Pro2, announced Feb. 2009, [online], [retrieved on Feb. 20, 2009]. Retrieved from Internet, <URL: <http://www.gsmarena.com>>.*

(Continued)

Primary Examiner—Jeffrey D Asch
Assistant Examiner—Bridget L Eland
(74) *Attorney, Agent, or Firm*—Staas & Halsey LLP

(57) **CLAIM**

The ornamental design for a mobile phone, as shown and described.

DESCRIPTION

FIG. 1 is a front perspective view of the front, right and top of a mobile phone showing my new design;

FIG. 2 is a front view thereof;

FIG. 3 is a rear view thereof;

FIG. 4 is a top plan view thereof;

FIG. 5 is a bottom view thereof;

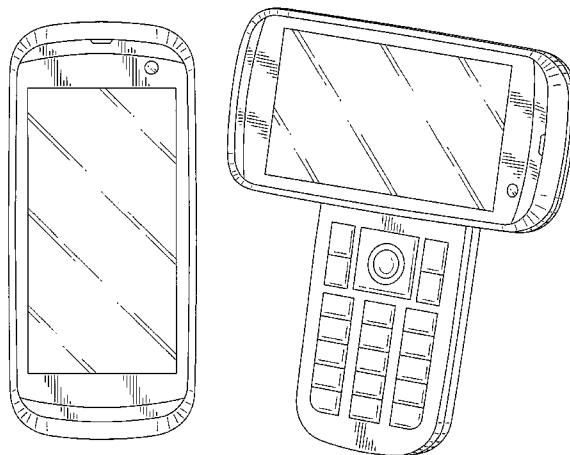
FIG. 6 is a left side view thereof;

FIG. 7 is a right side view thereof;

FIG. 8 is a perspective view showing the state of upwardly slid condition thereof; and,

FIG. 9 is a perspective view showing the state of turning to the right at an angle of 90 degrees from the slid condition thereof.

1 Claim, 6 Drawing Sheets



OTHER PUBLICATIONS

LG KF700, announced Feb. 2008, [online], [retrieved on Mar. 21, 2008 & May 14, 2008]. Retrieved from Internet ,<URL: <http://www.gsmarena.com>>.*

LG KM555E, announced Nov. 2009, [online], [retrieved on Nov. 20, 2009]. Retrieved from Internet ,<URL: <http://www.gsmarena.com>>.*

Nokia 5800 XpressMusic, announced Oct. 2008, [online], [retrieved on Oct. 3, 2008]. Retrieved from Internet ,<URL: <http://www.gsmarena.com>>.*

Nokia 5800 Navigation Edition, announced Aug. 2009, [online], [retrieved on Sep. 4, 2009]. Retrieved from Internet ,<URL: <http://www.gsmarena.com>>.*

Nokia 5230, announced Aug. 2009, [online], [retrieved on Sep. 4, 2009]. Retrieved from Internet ,<URL: <http://www.gsmarena.com>>.*

Nokia 5235 Comes With Music, announced Dec. 2009, [online], [retrieved on Jan. 4, 2010]. Retrieved from Internet ,<URL: <http://www.gsmarena.com>>.*

Acer F900, announced Feb. 2009, [online], [retrieved on Oct. 2, 2009]. Retrieved from Internet ,<URL: <http://www.gsmarena.com>>.*

Docomo Prime Series N-06A, electronic brochure printed on Sep. 15, 2009.

Docomo Prime Series N-07A, electronic brochure printed on Sep. 15, 2009.

Aquos W64SH, electronic brochure printed on Sep. 15, 2009.

* cited by examiner

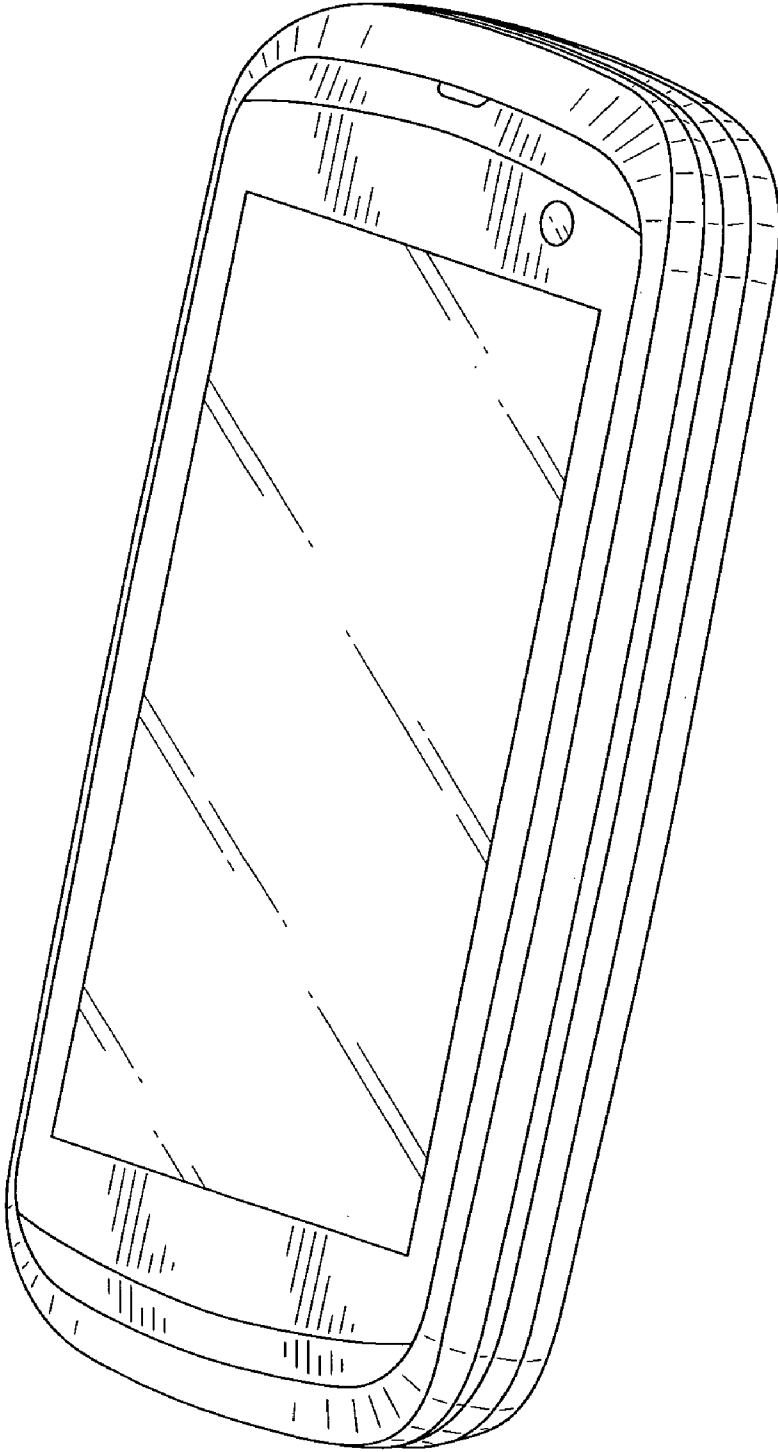


FIG. 1

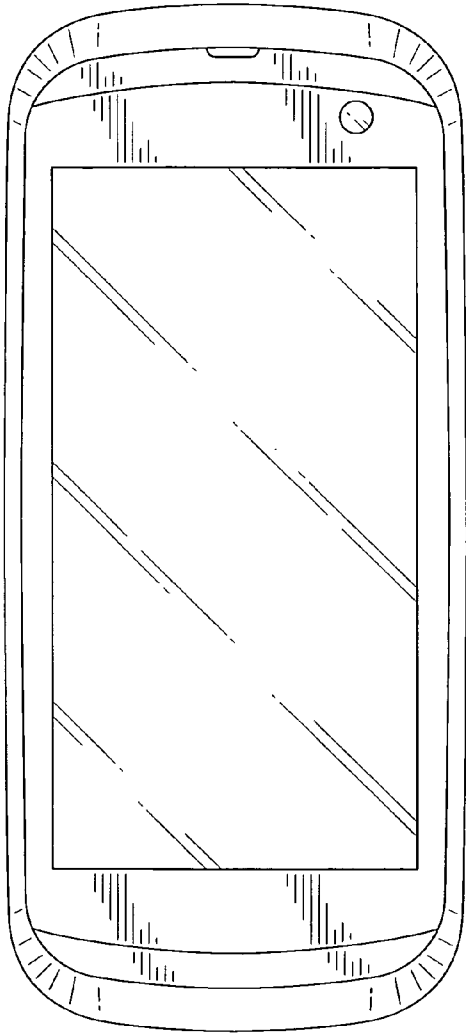


FIG. 2

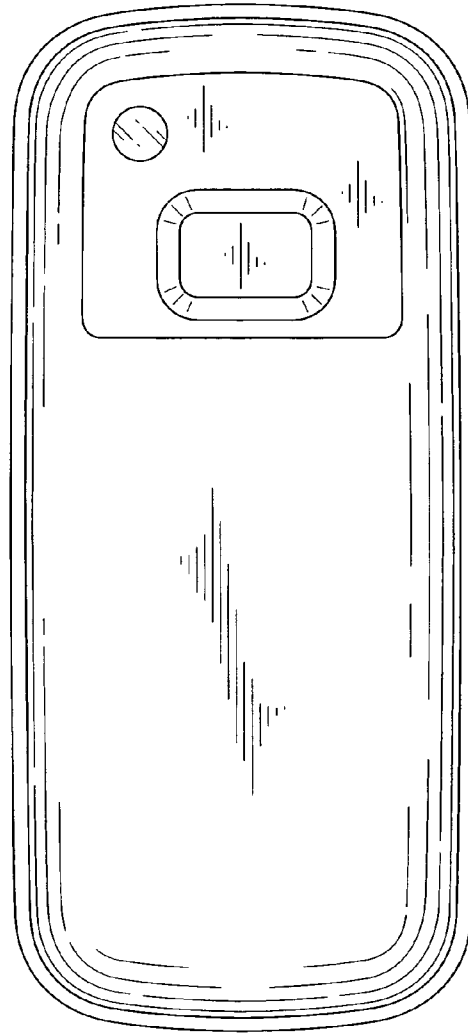


FIG. 3

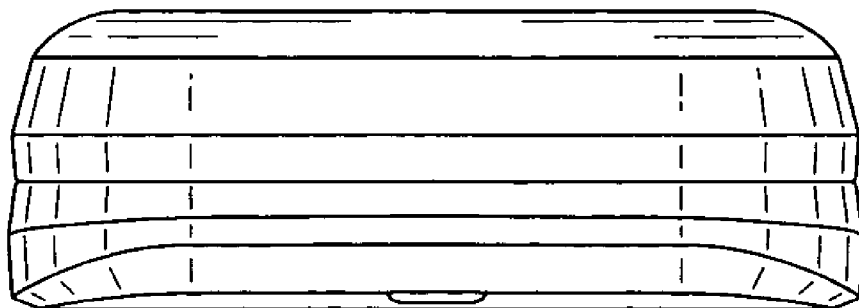


FIG. 4



FIG. 5

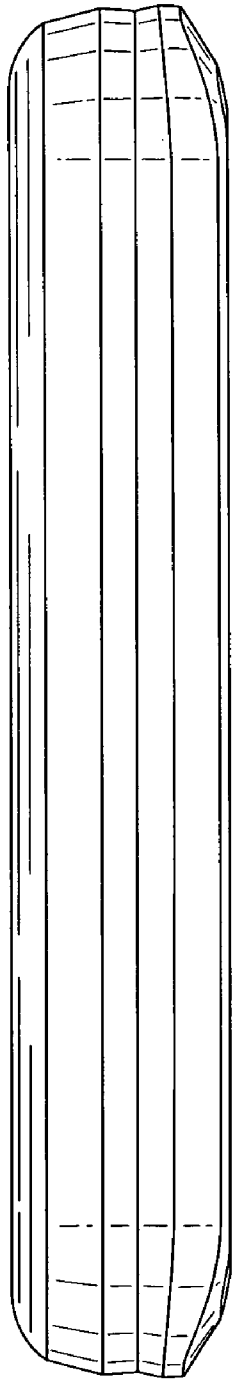


FIG. 6

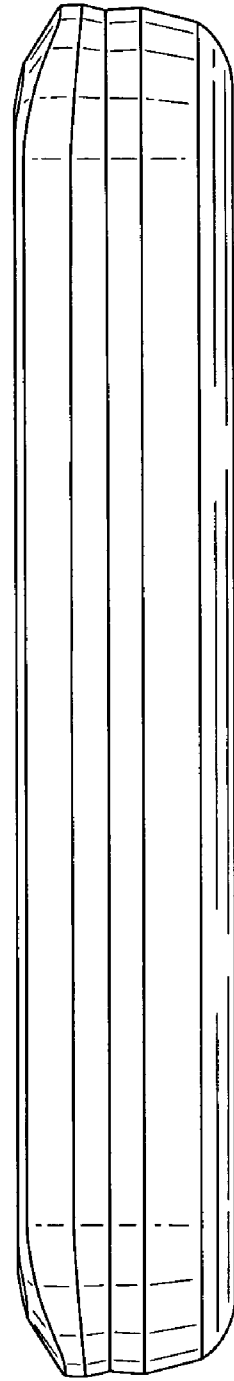


FIG. 7

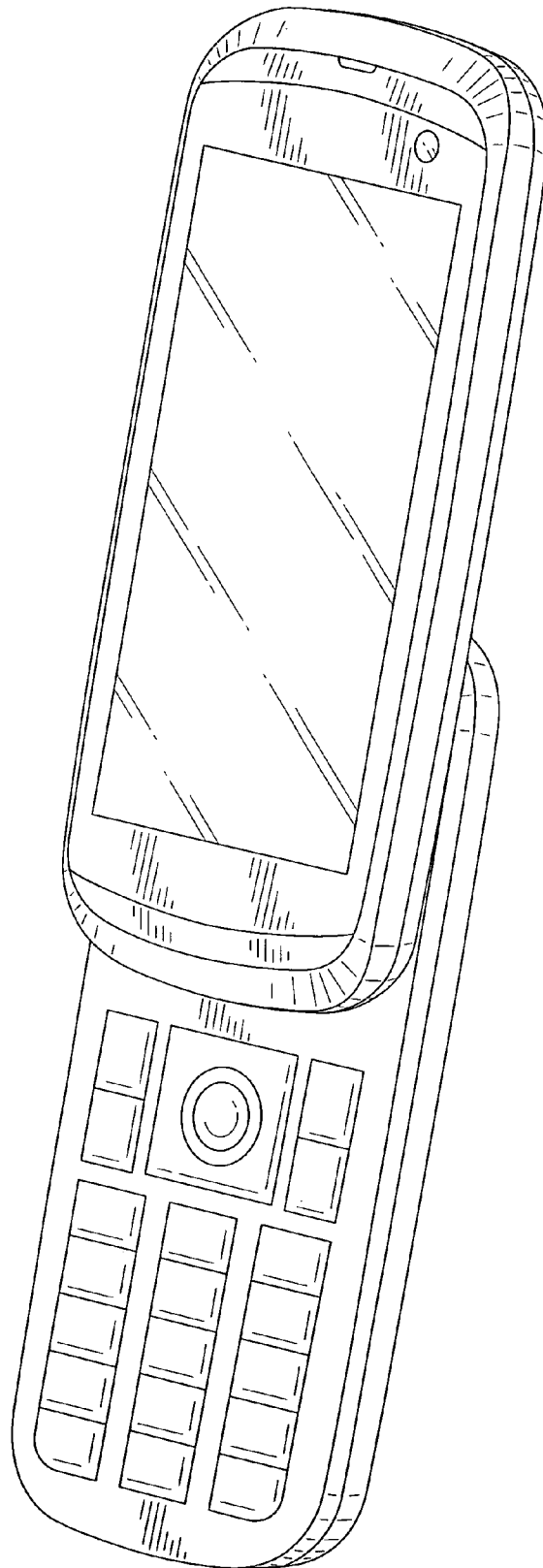


FIG. 8

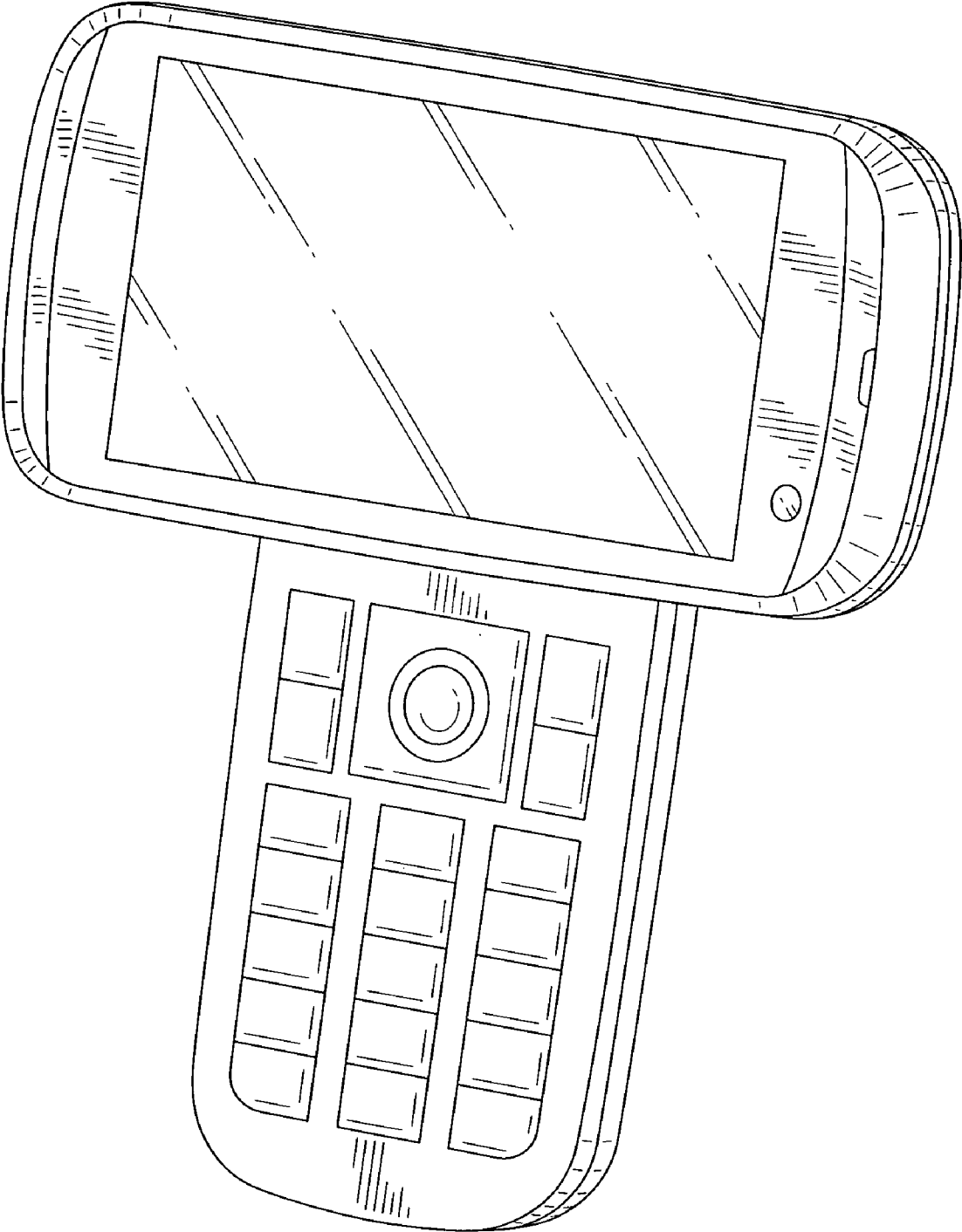


FIG. 9