

(19) World Intellectual Property Organization  
International Bureau



(43) International Publication Date  
30 April 2009 (30.04.2009)

PCT

(10) International Publication Number  
**WO 2009/055759 A3**

- (51) International Patent Classification:  
G06F 9/44 (2006.01) G06F 9/06 (2006.01)  
G06F 15/00 (2006.01)
- (21) International Application Number:  
PCT/US2008/081239
- (22) International Filing Date: 26 October 2008 (26.10.2008)
- (25) Filing Language: English
- (26) Publication Language: English
- (30) Priority Data:  
11/925,741 26 October 2007 (26.10.2007) US
- (71) Applicant (for all designated States except US): **MICROSOFT CORPORATION** [US/US]; One Microsoft Way, Redmond, Washington 98052-6399 (US).
- (72) Inventors: **WILLIAMS, Antony Scott**; c/o Microsoft Corporation, LCA, International Patents, One Microsoft Way, Redmond, Washington 98052-6399 (US). **JAYDEVAN, Siddharth**; c/o Microsoft Corporation, LCA, International Patents, One Microsoft Way, Redmond, Washington 98052-6399 (US). **GITTELMAN, Arye**; c/o Microsoft Corporation, LCA, International Patents, One Microsoft Way, Redmond, Washington 98052-6399 (US). **AITKEN, William E.**; c/o Microsoft Corporation, LCA, International Patents, One Microsoft Way, Redmond,

Washington 98052-6399 (US). **KENT, Simon D.**; c/o Microsoft Corporation, LCA, International Patents, One Microsoft Way, Redmond, Washington 98052-6399 (US). **HRISTOV, Vladimir Nedkov**; c/o Microsoft Corporation, LCA, International Patents, One Microsoft Way, Redmond, Washington 98052-6399 (US).

(74) Agent: **ALLEN, Michael, B.**; Microsoft Corporation, One Microsoft Way, Redmond, WA 98052-6399 (US).

(81) Designated States (unless otherwise indicated, for every kind of national protection available): AE, AG, AL, AM, AO, AT, AU, AZ, BA, BB, BG, BH, BR, BW, BY, BZ, CA, CH, CN, CO, CR, CU, CZ, DE, DK, DM, DO, DZ, EC, EE, EG, ES, FI, GB, GD, GE, GH, GM, GT, HN, HR, HU, ID, IL, IN, IS, JP, KE, KG, KM, KN, KP, KR, KZ, LA, LC, LK, LR, LS, LT, LU, LY, MA, MD, ME, MG, MK, MN, MW, MX, MY, MZ, NA, NG, NI, NO, NZ, OM, PG, PH, PL, PT, RO, RS, RU, SC, SD, SE, SG, SK, SL, SM, ST, SV, SY, TJ, TM, TN, TR, TT, TZ, UA, UG, US, UZ, VC, VN, ZA, ZM, ZW.

(84) Designated States (unless otherwise indicated, for every kind of regional protection available): ARIPO (BW, GH, GM, KE, LS, MW, MZ, NA, SD, SL, SZ, TZ, UG, ZM, ZW), Eurasian (AM, AZ, BY, KG, KZ, MD, RU, TJ, TM), European (AT, BE, BG, CH, CY, CZ, DE, DK, EE, ES, FI,

[Continued on next page]

(54) Title: DECLARATIVE MODEL INTERPRETATION

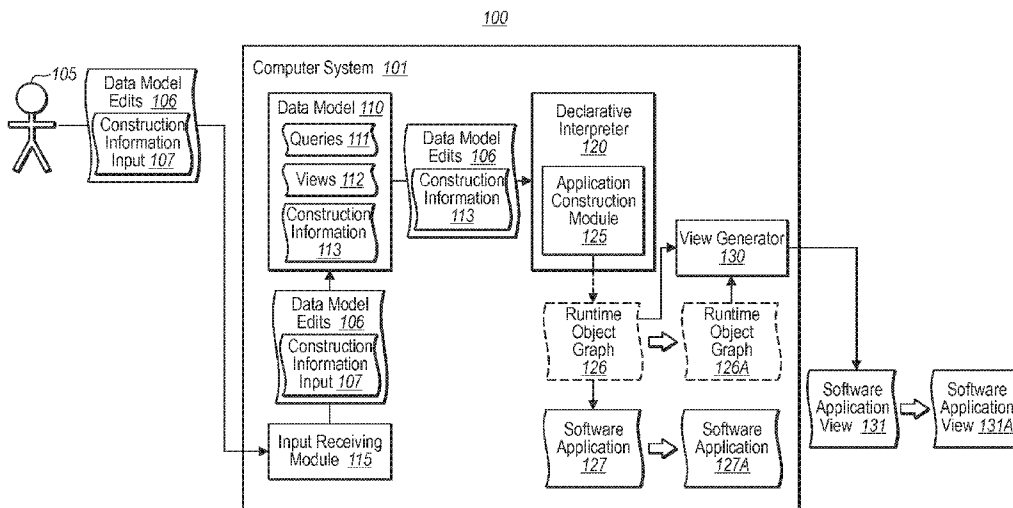


FIG. 1

(57) Abstract: Embodiments described herein are directed to the constructing software applications based on data models and automatically reconfiguring runtime object graphs according to data model edits input by a user. In one embodiment, a computer system performs a method for constructing at least a portion of a software application based on a data model. The computer system accesses a data model that includes user-configurable construction information indicating how at least a portion of a software application is to be constructed. The declarative interpreter is configured to construct an application based on the construction information in the data model. The computer system interprets the construction information in the data model to determine how to construct at least a portion of the software application. The computer system also constructs at least a portion of the software application based on the interpretation of the construction information in the data model.

WO 2009/055759 A3



FR, GB, GR, HR, HU, IE, IS, IT, LT, LU, LV, MC, MT, NL,  
NO, PL, PT, RO, SE, SI, SK, TR), OAPI (BF, BJ, CF, CG,  
CI, CM, GA, GN, GQ, GW, ML, MR, NE, SN, TD, TG).

**Published:**

- *with international search report*
- *before the expiration of the time limit for amending the claims and to be republished in the event of receipt of amendments*

**Declarations under Rule 4.17:**

- *as to applicant's entitlement to apply for and be granted a patent (Rule 4.17(ii))*
- *as to the applicant's entitlement to claim the priority of the earlier application (Rule 4.17(iii))*

**(88) Date of publication of the international search report:**  
2 July 2009

## INTERNATIONAL SEARCH REPORT

International application No.  
**PCT/US2008/081239****A. CLASSIFICATION OF SUBJECT MATTER***G06F 9/44(2006.01)i, G06F 15/00(2006.01)i, G06F 9/06(2006.01)i*

According to International Patent Classification (IPC) or to both national classification and IPC

**B. FIELDS SEARCHED**

Minimum documentation searched (classification system followed by classification symbols)

IPC : G06F

Documentation searched other than minimum documentation to the extent that such documents are included in the fields searched

Korean Utility Models and applications for utility models since 1975  
Japanese Utility Models and applications for utility models since 1975

Electronic data base consulted during the international search (name of data base and, where practicable, search terms used)

eKIPASS(KIPO internal), IEEE xpl, Google : "declarative model", "change", "propagate"

**C. DOCUMENTS CONSIDERED TO BE RELEVANT**

Category*	Citation of document, with indication, where appropriate, of the relevant passages	Relevant to claim No.
X	US 2005-0273763 A1 (BENDSEN PER. et al.) 08 December 2005 See abstract, description [0048]-[0083], Figures 3.2 - 7, claims	1-4, 9-10, 15
A	US 2006-0070086 A1 (WANG KUANSAN) 30 March 2006 See abstract, claims	1-15
A	US 2007-0043803 A1 (WHITEHOUSE KAMIN. et al.) 22 February 2007 See abstract, claims	1-15
A	US 2007-0094609 A1 (GILBOA YUVAL. et al.) 26 April 2007 See abstract, claims	1-15

 Further documents are listed in the continuation of Box C. See patent family annex.

\* Special categories of cited documents:

"A" document defining the general state of the art which is not considered to be of particular relevance

"E" earlier application or patent but published on or after the international filing date

"L" document which may throw doubts on priority claim(s) or which is cited to establish the publication date of citation or other special reason (as specified)

"O" document referring to an oral disclosure, use, exhibition or other means

"P" document published prior to the international filing date but later than the priority date claimed

"T" later document published after the international filing date or priority date and not in conflict with the application but cited to understand the principle or theory underlying the invention

"X" document of particular relevance; the claimed invention cannot be considered novel or cannot be considered to involve an inventive step when the document is taken alone

"Y" document of particular relevance; the claimed invention cannot be considered to involve an inventive step when the document is combined with one or more other such documents, such combination being obvious to a person skilled in the art

"&amp;" document member of the same patent family

Date of the actual completion of the international search

12 MAY 2009 (12.05.2009)

Date of mailing of the international search report

**18 MAY 2009 (18.05.2009)**

Name and mailing address of the ISA/KR

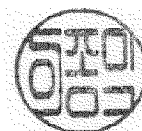
Korean Intellectual Property Office  
Government Complex-Daejeon, 139 Seonsa-ro, Seo-  
gu, Daejeon 302-701, Republic of Korea

Facsimile No. 82-42-472-7140

Authorized officer

LEE, Jong Iek

Telephone No. 82-42-481-8373



**INTERNATIONAL SEARCH REPORT**

Information on patent family members

International application No.

**PCT/US2008/081239**

Patent document cited in search report	Publication date	Patent family member(s)	Publication date
US 2005-0273763 A1	08.12.2005	NONE	
US 2006-0070086 A1	30.03.2006	NONE	
US 2007-0043803 A1	22.02.2007	NONE	
US 2007-0094609 A1	26.04.2007	EP 1770510 A2	04.04.2007