

(19) World Intellectual Property Organization
International Bureau



(43) International Publication Date
12 June 2008 (12.06.2008)

PCT

(10) International Publication Number
WO 2008/070445 A3

- (51) International Patent Classification:
G02B 6/44 (2006.01) H01R 9/24 (2006.01)
- (21) International Application Number:
PCT/US2007/085209
- (22) International Filing Date:
20 November 2007 (20.11.2007)
- (25) Filing Language: English
- (26) Publication Language: English
- (30) Priority Data:
11/607,676 1 December 2006 (01.12.2006) US
- (71) Applicant (for all designated States except US): ADC TELECOMMUNICATIONS, INC. [US/US]; 13625 Technology Drive, Eden Prairie, MN 55344-2252 (US).
- (72) Inventors; and
- (75) Inventors/Applicants (for US only): SOLHEID, James, J. [US/US]; 10554 170th St. W., Lakeville, MN 55044 (US). WALTERS, Cindy, S. [US/US]; 17201 Woodview Court Se, Prior Lake, MN 55372 (US). SMITH, Trevor, D. [US/US]; 17860 Liv Lane, Eden Prairie, MN 55346 (US). BRAN DE LEON, Oscar [GT/US]; 736 S. Elm Street, Belle Plaine, MN 56011 (US).
- (74) Agent: BRUESS, Steven, C.; Merchant & Gould P.c., P.o. Box 2903, Minneapolis, MN 55402-0903 (US).

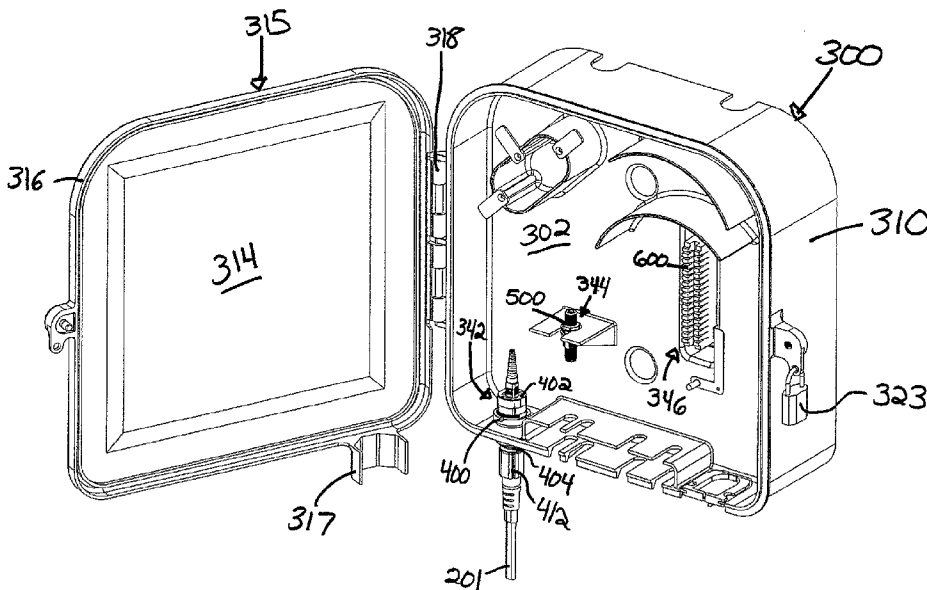
- (81) Designated States (unless otherwise indicated, for every kind of national protection available): AE, AG, AL, AM, AT, AU, AZ, BA, BB, BG, BH, BR, BW, BY, BZ, CA, CH, CN, CO, CR, CU, CZ, DE, DK, DM, DO, DZ, EC, EE, EG, ES, FI, GB, GD, GE, GH, GM, GT, HN, HR, HU, ID, IL, IN, IS, JP, KE, KG, KM, KN, KP, KR, KZ, LA, LC, LK, LR, LS, LT, LU, LY, MA, MD, ME, MG, MK, MN, MW, MX, MY, MZ, NA, NG, NI, NO, NZ, OM, PG, PH, PL, PT, RO, RS, RU, SC, SD, SE, SG, SK, SL, SM, SV, SY, TJ, TM, TN, TR, TT, TZ, UA, UG, US, UZ, VC, VN, ZA, ZM, ZW.
- (84) Designated States (unless otherwise indicated, for every kind of regional protection available): ARIPO (BW, GH, GM, KE, LS, MW, MZ, NA, SD, SL, SZ, TZ, UG, ZM, ZW), Eurasian (AM, AZ, BY, KG, KZ, MD, RU, TJ, TM), European (AT, BE, BG, CH, CY, CZ, DE, DK, EE, ES, FI, FR, GB, GR, HU, IE, IS, IT, LT, LU, LV, MC, MT, NL, PL, PT, RO, SE, SI, SK, TR), OAPI (BF, BJ, CF, CG, CI, CM, GA, GN, GQ, GW, ML, MR, NE, SN, TD, TG).

Published:

- with international search report
- before the expiration of the time limit for amending the claims and to be republished in the event of receipt of amendments

[Continued on next page]

(54) Title: NETWORK INTERFACE DEVICE



(57) Abstract: A network interface device includes a body, a cover (315), and a cable spool. The front of the body defines a forward interior in which telecommunications components are arranged. An optical adapter (400) extends partially out of the forward interior at an optical coupling location. The cover includes a shroud (317) that extends over the portion of the optical adapter extending out of the forward interior when the cover is closed. Sidewalls extend from the rear of the body to define a rearward pocket. The cable spool can be removably mounted within the rearward pocket. Alternatively, the cable spool can be fixed to the body and the sidewalls can be removed from the body to allow access to the cable spool.

WO 2008/070445 A3



(88) Date of publication of the international search report:
2 October 2008

INTERNATIONAL SEARCH REPORT

International application No.
PCT/US2007/085209

A. CLASSIFICATION OF SUBJECT MATTER
INV. G02B6/44 H01R9/24

According to International Patent Classification (IPC) or to both national classification and IPC

B. FIELDS SEARCHED

Minimum documentation searched (classification system followed by classification symbols)
G02B H01R

Documentation searched other than minimum documentation to the extent that such documents are included in the fields searched

Electronic data base consulted during the international search (name of data base and, where practical, search terms used)

EPO-Internal, WPI Data

C. DOCUMENTS CONSIDERED TO BE RELEVANT

Category*	Citation of document, with indication, where appropriate, of the relevant passages	Relevant to claim No.
X	US 5 638 481 A (ARNETT JAIME R [US]) 10 June 1997 (1997-06-10) column 5, line 30 - column 6, line 15; figure 1	1
A	-----	2-4
X	US 5 659 650 A (ARNETT JAIME RAY [US]) 19 August 1997 (1997-08-19) column 5, line 30 - column 6, line 14	1
A	-----	2-4
A	US 4 976 510 A (DAVILA DAN I [US] ET AL) 11 December 1990 (1990-12-11) the whole document	1-4
X	US 2005/213920 A1 (TANAKA SATORU [JP] ET AL) 29 September 2005 (2005-09-29) the whole document	5
	----- -/--	

Further documents are listed in the continuation of Box C.

See patent family annex.

* Special categories of cited documents :

A document defining the general state of the art which is not considered to be of particular relevance

E earlier document but published on or after the international filing date

L document which may throw doubts on priority claim(s) or which is cited to establish the publication date of another citation or other special reason (as specified)

O document referring to an oral disclosure, use, exhibition or other means

P document published prior to the international filing date but later than the priority date claimed

T later document published after the international filing date or priority date and not in conflict with the application but cited to understand the principle or theory underlying the invention

X document of particular relevance; the claimed invention cannot be considered novel or cannot be considered to involve an inventive step when the document is taken alone

Y document of particular relevance; the claimed invention cannot be considered to involve an inventive step when the document is combined with one or more other such documents, such combination being obvious to a person skilled in the art.

Z document member of the same patent family

Date of the actual completion of the international search

6 August 2008

Date of mailing of the international search report

18/08/2008

Name and mailing address of the ISA/

European Patent Office, P.B. 5818 Patentlaan 2
NL - 2280 HV Rijswijk
Tel. (+31-70) 340-2040, Tx. 31 651 epo nl,
Fax: (+31-70) 340-3016

Authorized officer

Frisch, Anna Maria

INTERNATIONAL SEARCH REPORT

International application No
PCT/US2007/085209

C(Continuation). DOCUMENTS CONSIDERED TO BE RELEVANT		
Category*	Citation of document, with indication, where appropriate, of the relevant passages	Relevant to claim No.
X	US 6 315 598 B1 (ELLIOT DOUGLAS G [US] ET AL) 13 November 2001 (2001-11-13) the whole document -----	6-12
A	EP 1 589 361 A (AGILENT TECHNOLOGIES INC [US]) 26 October 2005 (2005-10-26) the whole document -----	13-21

INTERNATIONAL SEARCH REPORT

International application No.
PCT/US2007/085209

Box No. II Observations where certain claims were found unsearchable (Continuation of item 2 of first sheet)

This international search report has not been established in respect of certain claims under Article 17(2)(a) for the following reasons:

1. Claims Nos.:
because they relate to subject matter not required to be searched by this Authority, namely:

2. Claims Nos.:
because they relate to parts of the international application that do not comply with the prescribed requirements to such an extent that no meaningful international search can be carried out, specifically:

3. Claims Nos.:
because they are dependent claims and are not drafted in accordance with the second and third sentences of Rule 6.4(a).

Box No. III Observations where unity of invention is lacking (Continuation of item 3 of first sheet)

This International Searching Authority found multiple inventions in this international application, as follows:

see additional sheet

1. As all required additional search fees were timely paid by the applicant, this international search report covers allsearchable claims.
2. As all searchable claims could be searched without effort justifying an additional fees, this Authority did not invite payment of additional fees.
3. As only some of the required additional search fees were timely paid by the applicant, this international search report covers only those claims for which fees were paid, specifically claims Nos.:
4. No required additional search fees were timely paid by the applicant. Consequently, this international search report is restricted to the invention first mentioned in the claims; it is covered by claims Nos.:

Remark on Protest

- The additional search fees were accompanied by the applicant's protest and, where applicable, the payment of a protest fee.
- The additional search fees were accompanied by the applicant's protest but the applicable protest fee was not paid within the time limit specified in the invitation.
- No protest accompanied the payment of additional search fees.

FURTHER INFORMATION CONTINUED FROM PCT/ISA/ 210

This International Searching Authority found multiple (groups of) inventions in this international application, as follows:

1. claims: 1-4

Subject 1 relates to a wall mountable network outlet box comprising a rear and a front compartment, and a cable spool housed in the rear compartment, wherein the cable spool is mounted to the wall surface and covered by the rear compartment.

2. claim: 5

Subject 2 also relates to a wall mountable network outlet box comprising a rear and a front compartment, a cable spool housed in the rear compartment, and the sidewall integration of the rear compartment.

3. claims: 6-12

Subject 3 also relates to a network outlet box comprising a rear and a front compartment with a common intermediate base plate, a cable spool housed in the rear compartment, to the mounting of the rear compartment side walls, and to an interlocking arrangement between the rear compartment side walls and the cable spool.

4. claims: 13-21

Subject 4 also relates to a network outlet box with a front compartment, to fibre optic adapters located in the front compartment, to a cover mounted on the front compartment, to a shroud at the cover, and to a spool mounted to the rear of the box, and to details of a shelf and a trough located in the front compartment.

INTERNATIONAL SEARCH REPORT

Information on patent family members

International application No

PCT/US2007/085209

Patent document cited in search report	Publication date	Patent family member(s)	Publication date
US 5638481	A	10-06-1997	NONE
US 5659650	A	19-08-1997	NONE
US 4976510	A	11-12-1990	NONE
US 2005213920	A1	29-09-2005	CN 1677144 A 05-10-2005
			JP 3815479 B2 30-08-2006
			JP 2005234383 A 02-09-2005
			KR 20060042953 A 15-05-2006
			TW 262332 B 21-09-2006
US 6315598	B1	13-11-2001	NONE
EP 1589361	A	26-10-2005	NONE