

(57) **Abrégé(suite)/Abstract(continued):**

at a junction in the earth. The system also includes a plurality of lateral well bores coupled to the junction and operable to conduct fluids from a subterranean zone to the junction. Gas may be produced from the subterranean zone to the surface through the first well bore.

ABSTRACT

A system for surface production of gas from a subterranean zone, includes a first well bore extending from the surface into the earth and a
5 second well bore extending from the surface into the earth. The first and second well bores are coupled to each other at a junction in the earth. The system also includes a plurality of lateral well bores coupled to the junction and operable to
10 conduct fluids from a subterranean zone to the junction. Gas may be produced from the subterranean zone to the surface through the first well bore.

**METHOD AND SYSTEM FOR ACCESSING SUBTERRANEAN
DEPOSITS FROM THE SURFACE**

This application is a division of co-pending Canadian Patent Application No. 2,483,023.

5 TECHNICAL FIELD OF THE INVENTION

The present invention relates generally to the recovery of subterranean deposits, and more particularly to a method and system for accessing subterranean deposits from the surface.

10 BACKGROUND OF THE INVENTION

Subterranean deposits of coal contain substantial quantities of entrained methane gas limited in production in use of methane gas from coal deposits has occurred for many years. Substantial obstacles, however, have frustrated more extensive development and use of methane gas deposits in coal seams. The foremost problem in producing methane gas from coal seams is that while coal seams may extend over large areas of up to several thousand acres, the coal seams are fairly shallow in depth, varying from a few inches to several meters. Thus, while the coal-seams are often relatively near the surface, vertical wells drilled into the coal deposits for obtaining methane gas can only drain a fairly small radius around the

coal deposits. Further, coal deposits are not amendable to pressure fracturing and other methods often used for increasing methane gas production from rock formations. As a result, once the gas
5 easily drained from a vertical well bore in a coal seam is produced, further production is limited in volume. Additionally, coal seams are often associated with subterranean water, which must be drained from the coal seam in order to produce the
10 methane.

Horizontal drilling patterns have been tried in order to extend the amount of coal seams exposed to a drill bore for gas extraction. Such horizontal drilling techniques, however, require the use of a
15 radiused well bore which presents difficulties in removing the entrained water from the coal seam. The most efficient method for pumping water from a subterranean well, a sucker rod pump, does not work well in horizontal or radiused bores.

20 A further problem for surface production of gas from coal seams is the difficulty presented by underbalanced drilling conditions caused by the porousness of the coal seam. During both vertical and horizontal surface drilling operations, drilling
25 fluid is used to remove cuttings from the well bore to the surface. The drilling fluid exerts a hydrostatic pressure on the formation which, if it exceeds the hydrostatic pressure of the formation, can result in a loss of drilling fluid into the

formation. This results in entrainment of drilling finds in the formation, which tends to plug the pores, cracks, and fractures that are needed to produce the gas.

5 As a result of these difficulties in surface production of methane gas from coal deposits, the methane gas which must be removed from a coal seam prior to mining, has been removed from coal seams through the use of subterranean methods. While the
10 use of subterranean methods allows water to be easily removed from a coal seam and eliminates under balanced drilling conditions, they can only access a limited amount of the coal seams exposed by current mining operations. Where longwall mining is
15 practiced, for example, underground drilling rigs are used to drill horizontal holes from a panel currently being mined into an adjacent panel that will later be mined. The limitations of underground rigs limits the reach of such horizontal holes and
20 thus the area that can be effectively drained. In addition, the degasification of a next panel during mining of a current panel limits the time for degasification. As a result, many horizontal bores must be drilled to remove the gas in a limited
25 period of time. Furthermore, in conditions of high gas content or migration of gas through a coal seam, mining may need to be halted or delayed until a next panel can be adequately degasified. These production delays add to the expense associated with
30 degasifying a coal seam.

SUMMARY OF THE INVENTION

In accordance with one aspect of the present invention there is provided a system for surface production of gas from a subterranean zone, comprising: a first well bore extending from the surface into the earth; a second well bore extending from the surface into the earth; the first and second well bores coupled to each other at a junction in the earth; a plurality of lateral well bores coupled to the junction and operable to conduct fluids from a subterranean zone to the junction; and wherein gas may be produced from the subterranean zone to the surface through the first well bore.

In accordance with another aspect of the present invention there is provided a system for accessing a subterranean zone from the surface, comprising: a first well bore extending from the surface to the subterranean zone; a second well bore extending from the surface to the subterranean zone, the second well bore intersecting the first well bore at a junction proximate the subterranean zone; and a well bore pattern including a plurality of lateral well bores extending from a main well bore of the pattern, the well bore pattern and connected to the junction and operable to drain fluid from a region of the subterranean zone to the junction.

In accordance with yet another aspect of the present invention there is provided a method for accessing a subterranean zone from the surface, comprising: forming a first well bore extending
5 from the surface to the subterranean zone; forming a second well bore extending from the surface to the subterranean zone, the second well bore intersecting the first well bore at a junction proximate the subterranean zone; and forming a well bore pattern
10 including a plurality of lateral well bores, the well bore pattern providing drainage of fluids from the subterranean zone to the junction for production to the surface.

Other technical advantages of the present invention will be readily apparent to one skilled in the art from the following figures, description, and claims.

5 BRIEF DESCRIPTION OF THE DRAWINGS

For a more complete understanding of the present invention and its advantages, reference is now made to the following description taken in conjunction with the accompanying drawings, wherein like numerals represent like parts, in which:

10 FIGURE 1 is a cross-sectional diagram illustrating formation of a horizontal drainage pattern in a subterranean zone through an articulated surface well intersecting a vertical cavity well in accordance with one embodiment of the present invention;

15 FIGURE 2 is a cross-sectional diagram illustrating formation of the horizontal drainage pattern in the subterranean zone through the articulated surface well intersecting the vertical cavity well in accordance with another embodiment of the present invention;

20 FIGURE 3 is a cross-sectional diagram illustrating production of fluids from a horizontal draining pattern in a subterranean zone through a vertical well bore in accordance with one embodiment of the present invention;

25 FIGURE 4 is a top plan diagram illustrating a pinnate drainage pattern for accessing deposits in a subterranean zone in accordance with one embodiment of the present invention;

30 FIGURE 5 is a top plan diagram illustrating a pinnate drainage pattern for accessing deposits in a subterranean zone in accordance with another embodiment of the present invention;

FIGURE 6 is a top plan diagram illustrating a quadrilateral pinnate drainage pattern for accessing deposits in a subterranean zone in accordance with still another embodiment of the present invention;

5 FIGURE 7 is a top plan diagram illustrating the alignment of pinnate drainage patterns within panels of a coal seam for degasifying and preparing the coal seam for mining operations in accordance with one embodiment of the present invention;

10 FIGURE 8 is a flow diagram illustrating a method for preparing a coal seam for mining operations in accordance with one embodiment of the present invention;

15 FIGURES 9A-C are cross-sectional diagrams illustrating a cavity well positioning tool in accordance with one embodiment of the present invention.

DETAILED DESCRIPTION OF THE INVENTION

20 FIGURE 1 illustrates a cavity and articulated well combination for accessing a subterranean zone from the surface in accordance with one embodiment of the present invention. In this embodiment, the subterranean zone is a coal seam. It will be understood that other low pressure, ultra-low pressure, and low porosity subterranean zones can be similarly accessed using the dual well system of the present invention to remove and/or produce water, hydrocarbons and other fluids in the zone and to treat minerals in the zone prior to mining operations.

25 Referring to FIGURE 1, a substantially vertical well bore 12 extends from the surface 14 to a target coal seam 15. The substantially vertical well bore 12 intersects, penetrates and continues below the coal seam 15. The substantially vertical well bore is lined with a suitable

30

well casing 16 that terminates at or above the level of the coal seam 15.

The substantially vertical well bore 12 is logged either during or after drilling in order to locate the exact vertical depth of the coal seam 15. As a result, the coal seam is not missed in subsequent drilling operations and techniques used to locate the seam 15 while drilling need not be employed. An enlarged diameter cavity 20 is formed in the substantially vertical well bore 12 at the level of the coal seam 15. As described in more detail below, the enlarged diameter cavity 20 provides a junction for intersection of the substantially vertical well bore by articulated well bore used to form a substantially horizontal drainage pattern in the coal seam 15. The enlarged diameter cavity 20 also provides a collection point for fluids drained from the coal seam 15 during production operations.

In one embodiment, the enlarged diameter cavity 20 has a radius of approximately eight feet and a vertical dimension which equals or exceeds the vertical dimension of the coal seam 15. The enlarged diameter cavity 20 is formed using suitable under-reaming techniques and equipment. A vertical portion of the substantially vertical well bore 12 continues below the enlarged diameter cavity 20 to form a sump 22 for the cavity 20.

An articulated well bore 30 extends from the surface 14 to the enlarged diameter cavity 20 of the substantially vertical well bore 12. The articulated well bore 30 includes a substantially vertical portion 32, a substantially horizontal portion 34, and a curved or radiused portion 36 interconnecting the vertical and horizontal portions 32 and 34. The horizontal portion 34 lies substantially in the horizontal plane of the coal seam

15 and intersects the large diameter cavity 20 of the substantially vertical well bore 12.

5 The articulated well bore 30 is offset a sufficient distance from the substantially vertical well bore 12 at the surface 14 to permit the large radius curved section 36 and any desired horizontal section 34 to be drilled before intersecting the enlarged diameter cavity 20. To provide the curved portion 36 with a radius of 100-150 feet, the articulated well bore 30 is offset a distance of about 300
10 feet from the substantially vertical well bore 12. This spacing minimizes the angle of the curved portion 36 to reduce friction in the bore 30 during drilling operations. As a result, reach of the articulated drill string drilled through the articulated well bore 30 is maximized.

15 The articulated well bore 30 is drilled using articulated drill string 40 that includes a suitable down-hole motor and bit 42. A measurement while drilling (MWD) device 44 is included in the articulated drill string 40 for controlling the orientation and direction of the well
20 bore drilled by the motor and bit 42. The substantially vertical portion 32 of the articulated well bore 30 is lined with a suitable casing 38.

25 After the enlarged diameter cavity 20 has been successfully intersected by the articulated well bore 30, drilling is continued through the cavity 20 using the articulated drill string 40 and appropriate horizontal drilling apparatus to provide a substantially horizontal drainage pattern 50 in the coal seam 15. The substantially horizontal drainage pattern 50 and other such well bores
30 include sloped, undulating, or other inclinations of the coal seam 15 or other subterranean zone. During this operation, gamma ray logging tools and conventional measurement while drilling devices may be employed to

control and direct the orientation of the drill bit to retain the drainage pattern 50 within the confines of the coal seam 15 and to provide substantially uniform coverage of a desired area within the coal seam 15. Further information regarding the drainage pattern is described in more detail below in connection with FIGURES 4-7.

During the process of drilling the drainage pattern 50, drilling fluid or "mud" is pumped down the articulated drill string 40 and circulated out of the drill string 40 in the vicinity of the bit 42, where it is used to scour the formation and to remove formation cuttings. The cuttings are then entrained in the drilling fluid which circulates up through the annulus between the drill string 40 and the well bore walls until it reaches the surface 14, where the cuttings are removed from the drilling fluid and the fluid is then recirculated. This conventional drilling operation produces a standard column of drilling fluid having a vertical height equal to the depth of the well bore 30 and produces a hydrostatic pressure on the well bore corresponding to the well bore depth. Because coal seams tend to be porous and fractured, they may be unable to sustain such hydrostatic pressure, even if formation water is also present in the coal seam 15. Accordingly, if the full hydrostatic pressure is allowed to act on the coal seam 15, the result may be loss of drilling fluid and entrained cuttings into the formation. Such a circumstance is referred to as an "over balanced" drilling operation in which the hydrostatic fluid pressure in the well bore exceeds the ability of the formation to withstand the pressure. Loss of drilling fluids in cuttings into the formation not only is expensive in terms of the lost drilling fluids, which must be made up, but it tends to

plug the pores in the coal seam 15, which are needed to drain the coal seam of gas and water.

To prevent over balance drilling conditions during formation of the drainage pattern 50, air compressors 60 are provided to circulate compressed air down the substantially vertical well bore 12 and back up through the articulated well bore 30. The circulated air will admix with the drilling fluids in the annulus around the articulated drill string 40 and create bubbles throughout the column of drilling fluid. This has the effective of lightening the hydrostatic pressure of the drilling fluid and reducing the down-hole pressure sufficiently that drilling conditions do not become over balanced. Aeration of the drilling fluid reduces down-hole pressure to approximately 150-200 pounds per square inch (psi). Accordingly, low pressure coal seams and other subterranean zones can be drilling without substantial loss of drilling fluid and contamination of the zone by the drilling fluid.

Foam, which may be compressed air mixed with water, may also be circulated down through the articulated drill string 40 along with the drilling mud in order to aerate the drilling fluid in the annulus as the articulated well bore 30 is being drilled and, if desired, as the drainage pattern 50 is being drilled. Drilling of the drainage pattern 50 with the use of an air hammer bit or an air-powered down-hole motor will also supply compressed air or foam to the drilling fluid. In this case, the compressed air or foam which is used to power the bit or down-hole motor exits the vicinity of the drill bit 42. However, the larger volume of air which can be circulated down the substantially vertical well bore 12, permits greater aeration of the drilling fluid than generally is possible by air supplied through the articulated drill string 40.

FIGURE 2 illustrates method and system for drilling the drainage pattern 50 in the coal seam 15 in accordance with another embodiment of the present invention. In this embodiment, the substantially vertical well bore 12, enlarged diameter cavity 20 and articulated well bore 32 are positioned and formed as previously described in connection with the FIGURE 1.

Referring to FIGURE 2, after intersection of the enlarged diameter cavity 20 by the articulated well bore 30 a pump 52 is installed in the enlarged diameter cavity 20 to pump drilling fluid and cuttings to the surface 14 through the substantially vertical well bore 12. This eliminates the friction of air and fluid returning up the articulated well bore 30 and reduces down-hole pressure to nearly zero. Accordingly, coal seams and other subterranean zones having ultra low pressures below 150 psi can be accessed from the surface. Additionally, the risk of combining air and methane in the well is eliminated.

FIGURE 3 illustrates production of fluids from the horizontal drainage pattern 50 in the coal seam 15 in accordance with one embodiment of the present invention. In this embodiment, after the substantially vertical and articulated well bores 12 and 30 as well as desired drainage pattern 50 have been drilled, the articulated drill string 40 is removed from the articulated well bore 30 and the articulated well bore is capped. For multiple pinnate structure described below, the articulated well 30 may be plugged in the substantially horizontal portion 34. Otherwise, the articulated well 30 may be left unplugged.

Referring to FIGURE 3, a down hole pump 80 is disposed in the substantially vertical well bore 12 in the enlarged diameter cavity 20. The enlarged cavity 20 provides a reservoir for accumulated fluids allowing intermittent

pumping without adverse effects of a hydrostatic head caused by accumulated fluids in the well bore.

The down hole pump 80 is connected to the surface 14 via a tubing string 82 and may be powered by sucker rods 84 extending down through the well bore 12 of the tubing. The sucker rods 84 are reciprocated by a suitable surface mounted apparatus, such as a powered walking beam 86 to operate the down hole pump 80. The down hole pump 80 is used to remove water and entrained coal fines from the coal seam 15 via the drainage pattern 50. Once the water is removed to the surface, it may be treated for separation of methane which may be dissolved in the water and for removal of entrained fines. After sufficient water has been removed from the coal seam 15, pure coal seam gas may be allowed to flow to the surface 14 through the annulus of the substantially vertical well bore 12 around the tubing string 82 and removed via piping attached to a wellhead apparatus. At the surface, the methane is treated, compressed and pumped through a pipeline for use as a fuel in a conventional manner. The down hole pump 80 may be operated continuously or as needed to remove water drained from the coal seam 15 into the enlarged diameter cavity 20.

FIGURES 4-7 illustrate substantially horizontal drainage patterns 50 for accessing the coal seam 15 or other subterranean zone in accordance with one embodiment of the present invention. In this embodiment, the drainage patterns comprise pinnate patterns that have a central diagonal with generally symmetrically arranged and appropriately spaced laterals extending from each side of the diagonal. The pinnate pattern approximates the pattern of veins in a leaf or the design of a feather in that it has similar, substantially parallel, auxiliary drainage bores arranged in substantially equal and parallel spacing

or opposite sides of an axis. The pinnate drainage pattern with its central bore and generally symmetrically arranged and appropriately spaced auxiliary drainage bores on each side provides a uniform pattern for draining fluids from a coal seam or other subterranean formation. As described in more detail below, the pinnate pattern provides substantially uniform coverage of a square, other quadrilateral, or grid area and may be aligned with longwall mining panels for preparing the coal seam 15 for mining operations. It will be understood that other suitable drainage patterns may be used in accordance with the present invention.

The pinnate and other suitable drainage patterns drilled from the surface provide surface access to subterranean formations. The drainage pattern may be used to uniformly remove and/or insert fluids or otherwise manipulate a subterranean deposit. In non coal applications, the drainage pattern may be used initiating in-situ burns, "huff-puff" steam operations for heavy crude oil, and the removal of hydrocarbons from low porosity reservoirs.

FIGURE 4 illustrates a pinnate drainage pattern 100 in accordance with one embodiment of the present invention. In this embodiment, the pinnate drainage pattern 100 provides access to a substantially square area 102 of a subterranean zone. A number of the pinnate patterns 100 may be used together to provide uniform access to a large subterranean region.

Referring to FIGURE 4, the enlarged diameter cavity 20 defines a first corner of the area 102. The pinnate pattern 100 includes a substantially horizontal main well bore 104 extending diagonally across the area 102 to a distant corner 106 of the area 102. Preferably, the

substantially vertical and articulated well bores 12 and 30 are positioned over the area 102 such that the diagonal bore 104 is drilled up the slope of the coal seam 15. This will facilitate collection of water, gas from the area 102.

5 The diagonal bore 104 is drilled using the articulated drill string 40 and extends from the enlarged cavity 20 in alignment with the articulated well bore 30.

10 A plurality of lateral well bores 110 extend from the opposites sides of diagonal bore 104 to a periphery 112 of the area 102. The lateral bores 110 may mirror each other on opposite sides of the diagonal bore 104 or may be offset from each other along the diagonal bore 104. Each of the lateral bores 110 includes a radius curving portion 114 coming off of the diagonal bore 104 and an elongated portion 116 formed after the curved portion 114 has reached a desired orientation. For uniform coverage of the square area 102, pairs of lateral bores 110 are substantially evenly spaced on each side of the diagonal bore 104 and extend from the diagonal 104 at an angle of approximately 45 degrees. The lateral bores 110 shorten in length based on progression away from the enlarged diameter cavity 20 in order to facilitate drilling of the lateral bores 110.

15 The pinnate drainage pattern 100 using a single diagonal bore 104 and five pairs of lateral bores 110 may drain a coal seam area of approximately 150 acres in size. Where a smaller area is to be drained, or where the coal seam has a different shape, such as a long, narrow shape or due to surface or subterranean topography, alternate pinnate drainage patterns may be employed by varying the angle of the lateral bores 110 to the diagonal bore 104 and the orientation of the lateral bores 110. Alternatively, lateral bores 110 can be drilled from only one side of the diagonal bore 104 to form a one-half pinnate pattern.

The diagonal bore 104 and the lateral bores 110 are formed by drilling through the enlarged diameter cavity 20 using the articulated drill string 40 and appropriate horizontal drilling apparatus. During this operation,
5 gamma ray logging tools and conventional measurement while drilling technologies may be employed to control the direction and orientation of the drill bit so as to retain the drainage pattern within the confines of the coal seam 15 and to maintain proper spacing and orientation of the
10 diagonal and lateral bores 104 and 110.

In a particular embodiment, the diagonal bore 104 is drilled with an incline at each of a plurality of lateral kick-off points 108. After the diagonal 104 is complete, the articulated drill string 40 is backed up to each
15 successive lateral point 108 from which a lateral bore 110 is drilled on each side of the diagonal 104. It will be understood that the pinnate drainage pattern 100 may be otherwise suitably formed in accordance with the present invention.

FIGURE 5 illustrates a pinnate drainage pattern 120 in accordance with another embodiment of the present invention. In this embodiment, the pinnate drainage pattern 120 drains a substantially rectangular area 122 of the coal seam 15. The pinnate drainage pattern 120
25 includes a main diagonal bore 124 and a plurality of lateral bores 126 that are formed as described in connection with diagonal and lateral bores 104 and 110 of FIGURE 4. For the substantially rectangular area 122, however, the lateral bores 126 on a first side of the
30 diagonal 124 include a shallow angle while the lateral bores 126 on the opposite side of the diagonal 124 include a steeper angle to together provide uniform coverage of the area 12.

FIGURE 6 illustrates a quadrilateral pinnate drainage pattern 140 in accordance with another embodiment of the present invention. The quadrilateral drainage pattern 140 includes four discrete pinnate drainage patterns 100 each draining a quadrant of a region 142 covered by the pinnate drainage pattern 100.

Each of the pinnate drainage patterns 100 includes a diagonal well bore 104 and a plurality of lateral well bores 110 extending from the diagonal well bore 104. In the quadrilateral embodiment, each of the diagonal and lateral bores 104 and 110 are drilled from a common articulated well bore 146. This allows tighter spacing of the surface production equipment, wider coverage of a drainage pattern and reduces drilling equipment and operations.

FIGURE 7 illustrates the alignment of pinnate drainage patterns 100 with subterranean structures of a coal seam for degasifying and preparing the coal seam for mining operations in accordance with one embodiment of the present invention. In this embodiment, the coal seam 15 is mined using a longwall process. It will be understood that the present invention can be used to degassify coal seams for other types of mining operations.

Referring to FIGURE 7, coal panels 150 extend longitudinally from a longwall 152. In accordance with longwall mining practices, each panel 150 is subsequently mined from a distant end toward the longwall 152 and the mine roof allowed to cave and fracture into the opening behind the mining process. Prior to mining of the panels 150, the pinnate drainage patterns 100 are drilled into the panels 150 from the surface to degasify the panels 150 well ahead of mining operations. Each of the pinnate drainage patterns 100 is aligned with the longwall 152 and panel 150

grid and covers portions of one or more panels 150. In this way, a region of a mine can be degasified from the surface based on subterranean structures and constraints.

FIGURE 8 is a flow diagram illustrating a method for preparing the coal seam 15 for mining operations in accordance with one embodiment of the present invention. In this embodiment, the method begins at step 160 in which areas to be drained and drainage patterns 100 for the areas are identified. Preferably, the areas are aligned with the grid of a mining plan for the region. Pinnate structures 100, 120 and 140 may be used to provide optimized coverage for the region. It will be understood that other suitable patterns may be used to degasify the coal seam 15.

Proceeding to step 162, the substantially vertical well 12 is drilled from the surface 14 through the coal seam 15. Next, at step 164, down hole logging equipment is utilized to exactly identify the location of the coal seam in the well bore 12. At step 166, the enlarged diameter cavity 20 is formed in the substantially vertical well bore 12 at the location of the coal seam 15. As previously discussed, the enlarged diameter cavity 20 may be formed by under reaming and other conventional techniques.

Next, at step 168, the articulated well bore 30 is drilled to intersect the enlarged diameter cavity 20. At step 170, the main diagonal bore 104 for the pinnate drainage pattern 100 is drilled through the articulated well bore 30 into the coal seam 15. After formation of the main diagonal 104, lateral bores 110 for the pinnate drainage pattern 100 are drilled at step 172. As previously described, lateral kick-off points may be formed in the diagonal bore 104 during its formation to facilitate drilling of the lateral bores 110.

At step 174, the articulated well bore 30 is capped. Next, at step 176, the enlarged diagonal cavity 20 is cleaned in preparation for installation of downhole production equipment. The enlarged diameter cavity 20 may be cleaned by pumping compressed air down the substantially vertical well bore 12 or other suitable techniques. At step 178, production equipment is installed in the substantially vertical well bore 12. The production equipment includes a sucker rod pump extending down into the cavity 20 for removing water from the coal seam 15. The removal of water will drop the pressure of the coal seam and allow methane gas to diffuse and be produced up the annulus of the substantially vertical well bore 12.

Proceeding to step 180, water that drains from the drainage pattern 100 into the cavity 20 is pumped to the surface with the rod pumping unit. Water may be continuously or intermittently be pumped as needed to remove it from the cavity 20. At step 182, methane gas diffused from the coal seam 15 is continuously collected at the surface 14. Next, at decisional step 184 it is determined whether the production of gas from the coal seam 15 is complete. In one embodiment, the production of gas may be complete after the cost of the collecting the gas exceeds the revenue generated by the well. In another embodiment, gas may continue to be produced from the well until a remaining level of gas in the coal seam 15 is below required levels for mining operations. If production of the gas is not complete, the No branch of decisional step 184 returns to steps 180 and 182 in which water and gas continue to be removed from the coal seam 15. Upon completion of production, the Yes branch of decisional step 184 leads to step 186 in which the production equipment is removed.

Next, at decisional step 188, it is determined whether the coal seam 15 is to be further prepared for mining operations. If the coal seam 15 is to be further prepared for mining operations, the Yes branch of decisional step 188 leads to step 190 in which water and other additives may be injected back into the coal seam 15 to rehydrate the coal seam in order to minimize dust, to improve the efficiency of mining, and to improve the mined product.

Step 190 and the No branch of decisional step 188 lead to step 192 in which the coal seam 15 is mined. The removal of the coal from the seam causes the mined roof to cave and fracture into the opening behind the mining process. The collapsed roof creates gob gas which may be collected at step 194 through the substantially vertical well bore 12. Accordingly, additional drilling operations are not required to recover gob gas from a mined coal seam. Step 194 leads to the end of the process by which a coal seam is efficiently degasified from the surface. The method provides a symbiotic relationship with the mine to remove unwanted gas prior to mining and to rehydrate the coal prior to the mining process.

FIGURES 9A through 9C are diagrams illustrating deployment of a well cavity pump 200 in accordance with an embodiment of the present invention. Referring to FIGURE 9A, well cavity pump 200 comprises a well bore portion 202 and a cavity positioning device 204. Well bore portion 202 comprises an inlet 206 for drawing and transferring well fluid contained within cavity 20 to a surface of vertical well bore 12.

In this embodiment, cavity positioning device 204 is rotatably coupled to well bore portion 202 to provide rotational movement of cavity positioning device 204 relative to well bore portion 202. For example, a pin,

shaft, or other suitable method or device (not explicitly shown) may be used to rotatably couple cavity position device 204 to well bore portion 202 to provide pivotal movement of cavity positioning device 204 about an axis 208 relative to well bore portion 202. Thus, cavity positioning device 204 may be coupled to well bore portion 202 between an end 210 and an end 212 of cavity positioning device 204 such that both ends 210 and 212 may be rotatably manipulated relative to well bore portion 202.

Cavity positioning device 204 also comprises a counter balance portion 214 to control a position of ends 210 and 212 relative to well bore portion 202 in a generally unsupported condition. For example, cavity positioning device 204 is generally cantilevered about axis 208 relative to well bore portion 202. Counter balance portion 214 is disposed along cavity positioning device 204 between axis 208 and end 210 such that a weight or mass of counter balance portion 214 counter balances cavity positioning device 204 during deployment and withdrawal of well cavity pump 200 relative to vertical well bore 12 and cavity 20.

In operation, cavity positioning device 204 is deployed into vertical well bore 12 having end 210 and counter balance portion 214 positioned in a generally retracted condition, thereby disposing end 210 and counter balance portion 214 adjacent well bore portion 202. As well cavity pump 200 travels downwardly within vertical well bore 12 in the direction indicated generally by arrow 216, a length of cavity positioning device 204 generally prevents rotational movement of cavity positioning device 204 relative to well bore portion 202. For example, the mass of counter balance portion 214 may cause counter balance portion 214 and end 212 to be generally supported by contact with a vertical wall 218 of vertical well bore

12 as well cavity pump 200 travels downwardly within vertical well bore 12.

Referring to FIGURE 9B, as well cavity pump 200 travels downwardly within vertical well bore 12, counter balance portion 214 causes rotational or pivotal movement of cavity positioning device 204 relative to well bore portion 202 as cavity positioning device 204 transitions from vertical well bore 12 to cavity 20. For example, as cavity positioning device 204 transitions from vertical well bore 12 to cavity 20, counter balance portion 214 and end 212 become generally unsupported by vertical wall 218 of vertical well bore 12. As counter balance portion 214 and end 212 become generally unsupported, counter balance portion 214 automatically causes rotational movement of cavity positioning device 204 relative to well bore portion 202. For example, counter balance portion 214 generally causes end 210 to rotate or extend outwardly relative to vertical well bore 12 in the direction indicated generally by arrow 220. Additionally, end 212 of cavity positioning device 204 extends or rotates outwardly relative to vertical well bore 12 in the direction indicated generally by arrow 222.

The length of cavity positioning device 204 is configured such that ends 210 and 212 of cavity positioning device 204 become generally unsupported by vertical well bore 12 as cavity positioning device 204 transitions from vertical well bore 12 into cavity 20, thereby allowing counter balance portion 214 to cause rotational movement of end 212 outwardly relative to well bore portion 202 and beyond an annulus portion 224 of sump 22. Thus, in operation, as cavity positioning device 204 transitions from vertical well bore 12 to cavity 20, counter balance portion 214 causes end 212 to rotate or extend outwardly in

the direction indicated generally by arrow 222 such that continued downward travel of well cavity pump 200 results in contact of end 212 with a horizontal wall 226 of cavity 20.

5 Referring to FIGURE 9C, as downwardly travel of well cavity pump 200 continues, the contact of end 212 with horizontal wall 226 of cavity 20 causes further rotational movement of cavity positioning device 204 relative to well bore portion 202. For example, contact between end 212 and
10 horizontal 226 combined with downward travel of well cavity pump 200 causes end 210 to extend or rotate outwardly relative to vertical well bore 12 in the direction indicated generally by arrow 228 until counter balance portion 214 contacts a horizontal wall 230 of cavity 20.
15 Once counter balance portion 214 and end 212 of cavity positioning device 204 become generally supported by horizontal walls 226 and 230 of cavity 20, continued downward travel of well cavity pump 200 is substantially prevented, thereby positioning inlet 206 at a predefined
20 location within cavity 20.

Thus, inlet 206 may be located at various positions along well bore portion 202 such that inlet 206 is disposed at the predefined location within cavity 20 as cavity positioning device 204 bottoms out within cavity 20.
25 Therefore, inlet 206 may be accurately positioned within cavity 20 to substantially prevent drawing in debris or other material disposed within sump or rat hole 22 and to prevent gas interference caused by placement of the inlet 20 in the narrow well bore. Additionally, inlet 206 may be
30 positioned within cavity 20 to maximize fluid withdrawal from cavity 20.

In reverse operation, upward travel of well cavity pump 200 generally results in releasing contact between

counter balance portion 214 and end 212 with horizontal walls 230 and 226, respectively. As cavity positioning device 204 becomes generally unsupported within cavity 20, the mass of cavity positioning device 204 disposed between end 212 and axis 208 generally causes cavity positioning device 204 to rotate in directions opposite the directions indicated generally by arrows 220 and 222 as illustrated FIGURE 9B. Additionally, counter balance portion 214 cooperates with the mass of cavity positioning device 204 disposed between end 212 and axis 208 to generally align cavity positioning device 204 with vertical well bore 12. Thus, cavity positioning device 204 automatically becomes aligned with vertical well bore 12 as well cavity pump 200 is withdrawn from cavity 20. Additional upward travel of well cavity pump 200 then may be used to remove cavity positioning device 204 from cavity 20 and vertical well bore 12.

Therefore, the present invention provides greater reliability than prior systems and methods by positively locating inlet 206 of well cavity pump 200 at a predefined location within cavity 20. Additionally, well cavity pump 200 may be efficiently removed from cavity 20 without requiring additional unlocking or alignment tools to facilitate the withdrawal of well cavity pump 200 from cavity 20 and vertical well bore 12.

Although the present invention has been described with several embodiments, various changes and modifications may be suggested to one skilled in the art. It is intended that the present invention encompass such changes and modifications as fall within the scope of the appended claims.

CLAIMS

1. A system for surface production of gas from a subterranean zone, comprising:
 - 5 a first well bore extending from a surface of the earth into the earth;
 - a second well bore extending from the surface into the earth;
 - the first and second well bores coupled to each other at a junction in the earth;
 - 10 a plurality of lateral well bores coupled to the junction and operable to conduct fluids from the subterranean zone to the junction; and
 - wherein gas may be produced from the subterranean zone to the surface through the first well bore.
 - 15
2. The system of claim 1, wherein the subterranean zone comprises a coal seam.
3. The system of claim 1, wherein the gas comprises coal bed methane gas.
- 20 4. The system of claim 1, wherein the first well bore is substantially vertical.
5. The system of claim 1, wherein the first and second well bores are coupled to each other at a cavity in the earth.

6. The system of claim 1 wherein the plurality of lateral well bores comprises three or more lateral well bores.
7. The system of claim 1, wherein the plurality of
5 lateral well bores comprises four or more lateral well bores.
8. The system of claim 1, wherein the plurality of lateral well bores comprises at least two laterals on each side of a main bore.
- 10 9. The system of claim 8, wherein the laterals on at least one side of the main bore progressively shorten in a direction away from at least one of the first and second well bores.
- 15 10. The system of claim 1, further comprising a drainage well bore pattern including the plurality of lateral well bores, wherein the drainage well bore pattern comprises a horizontal bore with a plurality of lateral bores extending therefrom.
- 20 11. The system of claim 1, wherein the second well bore is slanted or articulated from horizontal.
12. The method of claim 1, further comprising a drainage well bore pattern including the plurality of lateral well bores, wherein the drainage well bore pattern is formed by drilling through the
25 second well bore.

13. The system of claim 1, further comprising a sump formed below the junction.

14. The system of claim 1, further comprising a drainage well bore pattern including the plurality
5 of lateral well bores, wherein the drainage well bore pattern is substantially formed on one side of the junction.

15. The system of claim 1, wherein water may also be produced from the subterranean zone to the
10 surface through at least one of the first or second well bores.

16. The system of claim 15, further comprising a pumping unit operable to remove water from the subterranean zone to the surface through at least
15 one of the first or second well bores.

17. The system of claim 16, wherein the pumping unit comprises an inlet positioned to limit drawing in debris or other material disposed within a sump.

18. The system of claim 16, the pumping unit
20 comprising a rod pumping unit.

19. The system of claim 16, the pumping unit comprising an inlet positioned to limit gas interference.

20. The system of claim 1, further comprising a drainage well bore pattern including the plurality of lateral well bores, wherein the drainage well bore pattern comprises a main bore and a plurality of generally symmetrically arranged lateral bores on each side of the main bore.

21. The system of claim 1, further comprising a drainage well bore pattern including the plurality of lateral well bores, whereby gas and water may be simultaneously produced substantially uniformly from an area of the subterranean zone through the drainage well bore pattern.

22. The system of claim 21, wherein the area of the subterranean zone comprises relatively equal length to width ratios.

23. The system of claim 1, further comprising a drainage well bore pattern including the plurality of lateral well bores, wherein the drainage well bore pattern comprises a substantially horizontal pattern.

24. The system of claim 7, wherein the lateral bores are progressively shorter as they progress away from at least one of the first and second well bores.

25. A system for accessing a subterranean zone from the surface, comprising:

a first well bore extending from a surface of the earth to the subterranean zone;

5 a second well bore extending from the surface to the subterranean zone, the second well bore intersecting the first well bore at a junction proximate the subterranean zone; and

10 a well bore pattern including a plurality of lateral well bores extending from a main well bore of the pattern, the well bore pattern connected to the junction and operable to drain fluid from a region of the subterranean zone to the junction.

26. The system of claim 25, wherein the
15 subterranean zone comprises a coal seam.

27. The system of claim 25, wherein gas may be produced from the subterranean zone to the surface through the first well bore.

28. The system of claim 25, wherein the first well
20 bore is substantially vertical.

29. The system of claim 25, wherein the first and second well bores are coupled to each other at a cavity in the earth.

30. The system of claim 25, wherein the drainage
25 well bore pattern comprises two or more laterals.

31. The system of claim 25, wherein the drainage well bore pattern comprises four or more laterals.

32. The system of claim 25, wherein the drainage well bore pattern comprises at least two laterals on
5 each side of the main drainage bore.

33. The system of claim 32, wherein the laterals on at least one side of the main drainage bore progressively shorten in a direction away from at least one of the first and second well bores.

10 34. The system of claim 25, wherein the drainage well bore pattern comprises a horizontal bore with a plurality of lateral bores extending therefrom.

35. The system of claim 25, wherein the second well bore is slanted or articulated from horizontal.

15 36. The method of claim 25, wherein the drainage well bore pattern is formed by drilling through the second well bore.

37. The system of claim 25, further comprising a sump formed below the junction.

20 38. The system of claim 25, wherein the drainage well bore pattern is substantially formed on one side of the junction.

39. The system of claim 27, wherein water may also be produced from the subterranean zone to the surface through at least one of the first or second well bores.

5 40. The system of claim 39, further comprising a pumping unit operable to remove water from the subterranean zone to the surface through at least one of the first or second well bores.

10 41. The system of claim 40, wherein the pumping unit comprises an inlet positioned to limit drawing in debris or other material disposed within a sump.

42. The system of claim 40, the pumping unit comprising a rod pumping unit.

15 43. The system of claim 40, the pumping unit comprising an inlet positioned to limit gas interference.

20 44. The system of claim 25, wherein the drainage well bore pattern comprises the main bore and a plurality of generally symmetrically arranged lateral bores on each side of the main bore.

45. The system of claim 25, whereby gas and water may be simultaneously produced substantially uniformly from an area of the subterranean zone through the drainage well bore pattern.

46. The system of claim 45, wherein the area of the subterranean zone comprises relatively equal length to width ratios.

47. The system of claim 25, wherein the drainage well bore pattern comprises a substantially horizontal pattern.

48. The system of claim 30, wherein the lateral bores are progressively shorter as they progress away from at least one of the first and second well bores.

49. A method for accessing a subterranean zone from a surface of the earth, comprising:

forming a first well bore extending from the surface to the subterranean zone;

forming a second well bore extending from the surface to the subterranean zone, the second well bore intersecting the first well bore at a junction proximate the subterranean zone; and

forming a well bore pattern including a plurality of lateral well bores, the well bore pattern providing drainage of fluids from the subterranean zone to the junction for production to the surface.

50. The method of claim 49, wherein the subterranean zone comprises a coal seam.

51. The method of claim 49, further comprising producing gas from the subterranean zone to the surface through the first well bore.

52. The method of claim 49, wherein the first well
5 bore is substantially vertical.

53. The method of claim 49, wherein the first and second well bores are coupled to each other at a cavity in the earth.

54. The method of claim 49, wherein the drainage
10 well bore pattern comprises two or more laterals.

55. The method of claim 49, wherein the drainage well bore pattern comprises four or more laterals.

56. The method of claim 49, wherein the drainage well bore pattern comprises at least two laterals on
15 each side of a main drainage bore.

57. The method of claim 56, wherein the laterals on at least one side of the main drainage bore progressively shorten in a direction away from at least one of the first and second well bores.

20 58. The method of claim 49, wherein the drainage well bore pattern comprises a horizontal bore with a plurality of lateral bores extending therefrom.

59. The method of claim 49, wherein the second well bore is slanted or articulated from horizontal.

60. The method of claim 49, further comprising drilling through the second well bore to form the
5 drainage well bore pattern.

61. The method of claim 49, further comprising forming a sump below the junction.

62. The method of claim 49, wherein the drainage well bore pattern is substantially formed on one
10 side of the junction.

63. The method of claim 51, further comprising producing water from the subterranean zone to the surface through at least one of the first or second well bores.

15 64. The method of claim 63, further comprising operating a pumping unit operable to remove water from the subterranean zone to the surface through at least one of the first or second well bores.

20 65. The method of claim 64, further comprising positioning an inlet of the pumping unit to limit drawing in debris or other material disposed within a sump.

66. The method of claim 64, the pumping unit comprising a rod pumping unit.

67. The method of claim 64, further comprising positioning an inlet of the pumping unit to limit gas interference.

68. The method of claim 49, wherein the drainage well bore pattern comprises the main bore and a plurality of generally symmetrically arranged lateral bores on each side of a main bore.

69. The method of claim 49, further comprising simultaneously producing gas and water substantially uniformly from an area of the subterranean zone through the drainage well bore pattern.

70. The method of claim 69, wherein the area of the subterranean zone comprises relatively equal length to width ratios.

71. The method of claim 49, wherein the drainage well bore pattern comprises a substantially horizontal pattern.

72. The method of claim 54, wherein the lateral bores are progressively shorter as they progress away from at least one of the first and second well bores.

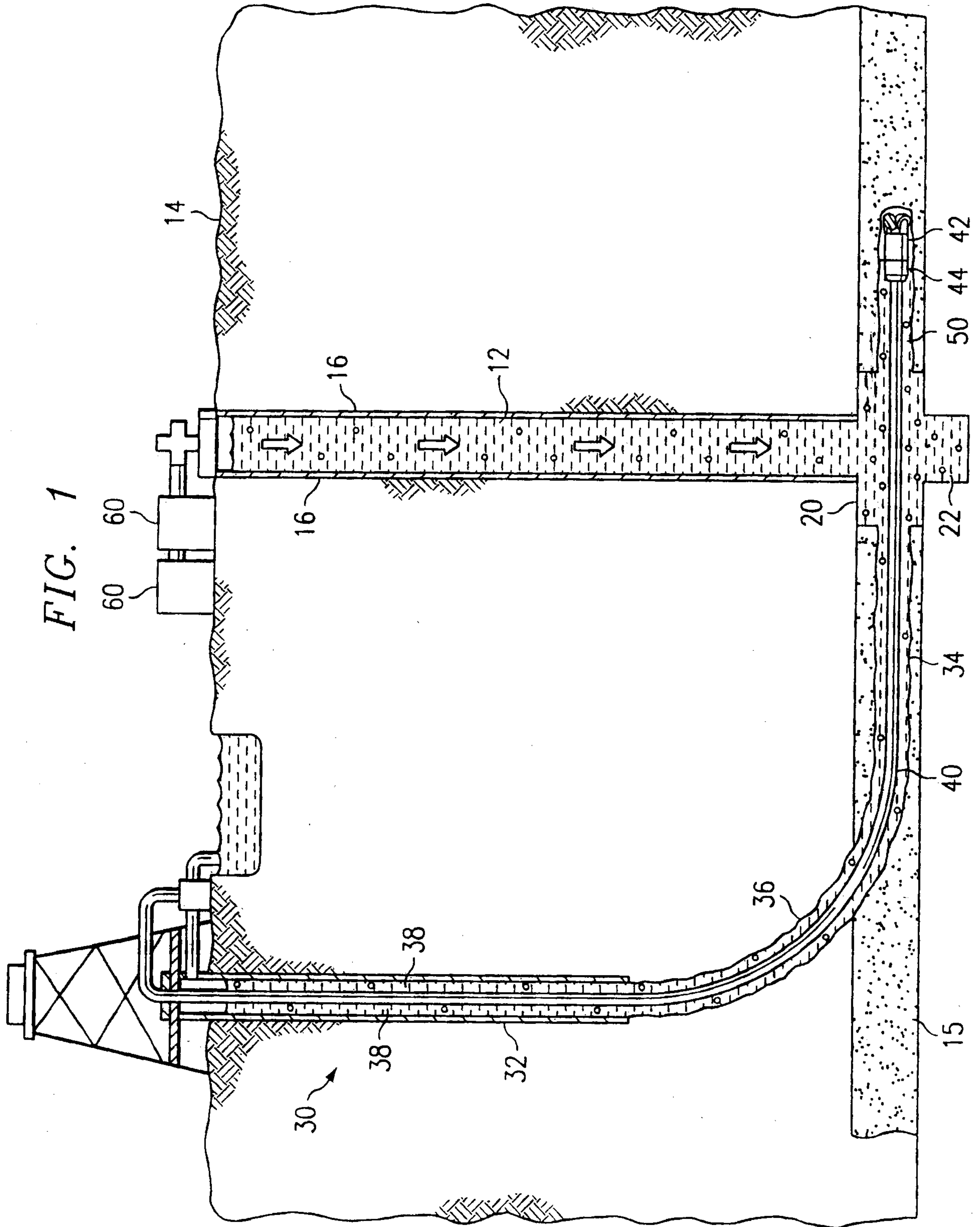


FIG. 1

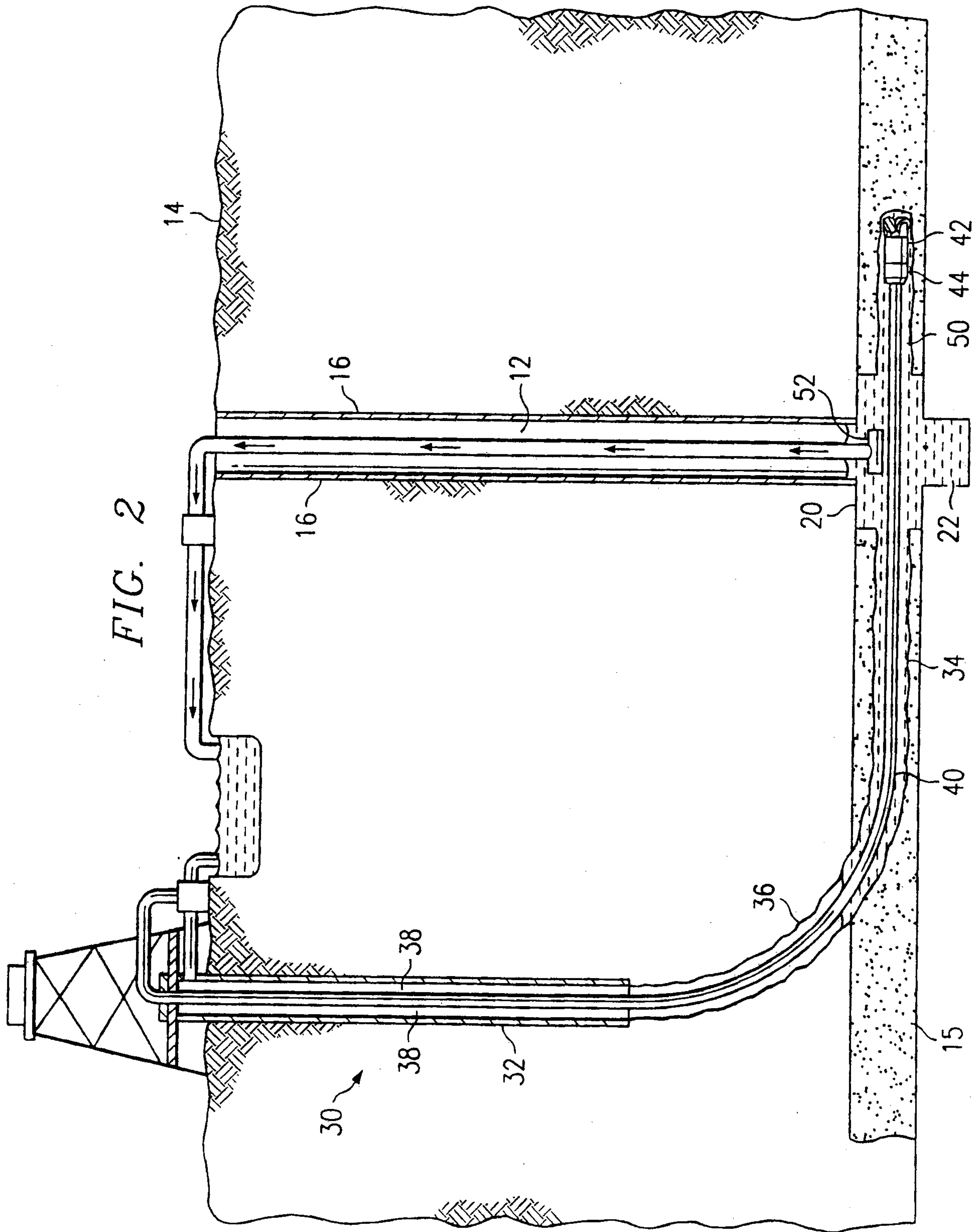


FIG. 2

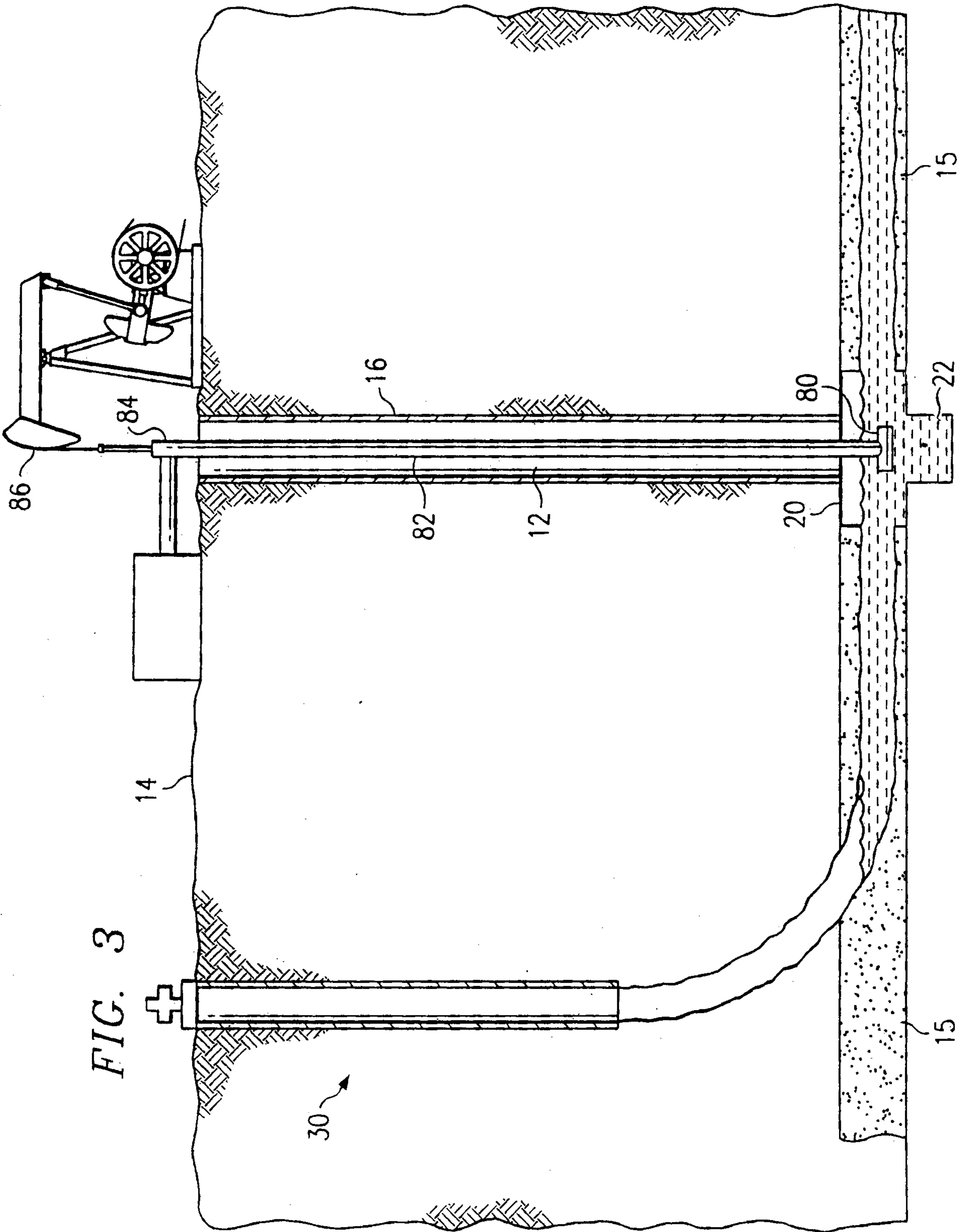


FIG. 4

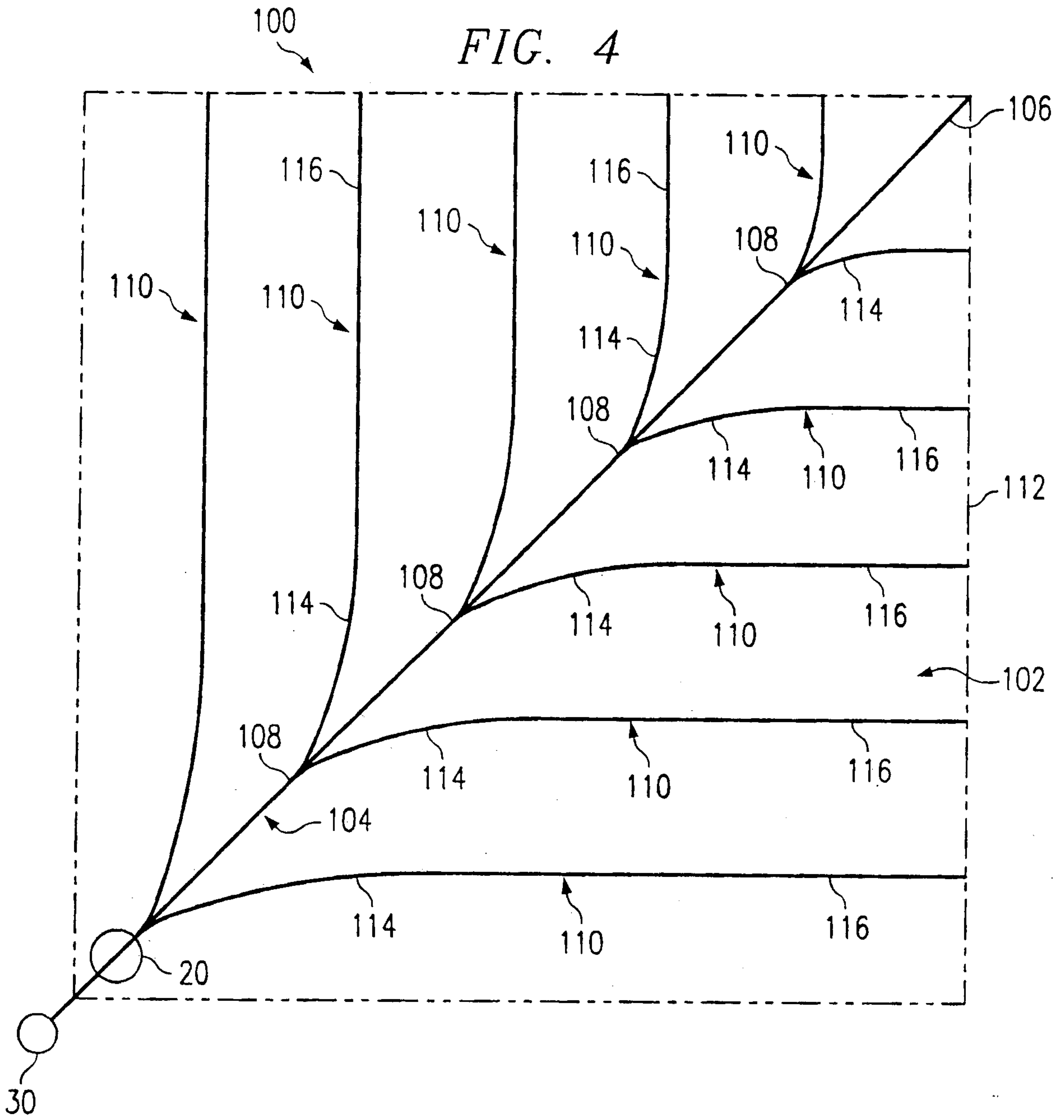
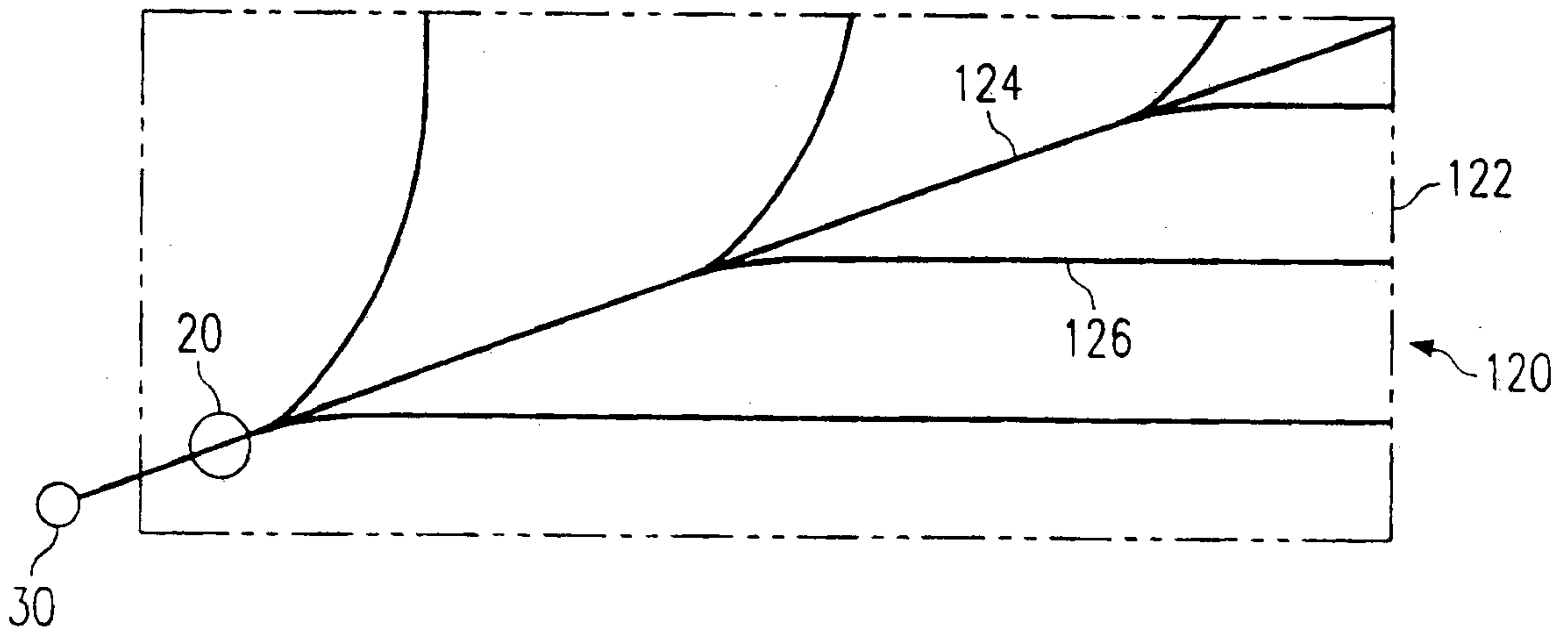


FIG. 5



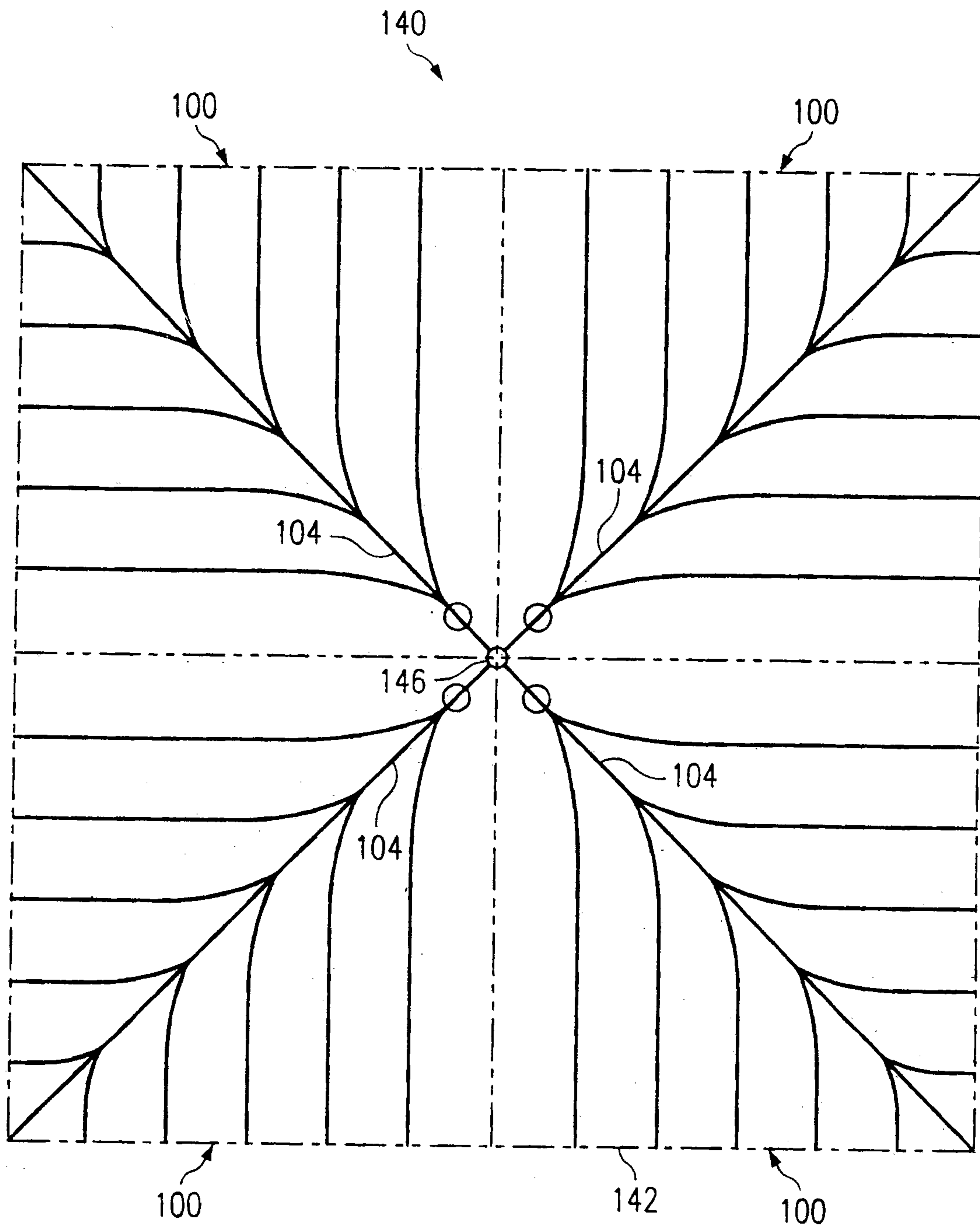
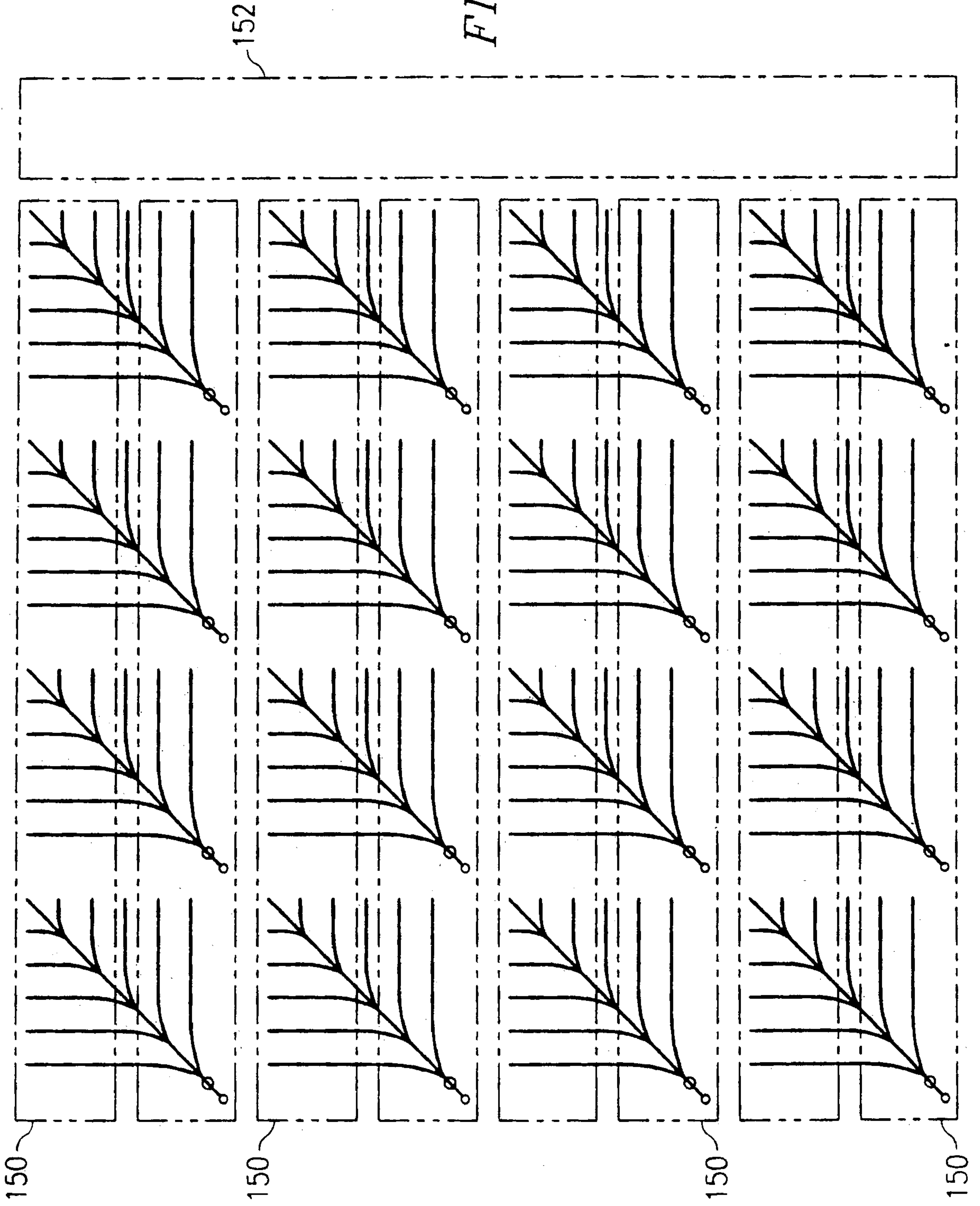


FIG. 6

FIG. 7



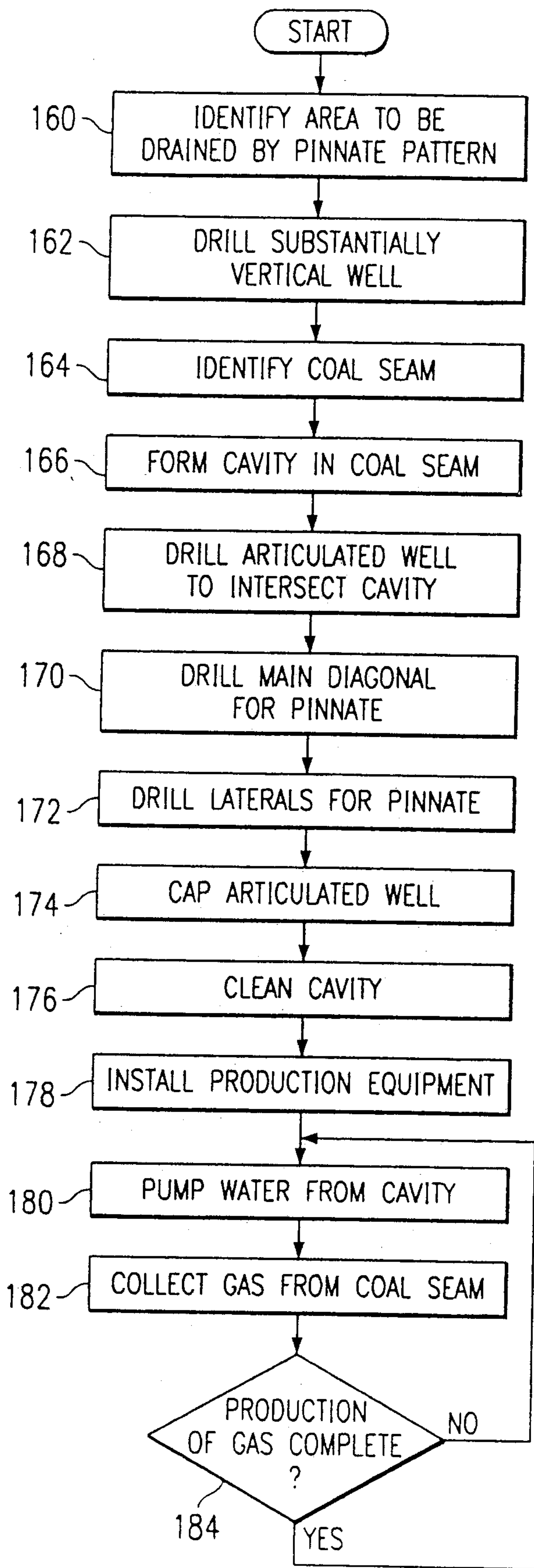
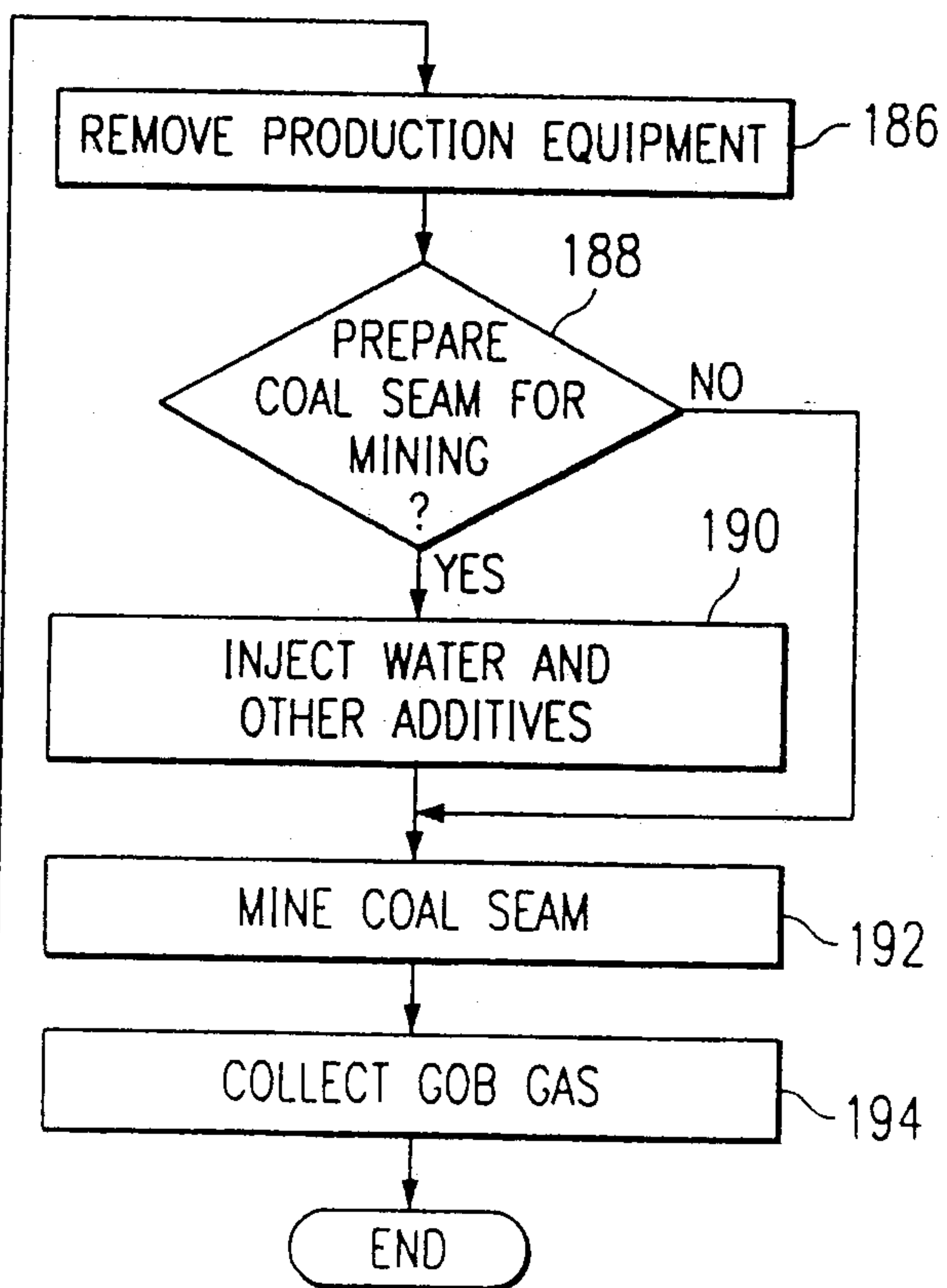


FIG. 8



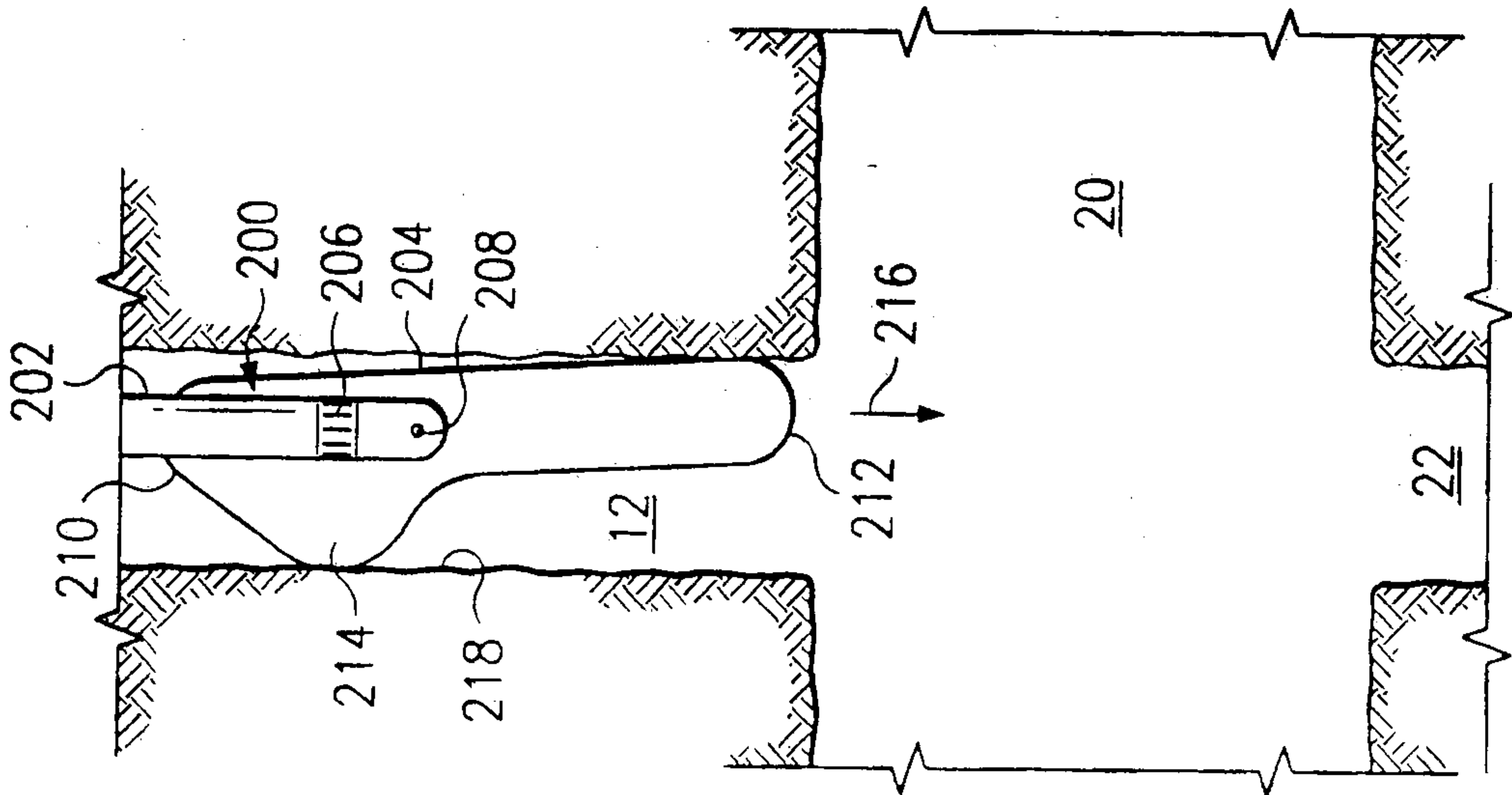


FIG. 9A

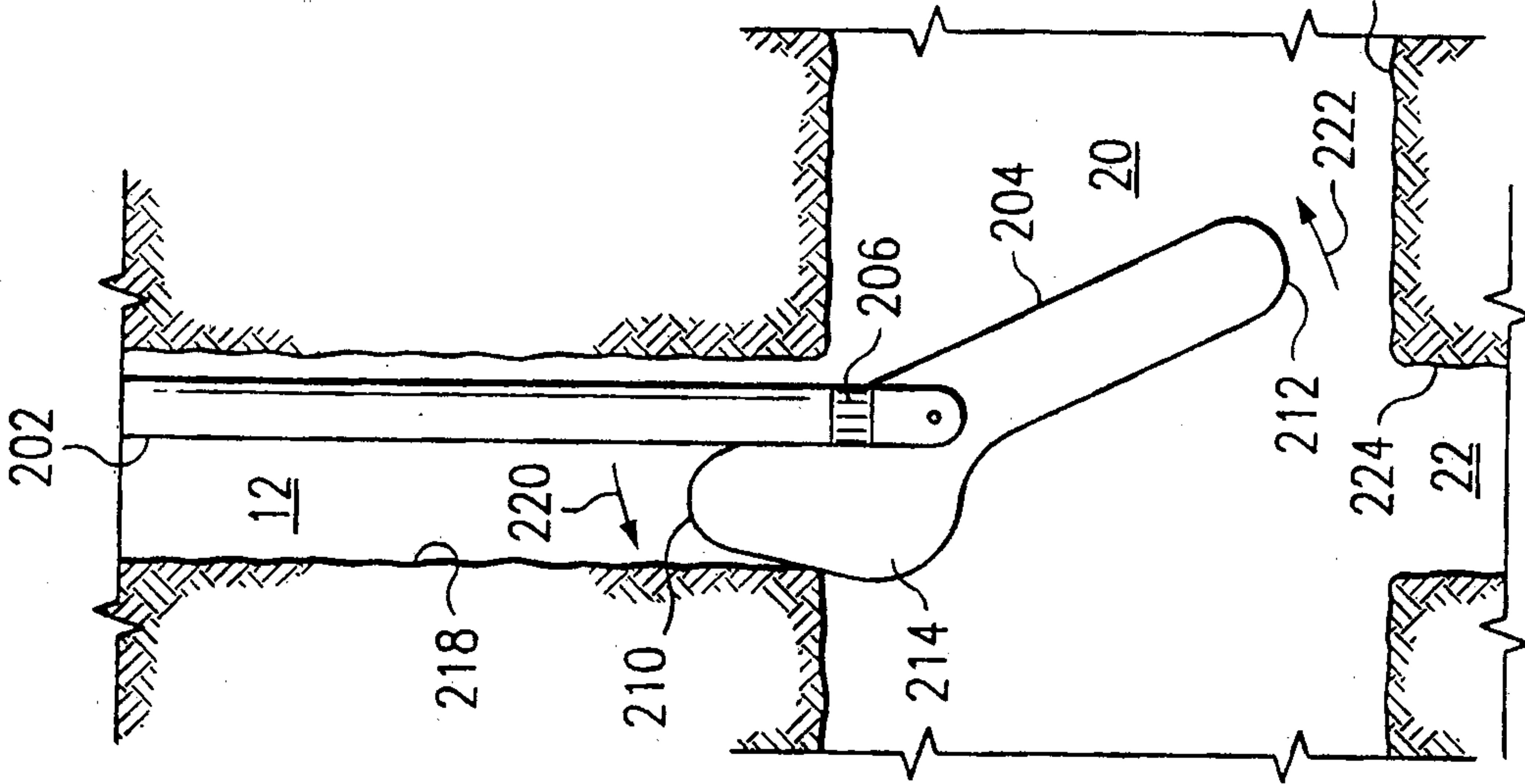


FIG. 9B

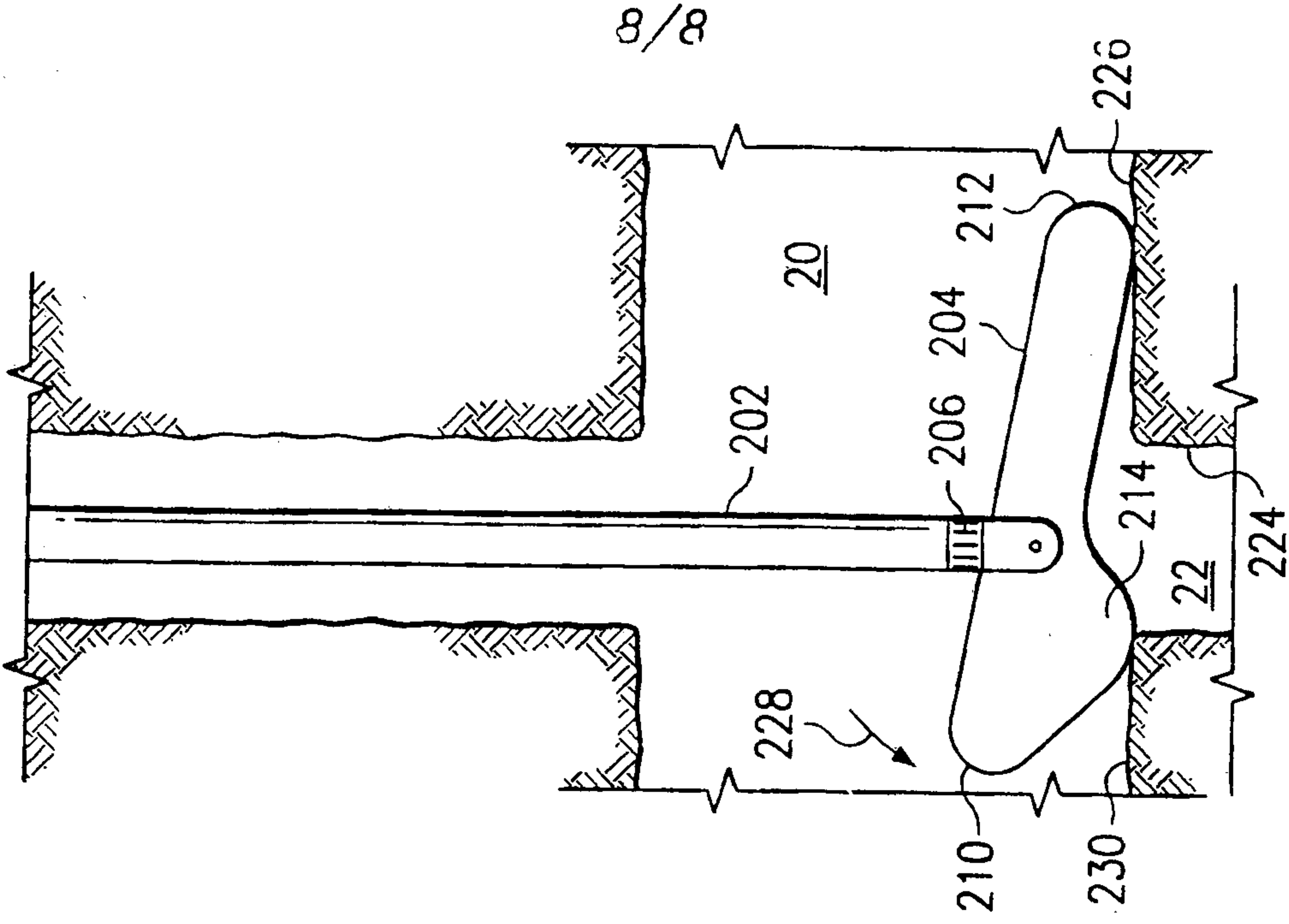


FIG. 9C

