



- (51) **International Patent Classification:**
G06F 15/78 (2006.01)
- (21) **International Application Number:**
PCT/GB2014/051906
- (22) **International Filing Date:**
20 June 2014 (20.06.2014)
- (25) **Filing Language:** English
- (26) **Publication Language:** English
- (30) **Priority Data:**
1311682.7 28 June 2013 (28.06.2013) GB
- (71) **Applicant:** THE UNIVERSITY OF MANCHESTER [GB/GB]; Oxford Road, Manchester, Greater Manchester M13 9PL (GB).
- (72) **Inventors:** VAN SILFHOUT, Roelof Gozewijn; The University of Manchester, Oxford Road, Manchester Greater Manchester M13 9PL (GB). KACHATKOU, Anton; The University of Manchester, Oxford Road, Manchester, Greater Manchester M13 9PL (GB).
- (74) **Agent:** HUTCHINSON, Glenn; HGF Limited, Fountain Precinct, Balm Green, Sheffield, South Yorkshire S1 2JA (GB).
- (81) **Designated States** (unless otherwise indicated, for every kind of national protection available): AE, AG, AL, AM, AO, AT, AU, AZ, BA, BB, BG, BH, BN, BR, BW, BY, BZ, CA, CH, CL, CN, CO, CR, CU, CZ, DE, DK, DM,

DO, DZ, EC, EE, EG, ES, FI, GB, GD, GE, GH, GM, GT, HN, HR, HU, ID, IL, IN, IR, IS, JP, KE, KG, KN, KP, KR, KZ, LA, LC, LK, LR, LS, LT, LU, LY, MA, MD, ME, MG, MK, MN, MW, MX, MY, MZ, NA, NG, NI, NO, NZ, OM, PA, PE, PG, PH, PL, PT, QA, RO, RS, RU, RW, SA, SC, SD, SE, SG, SK, SL, SM, ST, SV, SY, TH, TJ, TM, TN, TR, TT, TZ, UA, UG, US, UZ, VC, VN, ZA, ZM, ZW.

- (84) **Designated States** (unless otherwise indicated, for every kind of regional protection available): ARIPO (BW, GH, GM, KE, LR, LS, MW, MZ, NA, RW, SD, SL, SZ, TZ, UG, ZM, ZW), Eurasian (AM, AZ, BY, KG, KZ, RU, TJ, TM), European (AL, AT, BE, BG, CH, CY, CZ, DE, DK, EE, ES, FI, FR, GB, GR, HR, HU, IE, IS, IT, LT, LU, LV, MC, MK, MT, NL, NO, PL, PT, RO, RS, SE, SI, SK, SM, TR), OAPI (BF, BJ, CF, CG, CI, CM, GA, GN, GQ, GW, KM, ML, MR, NE, SN, TD, TG).

Declarations under Rule 4.17:

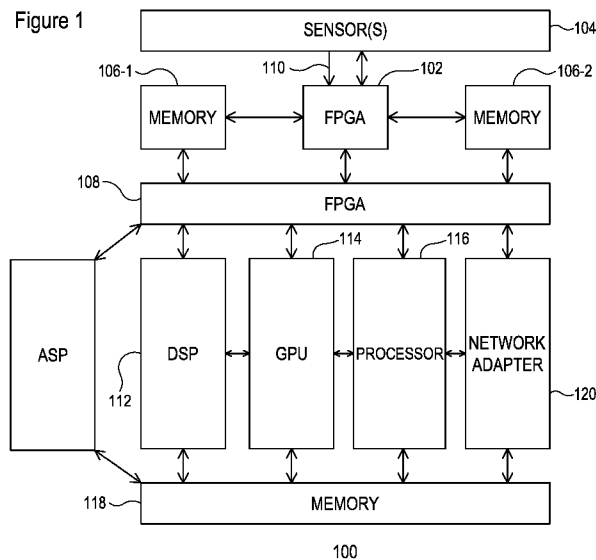
— of inventorship (Rule 4.17(iv))

Published:

- with international search report (Art. 21(3))
- before the expiration of the time limit for amending the claims and to be republished in the event of receipt of amendments (Rule 48.2(h))

- (88) **Date of publication of the international search report:**
16 April 2015

(54) **Title:** DATA PROCESSING SYSTEM AND METHOD



(57) **Abstract:** Embodiments of the present invention relate to a data processing system (100) comprising a first processor (116) having access to first configuration data; first configuration data (812) comprising at least a first configuration program for at least one of configuring and controlling a reconfigurable processor (102); the first processor being adapted to configure the reconfigurable processor using the first configuration data and the reconfigurable processor being arranged to operate according to the first configuration data (812).

WO 2014/207438 A3

INTERNATIONAL SEARCH REPORT

| |
|---|
| International application No PCT/GB2014/051906 |
|---|

A. CLASSIFICATION OF SUBJECT MATTER
 INV. G06F15/78
 ADD.

According to International Patent Classification (IPC) or to both national classification and IPC

B. FIELDS SEARCHED

Minimum documentation searched (classification system followed by classification symbols)
 G06F H04N

Documentation searched other than minimum documentation to the extent that such documents are included in the fields searched

Electronic data base consulted during the international search (name of data base and, where practicable, search terms used)
 EPO-Internal

C. DOCUMENTS CONSIDERED TO BE RELEVANT

| Category* | Citation of document, with indication, where appropriate, of the relevant passages | Relevant to claim No. |
|-----------|---|-----------------------|
| X | US 2006/020774 A1 (RAMOS JEREMY [US] ET AL) 26 January 2006 (2006-01-26) figures 1-2 figure 5 paragraph [0023] paragraph [0036] paragraph [0040] paragraph [0048] paragraph [0045] - paragraph [0046] ----- | 1-26, 34-38 |
| A | US 6 216 191 B1 (BRITTON BARRY K [US] ET AL) 10 April 2001 (2001-04-10) column 3, line 5 - line 21 ----- -/-- | 11 |

Further documents are listed in the continuation of Box C.

See patent family annex.

* Special categories of cited documents :

- "A" document defining the general state of the art which is not considered to be of particular relevance
- "E" earlier application or patent but published on or after the international filing date
- "L" document which may throw doubts on priority claim(s) or which is cited to establish the publication date of another citation or other special reason (as specified)
- "O" document referring to an oral disclosure, use, exhibition or other means
- "P" document published prior to the international filing date but later than the priority date claimed

- "T" later document published after the international filing date or priority date and not in conflict with the application but cited to understand the principle or theory underlying the invention
- "X" document of particular relevance; the claimed invention cannot be considered novel or cannot be considered to involve an inventive step when the document is taken alone
- "Y" document of particular relevance; the claimed invention cannot be considered to involve an inventive step when the document is combined with one or more other such documents, such combination being obvious to a person skilled in the art
- "&" document member of the same patent family

| | |
|--|---|
| Date of the actual completion of the international search 13 February 2015 | Date of mailing of the international search report 20/02/2015 |
|--|---|

| | |
|--|--|
| Name and mailing address of the ISA/ European Patent Office, P.B. 5818 Patentlaan 2 NL - 2280 HV Rijswijk Tel. (+31-70) 340-2040, Fax: (+31-70) 340-3016 | Authorized officer Bosch Vivancos, P |
|--|--|

INTERNATIONAL SEARCH REPORT

International application No
PCT/GB2014/051906

C(Continuation). DOCUMENTS CONSIDERED TO BE RELEVANT

| Category* | Citation of document, with indication, where appropriate, of the relevant passages | Relevant to claim No. |
|-----------|--|-----------------------|
| A | US 2013/107008 A1 (MUNINDER VELDANDI [IN]) 2 May 2013 (2013-05-02) paragraph [0017] paragraph [0030] paragraph [0035] | 22 |
| X | ----- US 5 784 291 A (CHEN IAN [US] ET AL) 21 July 1998 (1998-07-21) abstract figure 4 figure 6 figure 15 paragraph [0134] column 116, line 60 - column 117, line 18 | 19,20 |
| X | ----- US 2012/179423 A1 (ROBL STEFAN [DE]) 12 July 2012 (2012-07-12) abstract figures 1-2 paragraph [0010] - paragraph [0012] paragraph [0016] paragraph [0023] paragraph [0034] paragraph [0036] paragraph [0038] | 27-33 |
| X | ----- US 6 417 691 B1 (GOODMAN MITCHELL E [US] ET AL) 9 July 2002 (2002-07-09) figure 1 the whole document ----- | 27-33 |

INTERNATIONAL SEARCH REPORT

International application No.
PCT/GB2014/051906

Box No. II Observations where certain claims were found unsearchable (Continuation of item 2 of first sheet)

This international search report has not been established in respect of certain claims under Article 17(2)(a) for the following reasons:

1. Claims Nos.:
because they relate to subject matter not required to be searched by this Authority, namely:

2. Claims Nos.:
because they relate to parts of the international application that do not comply with the prescribed requirements to such an extent that no meaningful international search can be carried out, specifically:

3. Claims Nos.:
because they are dependent claims and are not drafted in accordance with the second and third sentences of Rule 6.4(a).

Box No. III Observations where unity of invention is lacking (Continuation of item 3 of first sheet)

This International Searching Authority found multiple inventions in this international application, as follows:

see additional sheet

1. As all required additional search fees were timely paid by the applicant, this international search report covers all searchable claims.
2. As all searchable claims could be searched without effort justifying an additional fees, this Authority did not invite payment of additional fees.
3. As only some of the required additional search fees were timely paid by the applicant, this international search report covers only those claims for which fees were paid, specifically claims Nos.:
4. No required additional search fees were timely paid by the applicant. Consequently, this international search report is restricted to the invention first mentioned in the claims; it is covered by claims Nos.:

Remark on Protest

- The additional search fees were accompanied by the applicant's protest and, where applicable, the payment of a protest fee.
- The additional search fees were accompanied by the applicant's protest but the applicable protest fee was not paid within the time limit specified in the invitation.
- No protest accompanied the payment of additional search fees.

FURTHER INFORMATION CONTINUED FROM PCT/ISA/ 210

This International Searching Authority found multiple (groups of) inventions in this international application, as follows:

1. claims: 1-18, 21-26, 34-38

Reconfigurable computing system with memory mapped FPGA

2. claims: 19, 20

Memory system for a data processing

3. claims: 27-33

Automatic configuration of controllers for sensors

INTERNATIONAL SEARCH REPORT

Information on patent family members

International application No

PCT/GB2014/051906

| Patent document cited in search report | Publication date | Publication date | Patent family member(s) | Publication date |
|--|------------------|------------------|-------------------------|------------------|
| US 2006020774 | A1 | 26-01-2006 | EP 1782430 A1 | 09-05-2007 |
| | | | JP 2008507778 A | 13-03-2008 |
| | | | US 2006020774 A1 | 26-01-2006 |
| | | | WO 2006031294 A1 | 23-03-2006 |
| ----- | | | | |
| US 6216191 | B1 | 10-04-2001 | NONE | |
| ----- | | | | |
| US 2013107008 | A1 | 02-05-2013 | NONE | |
| ----- | | | | |
| US 5784291 | A | 21-07-1998 | NONE | |
| ----- | | | | |
| US 2012179423 | A1 | 12-07-2012 | CN 102498443 A | 13-06-2012 |
| | | | DE 102009029495 A1 | 24-03-2011 |
| | | | US 2012179423 A1 | 12-07-2012 |
| | | | WO 2011032792 A1 | 24-03-2011 |
| ----- | | | | |
| US 6417691 | B1 | 09-07-2002 | NONE | |
| ----- | | | | |