



US00D829082S

(12) **United States Design Patent**
O'Brien

(10) **Patent No.:** **US D829,082 S**

(45) **Date of Patent:** **** Sep. 25, 2018**

(54) **WING BRACKET**

(71) Applicant: **TSI Products, Inc.**, Arlington, TX (US)

(72) Inventor: **Stephen William O'Brien**, Fort Worth, TX (US)

(73) Assignee: **TSI Products, Inc.**, Arlington, TX (US)

(**) Term: **15 Years**

(21) Appl. No.: **29/558,598**

(22) Filed: **Mar. 18, 2016**

(51) **LOC (11) Cl.** **08-05**

(52) **U.S. Cl.**
USPC **D8/366**

(58) **Field of Classification Search**
USPC D8/370, 44, 24, 25, 33, 383, 19, 330,
D8/355, 356, 349, 382, 371, 366, 363
CPC F16M 13/02
See application file for complete search history.

(56) **References Cited**

U.S. PATENT DOCUMENTS

- 1,120,935 A * 12/1914 Hammers A47H 1/13
248/253
- D168,074 S * 10/1952 Symington D8/354
- 3,144,235 A * 8/1964 Reilly B65G 39/145
193/37
- D201,638 S * 7/1965 Baler et al. D8/371

- D406,208 S * 3/1999 Law D6/523
- D487,693 S * 3/2004 Moen D8/363
- D617,592 S * 6/2010 Urquiola D6/518
- D663,611 S * 7/2012 Nunez Farfan D8/380
- D697,333 S * 1/2014 Ogle D6/521
- D753,472 S * 4/2016 Pan D8/371
- D792,197 S * 7/2017 Kundig D8/371
- 2002/0100786 A1 * 8/2002 Orihara A47K 10/38
225/46

* cited by examiner

Primary Examiner — Eliza Z Bennett-Hattan

(74) *Attorney, Agent, or Firm* — Hitchcock Evert LLP

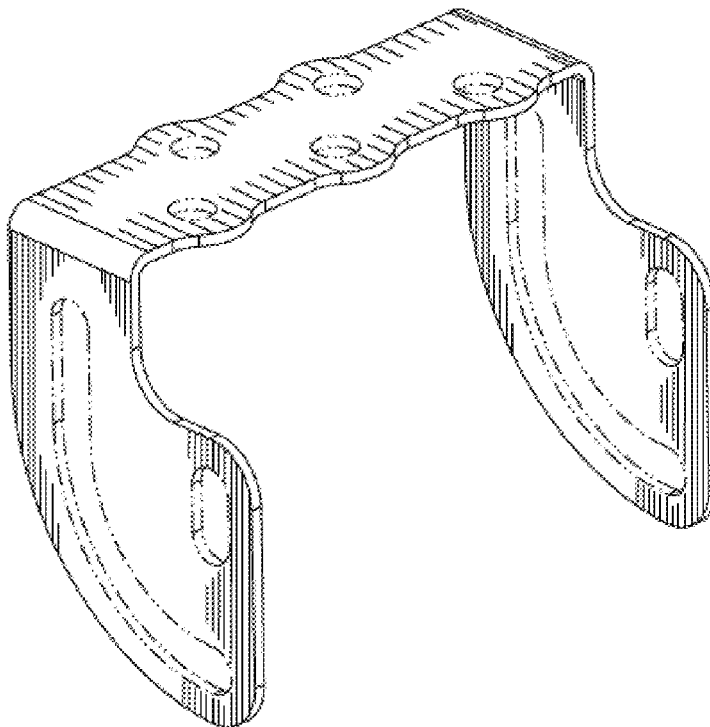
(57) **CLAIM**

The ornamental design for a wing bracket, as shown and described.

DESCRIPTION

FIG. 1 is a perspective view from the top-left of the wing bracket;
 FIG. 2 is a front view thereof;
 FIG. 3 is a back view thereof;
 FIG. 4 is a right side view thereof;
 FIG. 5 is a left side view thereof;
 FIG. 6 is a top view thereof;
 FIG. 7 is a bottom view thereof; and,
 FIG. 8 is a perspective view from the bottom-right thereof.
 The features shown in broken lines are for the purpose of illustrating portions of the article that form no part of the claimed design.

1 Claim, 6 Drawing Sheets



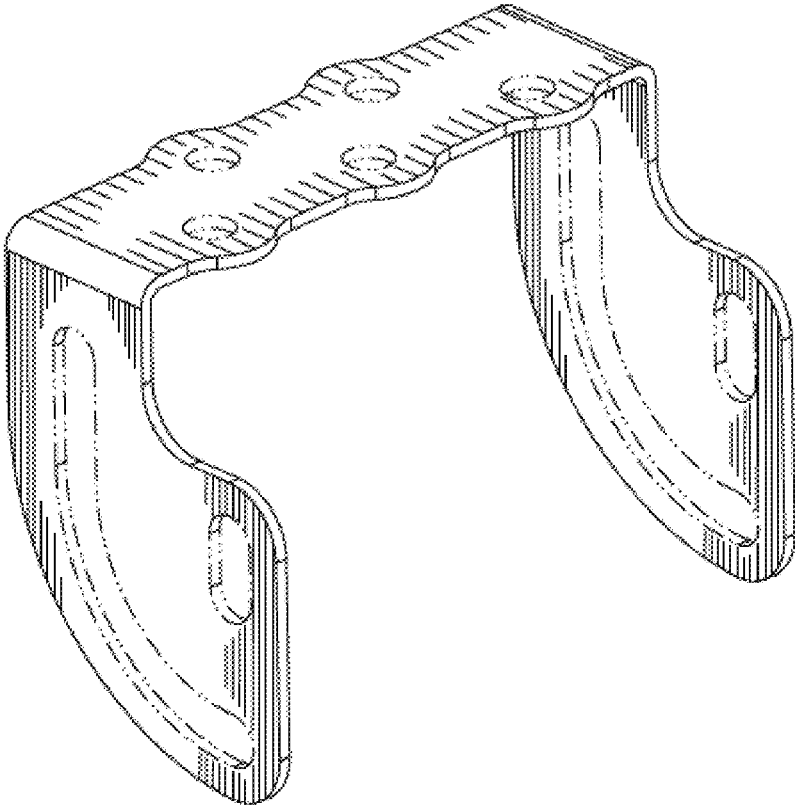


FIG. 1

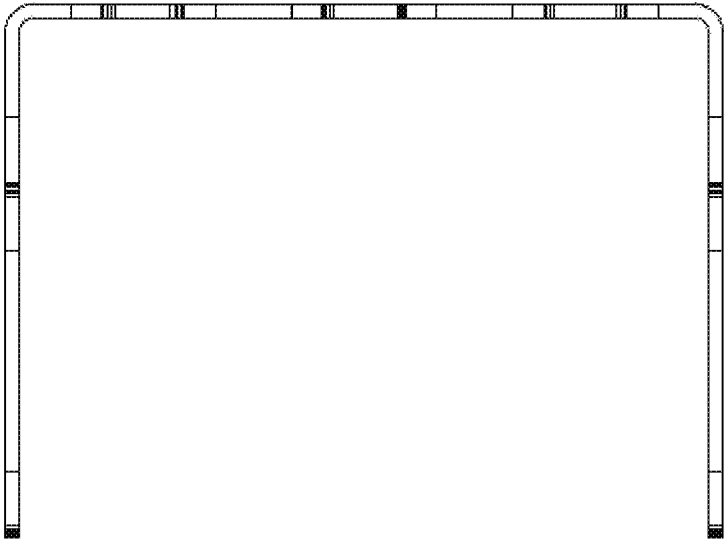


FIG. 2

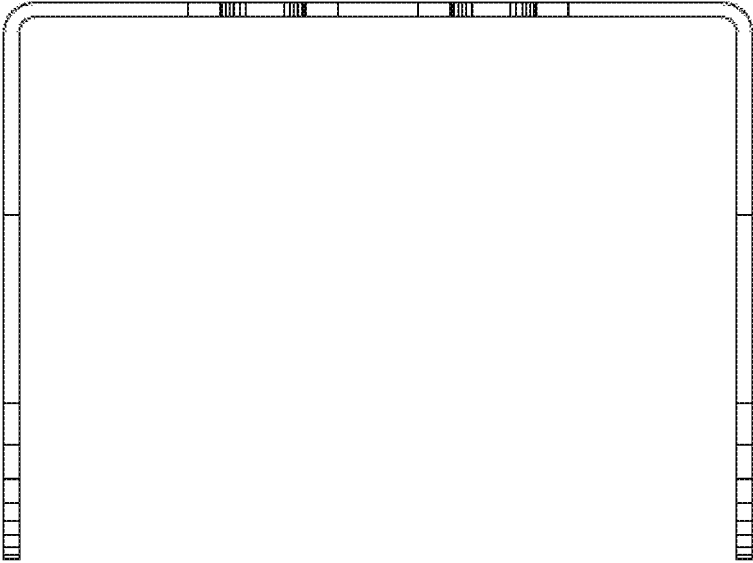


FIG. 3

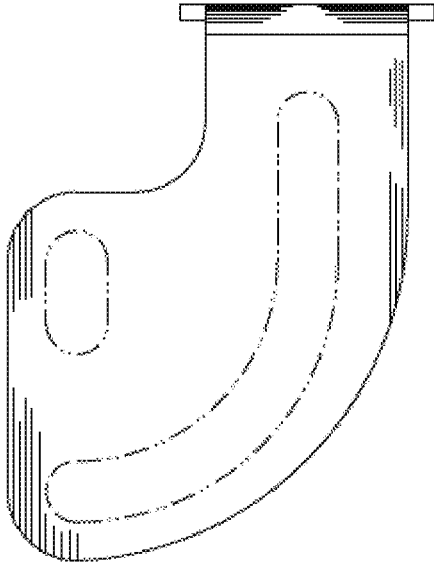


FIG. 4

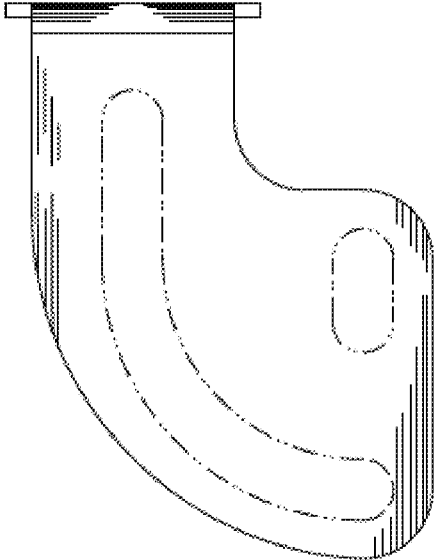


FIG. 5

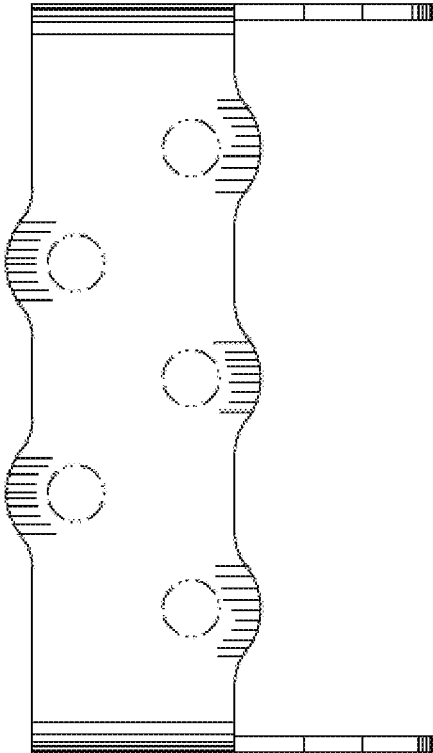


FIG. 6

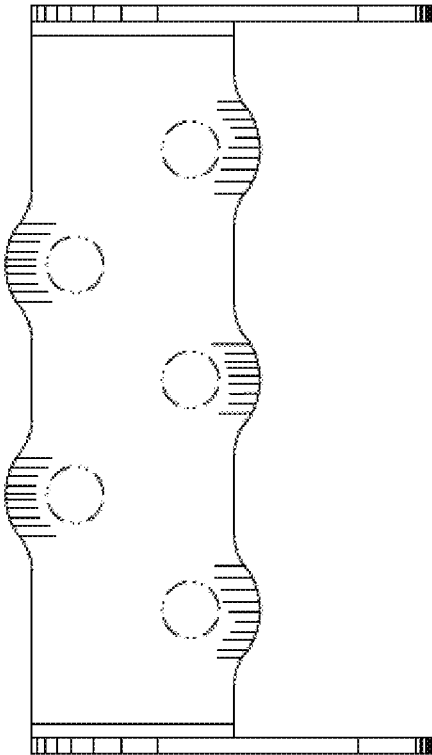


FIG. 7

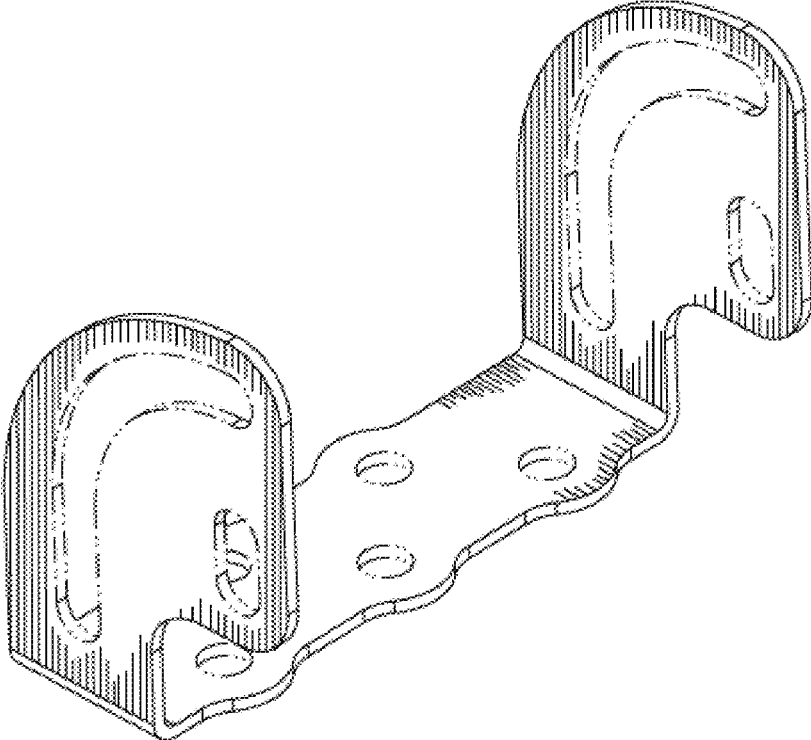


FIG. 8