



US0D1018902S

(12) **United States Design Patent**
Gallien

(10) **Patent No.:** **US D1,018,902 S**

(45) **Date of Patent:** **** *Mar. 19, 2024**

(54) **WALL-MOUNTED SHELF EXTRUSION**

(71) Applicant: **James Milton Gallien**, Hidden Hills,
CA (US)

(72) Inventor: **James Milton Gallien**, Hidden Hills,
CA (US)

(*) Notice: This patent is subject to a terminal disclaimer.

(**) Term: **15 Years**

(21) Appl. No.: **29/726,273**

(22) Filed: **Mar. 2, 2020**

(51) **LOC (14) Cl.** **25-01**

(52) **U.S. Cl.**
USPC **D25/119; D6/574**

(58) **Field of Classification Search**
USPC D6/574, 320-324, 572, 567; D7/698;
D26/72; 52/287.1; 108/28-29, 152;
211/13.1, 42, 86.01, 88.01, 90.01, 90.03,
211/126.1, 134, 153; 248/205.3, 235,
248/243, 247, 249, 250; 312/108, 140.2,
312/229; D25/119, 127, 131, 132
CPC A47B 43/00; A47B 43/04; A47B 47/0066;
A47B 47/04; A47B 63/00; A47B 69/00;
A47B 71/00; B65D 51/00
See application file for complete search history.

(56) **References Cited**

U.S. PATENT DOCUMENTS

D203,635	S	*	2/1966	Vernon	D25/119
D221,531	S	*	8/1971	Kimmel	D25/119
D227,981	S	*	7/1973	LaBorde	D25/119
D228,181	S	*	8/1973	LaBorde	D25/119
D228,598	S	*	10/1973	Mattheis	D6/574
D270,289	S	*	8/1983	Smith	D25/119
D299,962	S	*	2/1989	Hardy	D25/119
D316,790	S	*	5/1991	Robbins	D6/567
D323,091	S	*	1/1992	Boschetto	D6/574

D345,268	S	*	3/1994	Pate	D6/574
D443,163	S	*	6/2001	Welch	D6/574
D462,601	S	*	9/2002	Chaney	D25/119
D512,867	S	*	12/2005	Gates	D6/574
D546,103	S	*	7/2007	Eyman	D6/574
D557,963	S	*	12/2007	Hoernig	D6/574
D732,702	S	*	6/2015	Gallien	D25/119
D846,304	S	*	4/2019	Allen	D6/574
D910,425	S	*	2/2021	Gallien	D8/373

OTHER PUBLICATIONS

How to Hang a Sound Bar. Hangman Products (online) 1 pg.
Available Mar. 26, 2019. [Retrieved Feb. 16, 2023] <https://www.youtube.com/watch?v=NrdbCft46Co> (Year: 2019).*

* cited by examiner

Primary Examiner — Marie D. Fast Horse
Assistant Examiner — Jennifer Sierra Yosinski

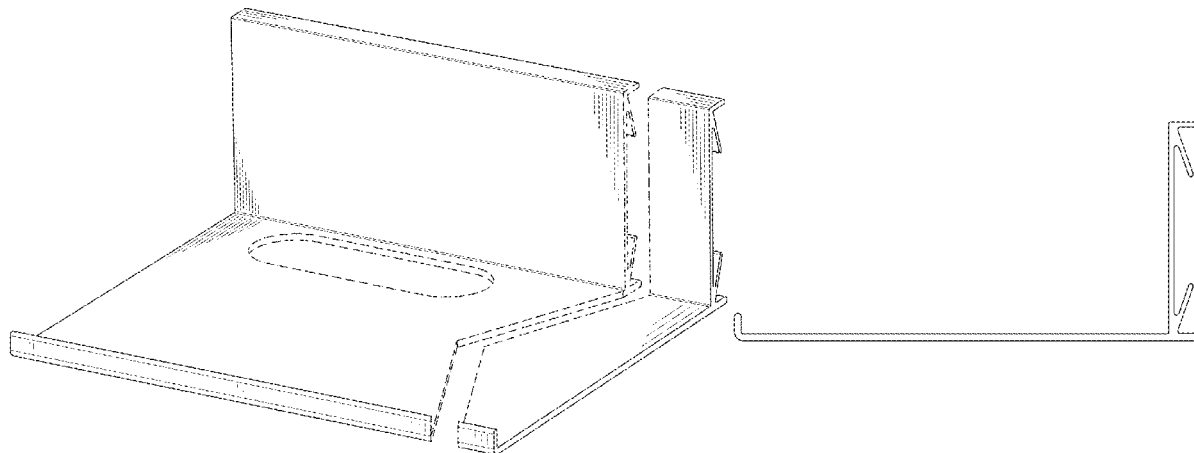
(57) **CLAIM**

The ornamental design for a wall-mounted shelf extrusion, as shown and described.

DESCRIPTION

FIG. 1 is a front perspective view of a wall-mounted shelf extrusion showing my new design;
FIG. 2 is a right side view thereof, the left side is a mirror image thereof;
FIG. 3 is a front elevation view thereof;
FIG. 4 is a rear elevation view thereof;
FIG. 5 is a top plan view thereof; and,
FIG. 6 is a bottom plan view thereof.
The wall-mounted shelf extrusion is shown with symbolic breaks, shown by broken lines, in its width. The appearance of any portion of the article between the break lines forms no part of the claimed design. The oval shape shown in broken lines in FIGS. 1, 5, and 6 represent a cutout in the extrusion that forms no part of the claimed design.

1 Claim, 3 Drawing Sheets



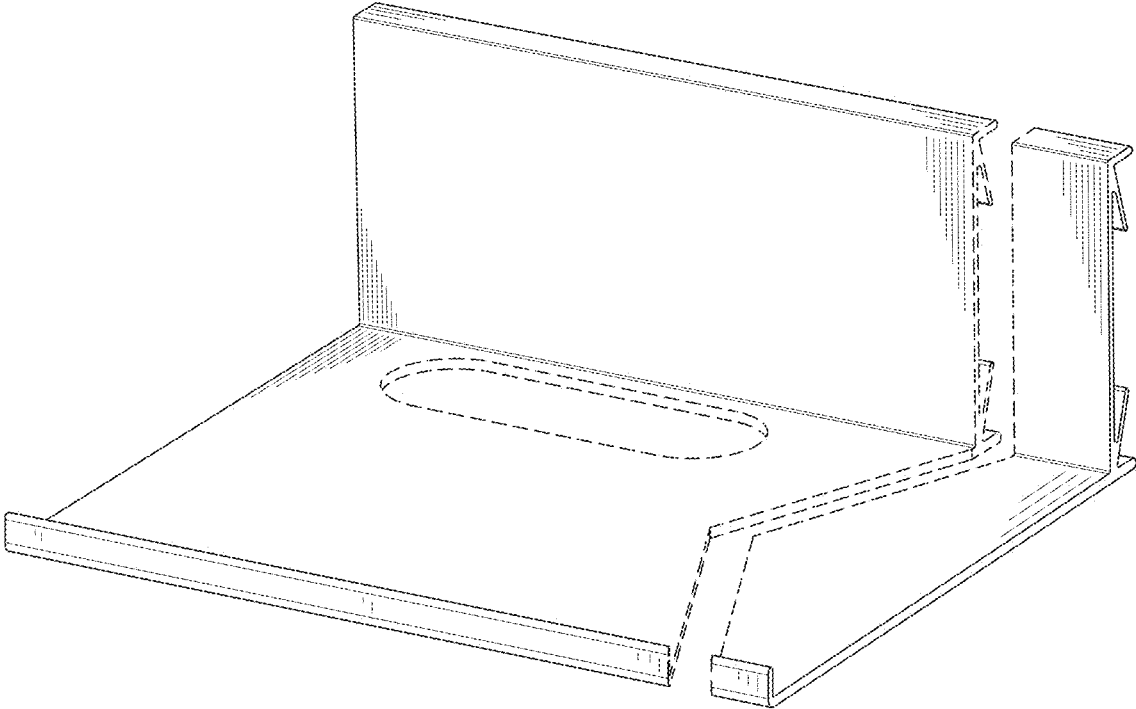


FIG. 1



FIG. 2

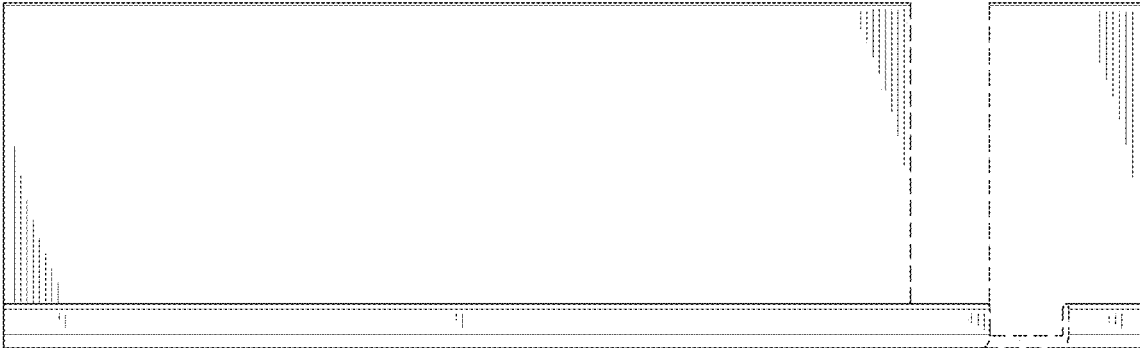


FIG. 3

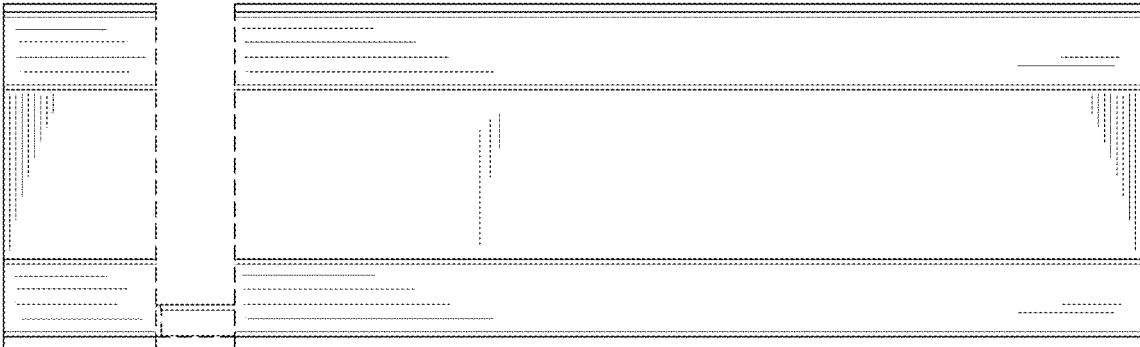


FIG. 4

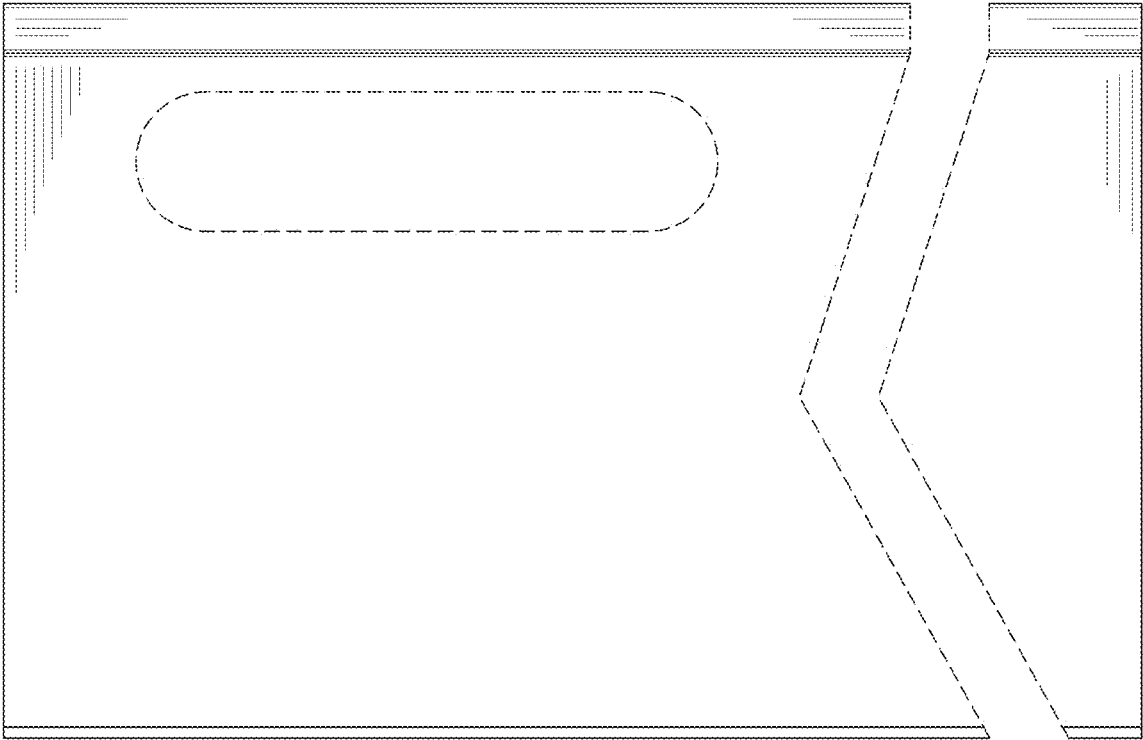


FIG. 5

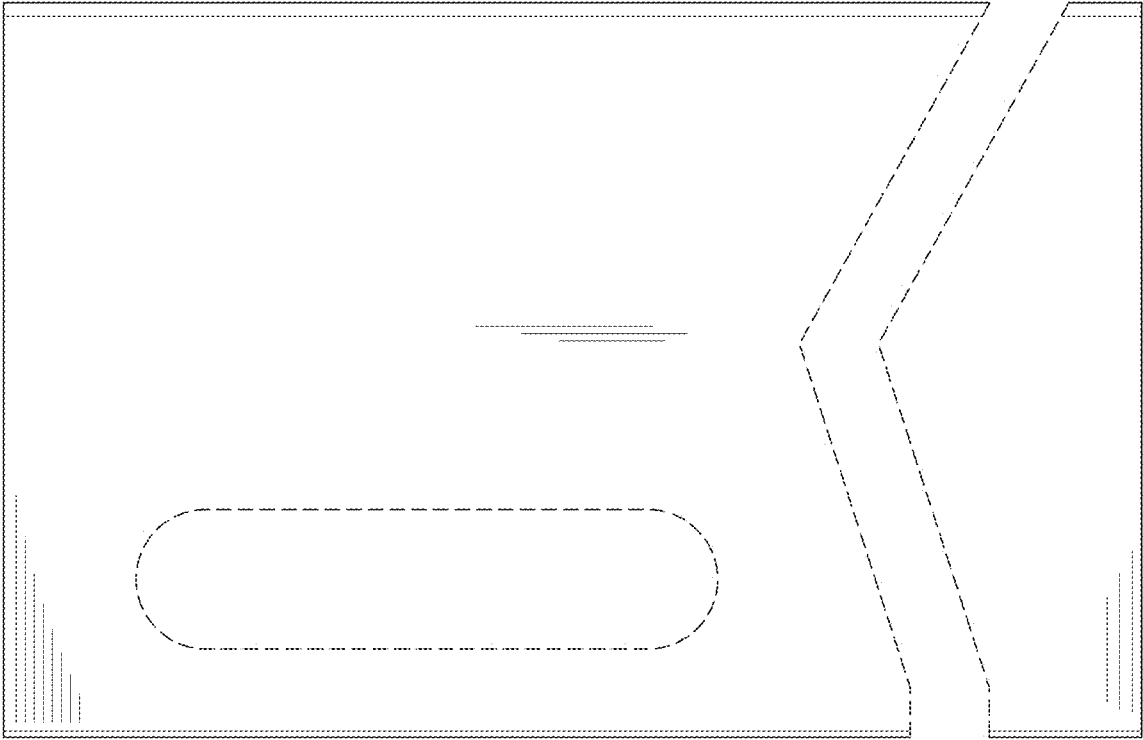


FIG. 6