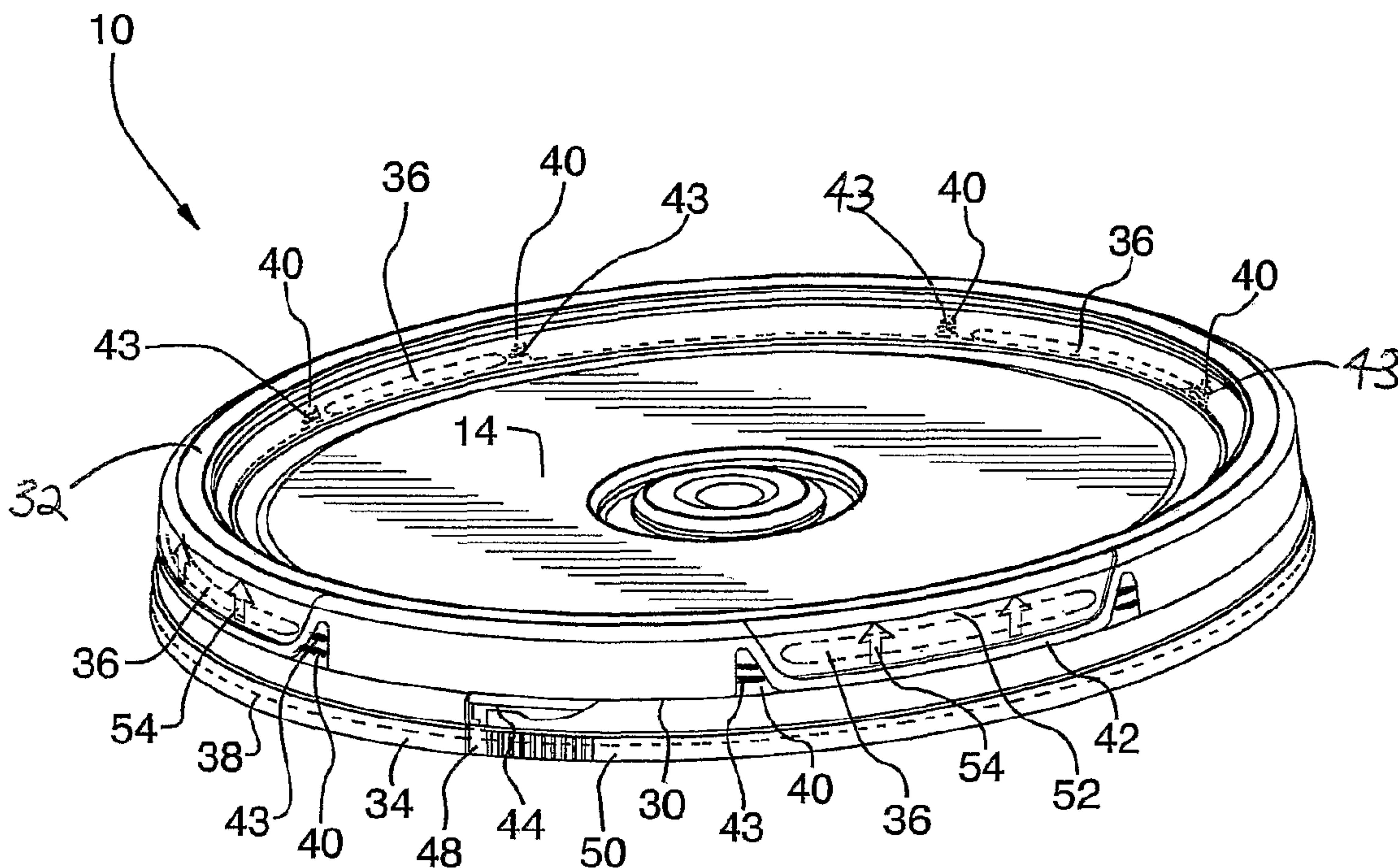




(86) Date de dépôt PCT/PCT Filing Date: 2002/03/20
 (87) Date publication PCT/PCT Publication Date: 2002/09/26
 (45) Date de délivrance/Issue Date: 2006/06/06
 (85) Entrée phase nationale/National Entry: 2003/09/08
 (86) N° demande PCT/PCT Application No.: CA 2002/000380
 (87) N° publication PCT/PCT Publication No.: 2002/074633
 (30) Priorités/Priorities: 2001/03/20 (US09/811,413);
 2001/12/19 (US60/340,842)

(51) Cl.Int./Int.Cl. *B65D 43/02* (2006.01)
 (72) Inventeur/Inventor:
 CICCONE, VINCE, CA
 (73) Propriétaire/Owner:
 INJECTNOTECH INC., CA
 (74) Agent: RIDOUT & MAYBEE LLP

(54) Titre : COUVERCLE DE RECEPTACLE AVEC BANDELETTE D'OUVERTURE
 (54) Title: CONTAINER LID WITH TEAR-OFF STRIP



(57) Abrégé/Abstract:

A plastic lid (10) is disclosed for a container having double locking flanges (18, 20) around its upper peripheral edge for locking engagement with the lid. The lid has central portion (14) and peripheral annular skirt (16). The skirt has a peripheral groove (30) dividing the skirt into an upper portion (32) and a lower tear-off strip portion (34). The upper portion has intermittent locking flange segments (36) for engaging the container locking flanges (18). The tear-off strip portion (34) has a second locking flange (38) for engaging the other of the container locking flanges (20). Thin membrane windows (40) are formed in the skirt upper portion on either side of the intermittent locking flange segments (36) and bordering on the annular groove, so that the membrane windows form weakened notches upon removal of the tear-off strip. Indicator means (52, 54, 56, 58) on the outer surface of the upper portion (32) mark the location of the locking flange segments (36).

(12) INTERNATIONAL APPLICATION PUBLISHED UNDER THE PATENT COOPERATION TREATY (PCT)

(19) World Intellectual Property Organization
International Bureau(43) International Publication Date
26 September 2002 (26.09.2002)

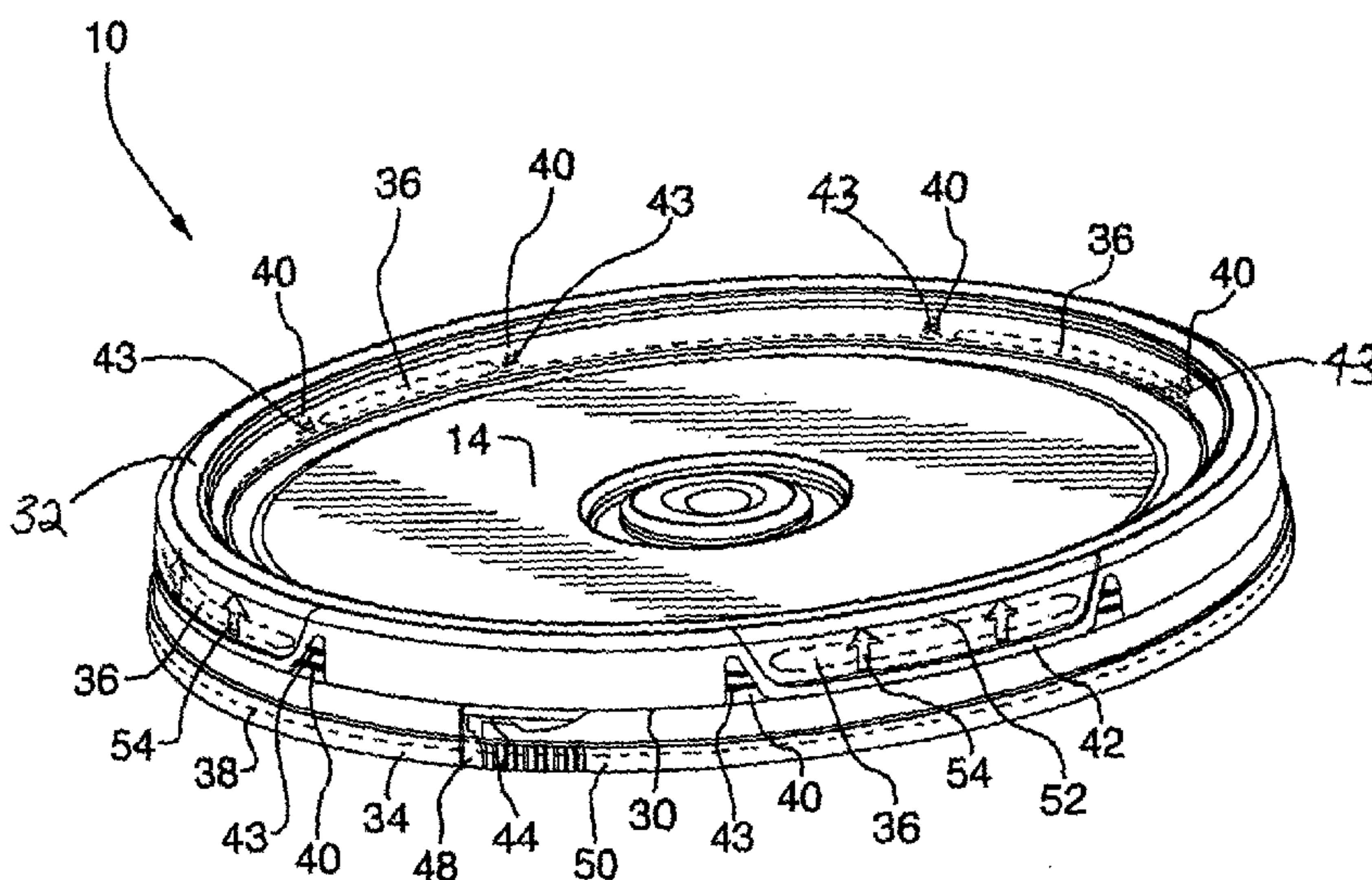
PCT

(10) International Publication Number
WO 02/074633 A3

- (51) International Patent Classification⁷: **B65D 43/02**
- (21) International Application Number: PCT/CA02/00380
- (22) International Filing Date: 20 March 2002 (20.03.2002)
- (25) Filing Language: English
- (26) Publication Language: English
- (30) Priority Data:
09/811,413 20 March 2001 (20.03.2001) US
60/340,842 19 December 2001 (19.12.2001) US
- (71) Applicant (for all designated States except US): **TOP GRADE MOLDS LTD.** [CA/CA]; 929 Pantera Drive, Mississauga, Ontario L4W 2R9 (CA).
- (72) Inventor; and
- (75) Inventor/Applicant (for US only): **CICCONE, Vince** [CA/CA]; 118 Rushworth Cres, Kleinburg, Ontario L0J 1C0 (CA).
- (74) Agents: **MOSS, W., Dennis** et al.; Ridout & Maybee LLP, 1 City Centre Drive, Suite 308, Mississauga, Ontario L5B 1M2 (CA).
- (81) Designated States (*national*): AE, AG, AL, AM, AT, AU, AZ, BA, BB, BG, BR, BY, BZ, CA, CH, CN, CO, CR, CU, CZ, DE, DK, DM, DZ, EC, EE, ES, FI, GB, GD, GE, GH, GM, HR, HU, ID, IL, IN, IS, JP, KE, KG, KP, KR, KZ, LC, LK, LR, LS, LT, LU, LV, MA, MD, MG, MK, MN, MW, MX, MZ, NO, NZ, OM, PH, PL, PT, RO, RU, SD, SE, SG, SI, SK, SL, TJ, TM, TN, TR, TT, TZ, UA, UG, US, UZ, VN, YU, ZA, ZM, ZW.
- (84) Designated States (*regional*): ARIPO patent (GH, GM, KE, LS, MW, MZ, SD, SL, SZ, TZ, UG, ZM, ZW), Eurasian patent (AM, AZ, BY, KG, KZ, MD, RU, TJ, TM), European patent (AT, BE, CH, CY, DE, DK, ES, FI, FR, GB, GR, IE, IT, LU, MC, NL, PT, SE, TR), OAPI patent (BF, BJ, CF, CG, CI, CM, GA, GN, GQ, GW, ML, MR, NE, SN, TD, TG).
- Published:**
— with international search report

[Continued on next page]

(54) Title: CONTAINER LID WITH TEAR-OFF STRIP



(57) **Abstract:** A plastic lid (10) is disclosed for a container having double locking flanges (18, 20) around its upper peripheral edge for locking engagement with the lid. The lid has central portion (14) and peripheral annular skirt (16). The skirt has a peripheral groove (30) dividing the skirt into an upper portion (32) and a lower tear-off strip portion (34). The upper portion has intermittent locking flange segments (36) for engaging the container locking flanges (18). The tear-off strip portion (34) has a second locking flange (38) for engaging the other of the container locking flanges (20). Thin membrane windows (40) are formed in the skirt upper portion on either side of the intermittent locking flange segments (36) and bordering on the annular groove, so that the membrane windows form weakened notches upon removal of the tear-off strip. Indicator means (52, 54, 56, 58) on the outer surface of the upper portion (32) mark the location of the locking flange segments (36).



WO 02/074633 A3

WO 02/074633 A3



— *before the expiration of the time limit for amending the claims and to be republished in the event of receipt of amendments*

For two-letter codes and other abbreviations, refer to the "Guidance Notes on Codes and Abbreviations" appearing at the beginning of each regular issue of the PCT Gazette.

(88) Date of publication of the international search report:
15 May 2003

- 1 -

TITLE OF THE INVENTION:

CONTAINER LID WITH TEAR-OFF STRIP

5 TECHNICAL FIELD

This invention relates to plastic containers, and in particular, to lids for such containers where the lids have tear-off strips to facilitate the removal of the lids.

10 BACKGROUND ART

In larger plastic containers, such as paint containers capable of holding many litres of paint, it is necessary to provide a strong attachment and good seal between the container and the lid, especially for shipping purposes. Usually, interlocking or inter-engaging flanges are provided on the lid and
15 the upper peripheral edge portion of the container to retain the lid on the container. The difficulty is that the stronger is the engagement between these interlocking flanges, and thus the stronger the attachment of the lid to the container, the more difficult it is to remove the lid when it is desired to do so. Ideally, one would like to have good engagement between the lid and the
20 container for shipping purposes, and some means for relieving or reducing the force of engagement between the lid and the container when it is desirable to remove the lid.

One method of accomplishing the above objectives is to provide the lid with a tear-off strip that contains the lid locking flange that engages the
25 container locking flange. When the lid is on the container, the engaged locking flanges hold the lid securely onto the container. When it is desired to remove the lid, the lid tear-off strip is removed, so there is no longer any locking engagement between the lid and the container. The lid is then easy to remove.

30 Sometimes, however, after the lid is removed, it is desirable to put the

- 2 -

lid back on the container and still have a good seal between the lid and the container. One way of achieving this result is shown in U.S. Patent No. 4,735,337 issued to John W. Von Holdt. In this patent, the lid outer skirt that contains the locking flange is provided with a zigzag tear line that defines a
5 tear-off strip. The tear line passes repeatedly through the locking flange, so that upon removal of the tear-off strip, portions of the locking flange are removed and only spaced-apart portions of the lid skirt locking flange remain. These remaining portions then provide a lid lock with reduced holding power, so that the lid can be removed and replaced.

10 Another example of such a lid is shown in U.S. Patent No. 4,930,656 issued to Henry J. Blanchette. In this Blanchette patent, an intermittent locking flange is provided on the lid peripheral skirt and an undulating annular groove is provided to form a tear-off strip. When the tear-strip is removed, the lid ends up with bendable flaps containing the locking flanges,
15 and these flaps yield to permit easier removal and replacement of the lid.

One difficulty with the prior art Von Holdt and Blanchette patents is that the zig zag or undulating tear-off strips are difficult to remove. The tooling to make the lids shown in these patents is also expensive because of the complex nature of the tear lines. The lid shown in the Blanchette patent is
20 also not as strongly retained on the container as would be desired, because only partial locking flanges are provided on the lid skirt.

DISCLOSURE OF THE INVENTION

In the present invention, a double locking flange is provided to
25 securely hold the lid on the container. One of the locking flanges is totally removed along with the tear-off strip leaving a second, intermittent yieldable locking flange for retention and resealing of the lid on the container.

According to the invention, there is provided a lid for a container

- 3 -

having upper and lower peripheral, outwardly disposed locking flanges, the flanges having undersides for locking engagement with the container lid. The lid comprises a central portion and a peripheral annular skirt adapted to overlie the container locking flanges. The annular skirt defines a peripheral
5 groove dividing the skirt into a skirt upper portion located adjacent to the container upper locking flange, and a lower tear-off strip portion located adjacent to the container lower locking flange. The skirt upper portion has inwardly disposed intermittent locking flange segments adapted to engage the underside of the container upper locking flange. The skirt upper portion also
10 is formed with thin membrane windows therein on either side of the locking flange segments and bordering on the peripheral groove. Also, the tear-off strip portion defines an inwardly disposed locking flange adapted to engage the underside of the container lower locking flange, so that removal of the tear-off strip portion leaves downwardly disposed thin membrane notches on
15 either side of the locking flange segments. Once the tear-off strip portion is removed, a portion or portions of the skirt upper portion including one of the locking flange segments may be pried out of engagement with the upper outwardly disposed flange of the container, thereby enabling the lid to be removed from the container.

20

BRIEF DESCRIPTION OF THE DRAWINGS

Preferred embodiments of the invention will now be described, by way of example, with reference to the accompanying drawings, in which:

Figure 1 is a perspective view of a preferred embodiment of a lid
25 according to the present invention shown mounted on a container;

Figure 2 is an enlarged perspective view, partly broken away, showing the interlocking flanges between the lid and container shown in Figure 1;

Figure 3 is a further enlarged perspective view of the portion of Figure

- 4 -

2 indicated by chain-dotted circle 3;

Figure 4 is an enlarged view of the portion of Figure 1 indicated in by chain-dotted circle 4;

5 Figure 5 is an enlarged elevational view taken along lines 5-5 of Figure 4;

Figure 6 is a sectional view taken along lines 6-6 of Figure 5;

Figure 7 is an elevational view similar to Figure 5 but showing a modified thin membrane window;

10 Figure 8 is a perspective view of the upper portion of Figure 1 showing one preferred embodiment of the locking flanges on the lid of the present invention;

Figure 9 is a perspective view similar to Figure 8 but showing another preferred embodiment of the locking flanges on the lid of the present invention;

15 Figures 10A to 10C are perspective views of embodiments of the lid according to the present invention including indicator means on the outer surface of the lid;

Figure 11 is a perspective view of a first square shaped embodiment of a lid of the present invention; and

20 Figure 12 is a perspective view of a second square shaped embodiment of a lid of the present invention.

BEST MODE FOR CARRYING OUT THE INVENTION

25 Referring firstly to Figure 1, a preferred embodiment of a container lid according to the present invention is generally located by reference numeral 10. Lid 10 is shown mounted on a container 12, but container 12 is not considered to be part of the present invention per se. Lid 10 includes a planar central portion 14 and a peripheral annular skirt 16. The size of container 12

- 5 -

is such that it holds typically from about 4 to 20 litres, and container 12 and lid 14 are most commonly made from plastic, such as polyethylene or polypropylene. However, any plastic or other material can be used for lid 10 that has some resiliency, as will be described further below.

5 Referring next to Figures 2 and 3, container 12 is shown having an upper, peripheral, annular, outwardly disposed locking flange 18 and a lower, annular, outwardly disposed locking flange 20 spaced from or below locking flange 18. Locking flanges 18, 20 have respective undersides 22, 24 for locking engagement with lid 10, as described further below. Container 12
10 also has a further peripheral annular flange 26 which forms the rim or brim of container 12, and which is located in an annular sealing groove 28 in lid 10 located between the lid central portion 14 and the peripheral annular skirt 16. When lid 10 is located on container 12, the container annular flange 26 is wedged into lid sealing groove 28 to provide a good seal between the
15 container and the lid. In other words, sealing groove 28 sealingly engages the rim 26 of the container. If desired, a gasket (not shown) can be used in groove 28, or groove 28 can be smaller than that shown in the drawings.

As seen best in Figure 3, the lid annular skirt 16 overlies the container locking flanges 18, 20. Annular skirt 16 defines or has an annular groove 30
20 which divides skirt 16 into a skirt upper portion 32 located adjacent to the container upper locking flange 18, and a lower tear-off strip portion 34 located adjacent to the container lower locking flange 20. Annular groove 30 can be on the inside surface of annular skirt 16 or the outside surface of this skirt, or partially in both, as shown in Figure 3.

25 As seen best in Figures 3 and 4 to 6, the skirt upper portion 32 is formed with inwardly disposed intermittent locking flange segments 36 which are adapted to engage the underside 22 of the container upper locking flange 18. Similarly, the tear-off strip portion 34 defines or has an inwardly

- 6 -

disposed locking flange 38 which is adapted to engage the underside 24 of the container lower locking flange 20.

As seen best in Figures 4, 5 and 6, skirt upper portion 32 is formed with triangularly shaped thin membrane windows 40 therein on either side of the locking flange segments 36. Windows 40 border on the annular groove 30, so that upon removal of tear-off strip portion 34, as will be described below, windows 40 turn into downwardly disposed V-shaped, weakened areas on either side of the locking flange segments 36. The part of skirt or upper portion 32 located between windows 40 that contains locking flange segments 36 thus becomes a flap 42 that can be pried outwardly and upwardly to release the locking flange segments 36 from container upper locking flange 18 and thus allow for the easy removal of lid 10 from container 12. The thin membrane windows can tear as flaps 42 are pried upwardly, or, if windows 40 are made thicker, they can stretch elastically and act as springs to help return flaps 42 to the locking position. The membranes of windows 40 typically are about .2 to .5 mm (0.008 to 0.020 inches) thick, and prevent dirt or other foreign matter from entering windows 40 and collecting on flange 20. If desired, membrane windows 40 can have strengthening or reinforcing ribs 43, especially if it is desired that the membranes not tear upon the lifting of flaps 42. With ribs 43, flaps 42 will more readily resume their original shape after being lifted.

Referring next to Figure 7, a modified membrane window 45 is shown where the membranes have openings 47 therethrough bordering on the annular groove 30. The removal of tear-off strip portion 34 thus leaves downwardly disposed open, inverted V-shaped open notches on either side of the locking flange segments 36 to make the lifting of flaps 42 easier. The openings or notches 47 can be any shape or configuration desired, even narrow vertical slits, if it is desired to prevent dirt or debris from passing

- 7 -

through windows 45.

As seen best in Figure 4, tear-off strip portion 34 is formed with a window 44 located adjacent to annular groove 30. Again, window 44 could have a thin wall or membrane covering to keep dirt out, or it could be an
5 actual opening formed in tear-off strip portion 34. Tear-off strip portion 34 has a lower peripheral edge 46, and tear-off strip portion 34 is formed with a reduced thickness portion 48 located between window 44 and lower peripheral edge 46. To remove tear-off strip portion 34, one can insert a tool, such a screwdriver into window 44 and pry the tear-off strip portion 34
10 outwardly to break reduced thickness portion 48. This provides a flap or tab 50 that can be grasped and pulled outwardly to tear the tear-off strip portion 34 along groove 30 to remove tear-off strip portion 34. It will be appreciated that removal of tear-off strip 34 also removes the locking flange or flanges 38, leaving only the intermittent locking flange segments 36 to engage the
15 container. This permits lid 10 to be removed easily by prying up flaps 42, yet the intermittent locking flange segment 36 permit lid 10 to be placed again on container 12 with good sealing engagement between the container rim or annular flange 26 and lid sealing groove 28. It will also be appreciated that breaking reduced thickness portion 48, and perhaps window 44, is a tamper
20 evidence feature for lid 10.

Referring to Figure 8, it will be seen that in this embodiment, lid 10 is provided with 4 equally-spaced intermittent locking flange segments 36 on the skirt upper portion 32. Also, tear-off strip portion 34 has an inwardly disposed locking flange 38 that is a continuous annular flange located around
25 the inside of tear-off strip portion 34. Locking flange 38 passes over the reduced thickness portion 48, and depending on the thickness of locking flange 38, it may be necessary to insert a knife into window 44 and cut downwardly through locking flange 38 and reduced thickness portion 48 in

- 8 -

order to break out tab 50 in this embodiment.

In the embodiment shown in Figure 9, there are only two diametrically opposed locking flange segments 36 on the inside of skirt upper portion 32. Also, tear-off strip portion 34 has a pair of semi-circular and inwardly disposed locking flanges or flange segments 38 rather than a continuous locking flange 38. The Figure 9 embodiment is useful for smaller containers where the lids need not be held so securely on containers 12. The Figure 8 embodiment is useful for larger containers where stronger retention between the lid and the container is desired. In fact, locking flange segments 36 could be located between all of the pairs of openings 40 to make an even stronger connection between the lid and the container. It will be appreciated that the size and the length and the number of locking flanges 36 and 38 can be configured as desired to give the necessary shipping strength to the container and lid combination of the present invention, or to provide for easier or more difficult removal and reinstallation of lid 10 for the re-use of container 12.

Shown in Figures 10A to 10C, are embodiments of the lid of the invention in which the outer surface of the skirt upper portion 32 corresponding to the position of the intermittent locking flange segment 36 includes indicator means on the outer surface, indicating to the user where to lift the flaps 42 when removing the lid 10 from the container, after the tear-off strip 34 has been removed. Shown in Figure 10A is an embodiment including the features of the lid of Figure 9 and further including indicator means comprises a recessed portion 52 which includes arrows pointing upwardly 54. The recessed portion and arrows indicate to the user where the intermittent locking flange 36 is located and thus where to lift the flap to disengage the lid from the upper outwardly disposed flange 18 of the container. Shown in Figure 10B and 10C are embodiments with variations in the indicator means, namely in Figure 10B a pattern of protrusions 56 are

- 9 -

present in the recessed portion 52 and in Figure 10C a high gloss patterned surface 58 are present in the recessed portion, indicating the position of the locking flange segments 36 and thereby where to lift the flaps 42. The recessed portion 52 in any of these embodiments may have a matted or textured surface. The thin membrane windows 40 of the embodiments shown in Figures 10A to 10C may include strengthening ribs 43, such as those shown in Figures 5 and 6. Such windows may be modified in the manner shown in Figure 7.

It should be understood that the lid and container of the invention may be rectangular or square in circumference. Examples of square lid embodiments are shown in Figures 11 to 12. The square lids preferably include the features as described in the embodiments above and illustrated in the Figures herein and may be utilized in essentially the same manner. For example shown in Figure 11 an embodiment of the lid 10 is provided with four intermittent locking flange segments 36 on the skirt upper portion 32, one on each side of the square for engaging the outwardly disposed locking flange 18 of the container. A tear off strip portion 34 has an inwardly disposed locking flange 38 present on each side of the square. This inwardly disposed locking flange 38 may be interrupted at each corner 60 of the square. The tear off strip portion 34 includes a reduced thickness portion 48 with a window 44 created when tab 50 is engaged with the skirt upper portion 32. The locking flange 38 passes over the reduced thickness portion and depending on the thickness of the flange, it may be necessary to cut through the locking flange and reduced thickness portion in order to break out tab 50. Figure 11 shows tab 50 broken out of engagement with the skirt upper portion 32. In a certain variation of this embodiment, the locking flange 38 is interrupted at the reduced thickness portion, thereby eliminating the need to cut through the flange 38 and reduced thickness portion 48 with a foreign

- 10 -

implement, allowing for easier removal of the tear off strip.

The embodiment of Figure 11 includes indicator means in the form of a recessed portion 52 with arrows 54 on the skirt upper portion 54 corresponding to each intermittent locking flange 36 segment thereby
5 indicating to the user where to lift the lid when disengaging it from the container. The skirt upper portion is formed with thin membrane windows 40 on either side of the upper locking flange segments 36. As discussed above, windows border on the annual groove 30 between the skirt upper portion 32 and tear off strip portion 34 such that upon removal of the tear off strip
10 portion 34 the windows become downwardly disposed V shaped weakened areas, thereby allowing the upper flange segments 36 between the windows 40 to be more easily lifted and released from the container outwardly disposed upper locking flange 18. The thin membrane windows on the square shaped lid of the invention described and illustrated herein may have
15 the same features and as those windows and variations thereof as described above and shown in the Figures, including but not limited to Figures 4, 5, 6 and 7.

In the second embodiment of the square container shown in Figure 12, there are only two locking flange segments 36 on the inside of skirt upper
20 portion 32, positioned on diametrically opposed sides of the square. This embodiment includes a recessed portion 52 indicating where to lift the lid for disengagement of the upper locking flange segment with the container upper locking flange 18. The tear off strip portion 34 may include a locking flange 38 extending around the entirety of the lid. Alternately, as discussed above
25 and disclosed in the figures, the tear off strip portion 34 may have several discontinuous locking flange segments 38 extending around the lid. For example, the corners 60 of the square may not include the flange segment 38.

The embodiment shown in Figure 12 may be utilized for containers

- 11 -

where the lids need not be held so securely on containers 12. Since the Figure 11 embodiment include greater means for retention of the lid on the container due to the presence of upper locking flange segments 36 on each side of the square container, the lid of Figure 11 will be useful for containers
5 where stronger retention between the lid and the container is desired.

As will be apparent to those skilled in the art in the light of the foregoing disclosure, many alterations and modifications are possible in the practice of this invention without departing from the spirit or scope thereof. Accordingly, the scope of the invention is to be construed in accordance with
10 the substance defined by the following claims.

- 12 -

CLAIMS:

1. A lid for a container having upper and lower peripheral, annular outwardly disposed locking flanges, said flanges having undersides for locking engagement with the container lid, the lid comprising: a central portion and a peripheral skirt adapted to overlie the container locking flanges; the peripheral skirt defining a peripheral groove dividing said skirt into a skirt upper portion located adjacent to the container upper locking flange, and a lower tear-off strip portion located adjacent to the container lower locking flange; the skirt upper portion having inwardly disposed intermittent locking flange segments adapted to engage the underside of the container upper locking flange; the skirt upper portion also being formed with thin membrane windows therein on either side of the locking flange segments and bordering on the peripheral groove; and the tear-off strip portion defining an inwardly disposed locking flange adapted to engage the underside of the container lower locking flange, so that removal of the tear-off strip portion leaves downwardly disposed thin membrane notches on either side of the locking flange segments.
2. A lid as claimed in claim 1 wherein the thin membrane windows are formed with openings therethrough bordering on the annular groove, so that removal of the tear-off strip portion leaves downwardly disposed open notches on either side of the locking flange segments.
3. A lid as claimed in claim 1 wherein the thin membrane windows are formed with strengthening ribs therein.
4. A lid as claimed in claim 1 wherein the tear-off strip portion inwardly disposed locking flange is formed of a plurality of spaced-apart flange

- 13 -

segments.

5. A lid as claimed in claim 1 wherein the tear-off strip portion is formed with a window located adjacent to the peripheral groove.

6. A lid as claimed in claim 5 wherein the tear-off strip portion has a lower peripheral edge, and wherein the tear-off strip portion is formed with a reduced thickness portion located between the tear-off strip portion window and said lower peripheral edge.

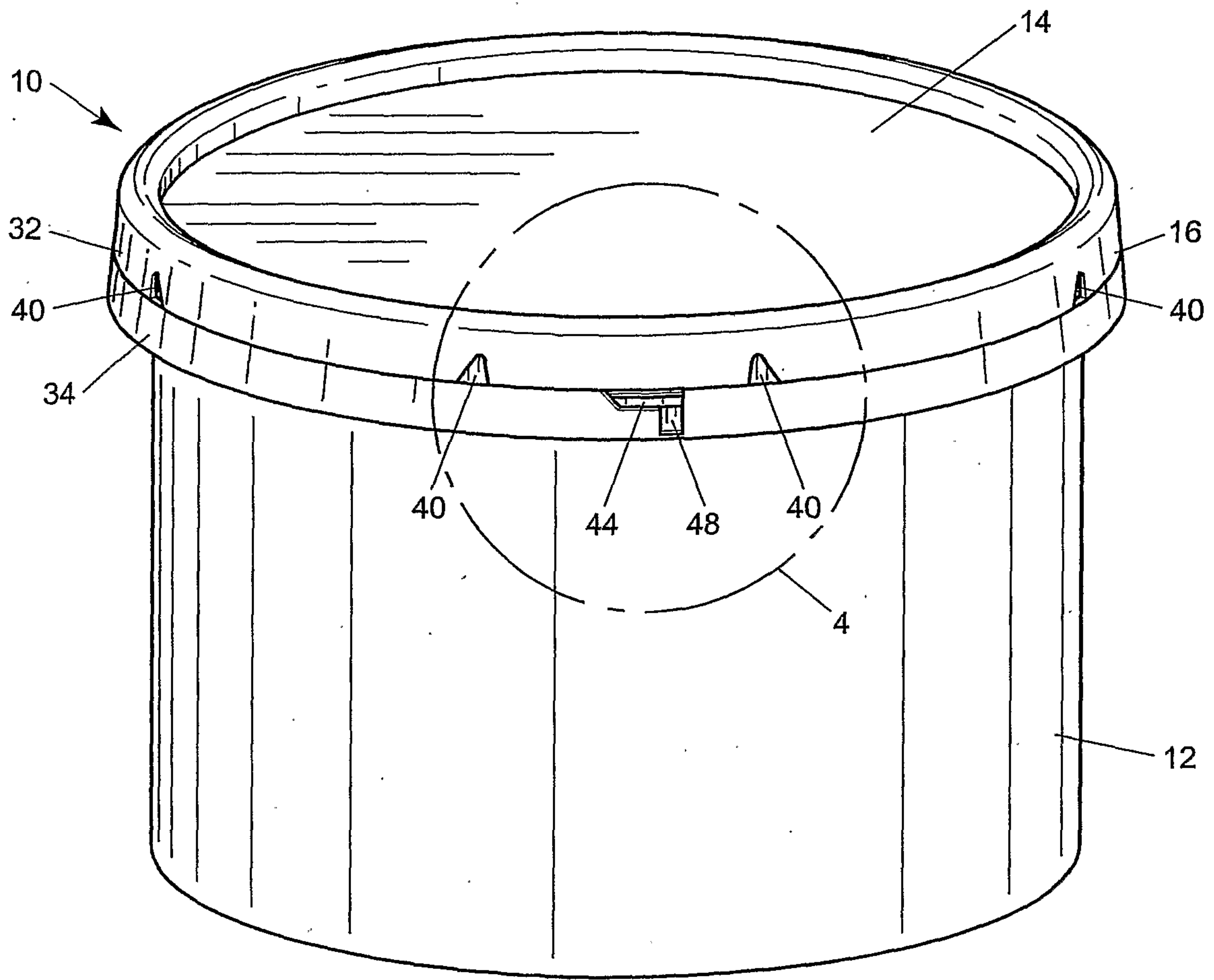
7. A lid as claimed in claim 1 wherein the lid further comprises means defining a peripheral sealing groove located between the lid central portion and the peripheral skirt, the sealing groove being adapted to sealingly engage the rim of the container.

8. A lid as claimed in claim 1 wherein the periphery of the lid and container are rectangular.

9. A lid as claimed in claim 1 wherein the periphery of lid and container are circular.

10. A lid as claimed in claim 1 wherein the skirt upper portion includes an outer surface, said outer surface including a recessed portion at the position of said inwardly disposed intermittent locking flange segments, thereby indicating the location of said locking flange segments.

Fig. 1



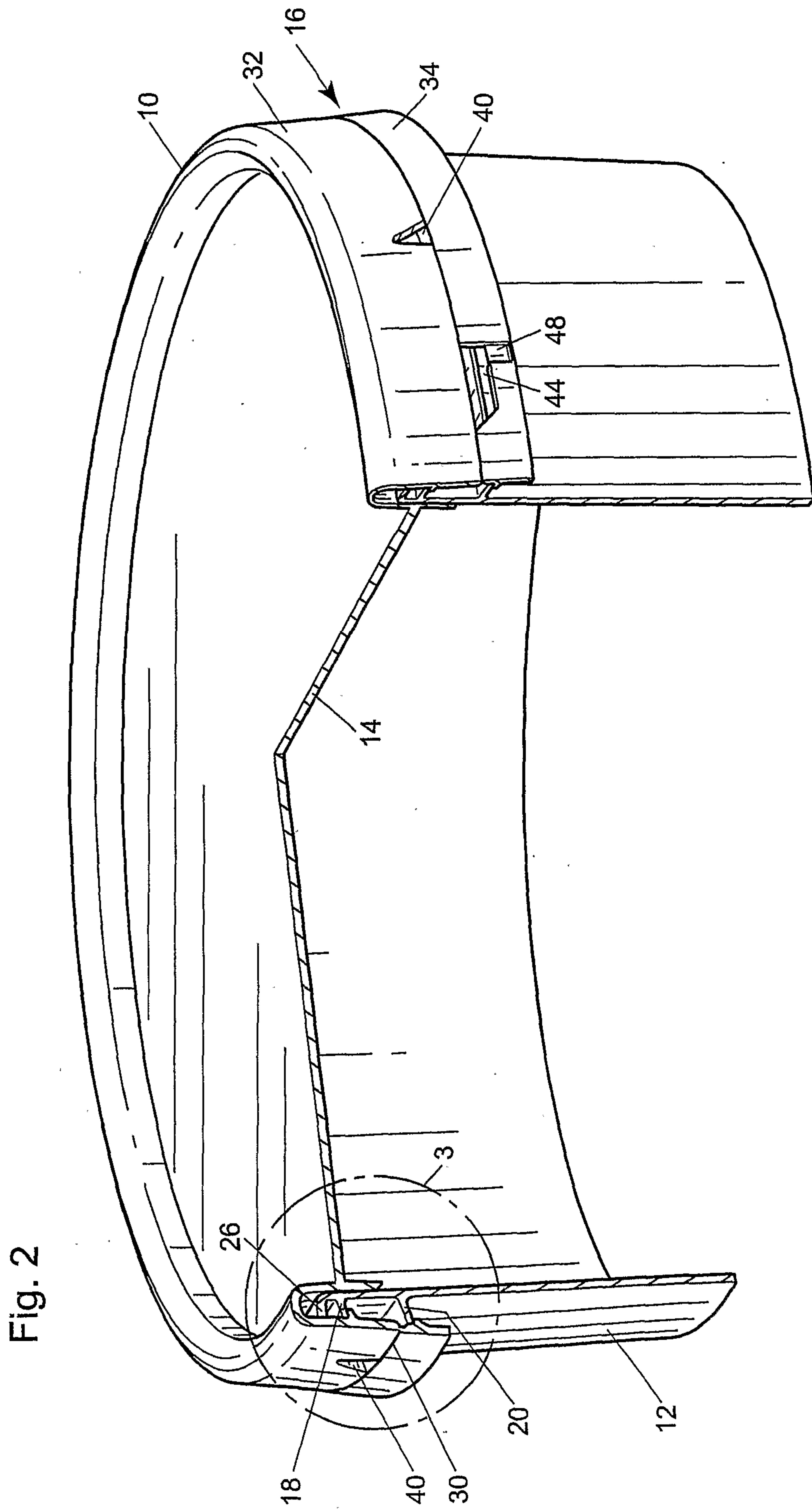


Fig. 3

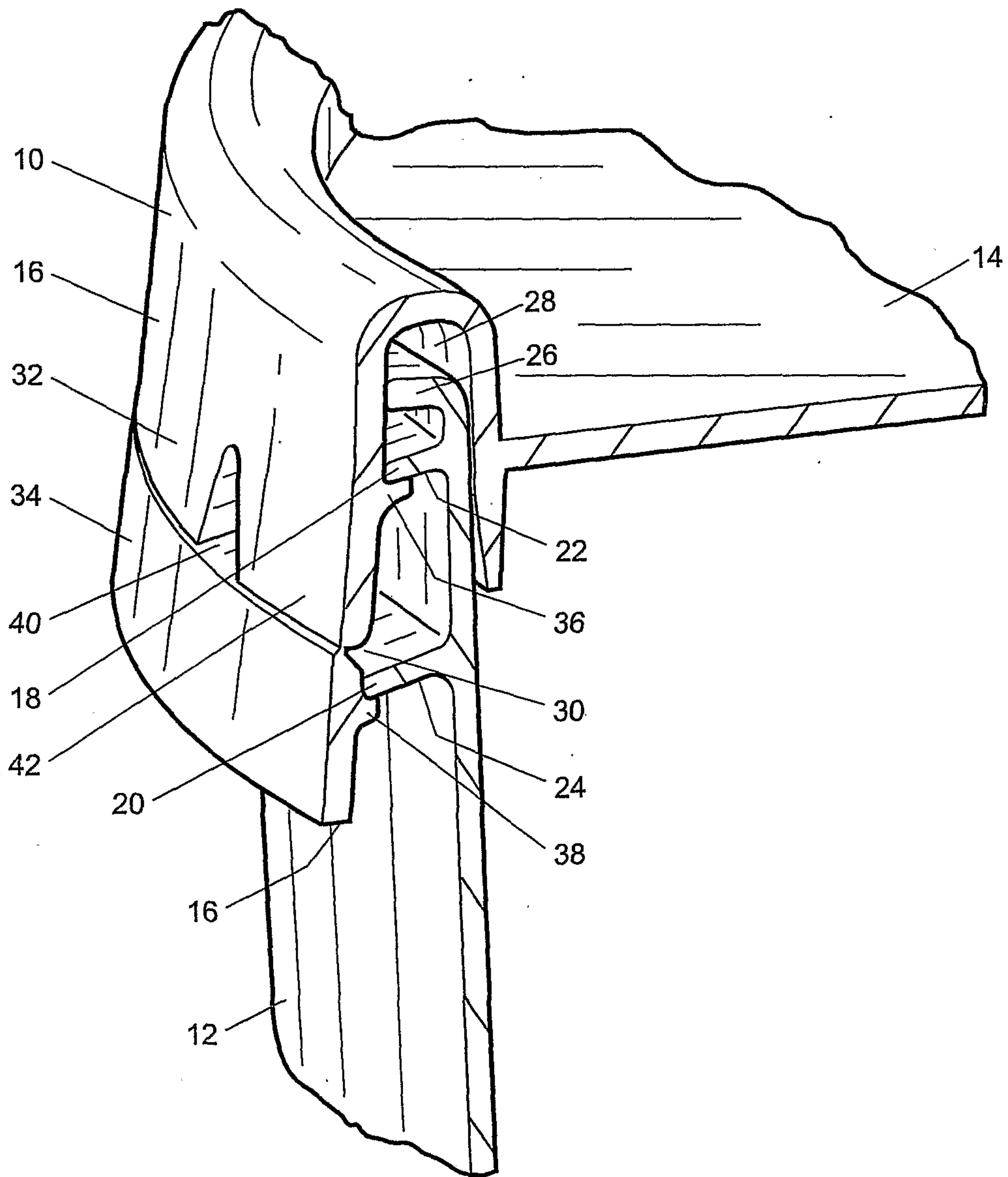
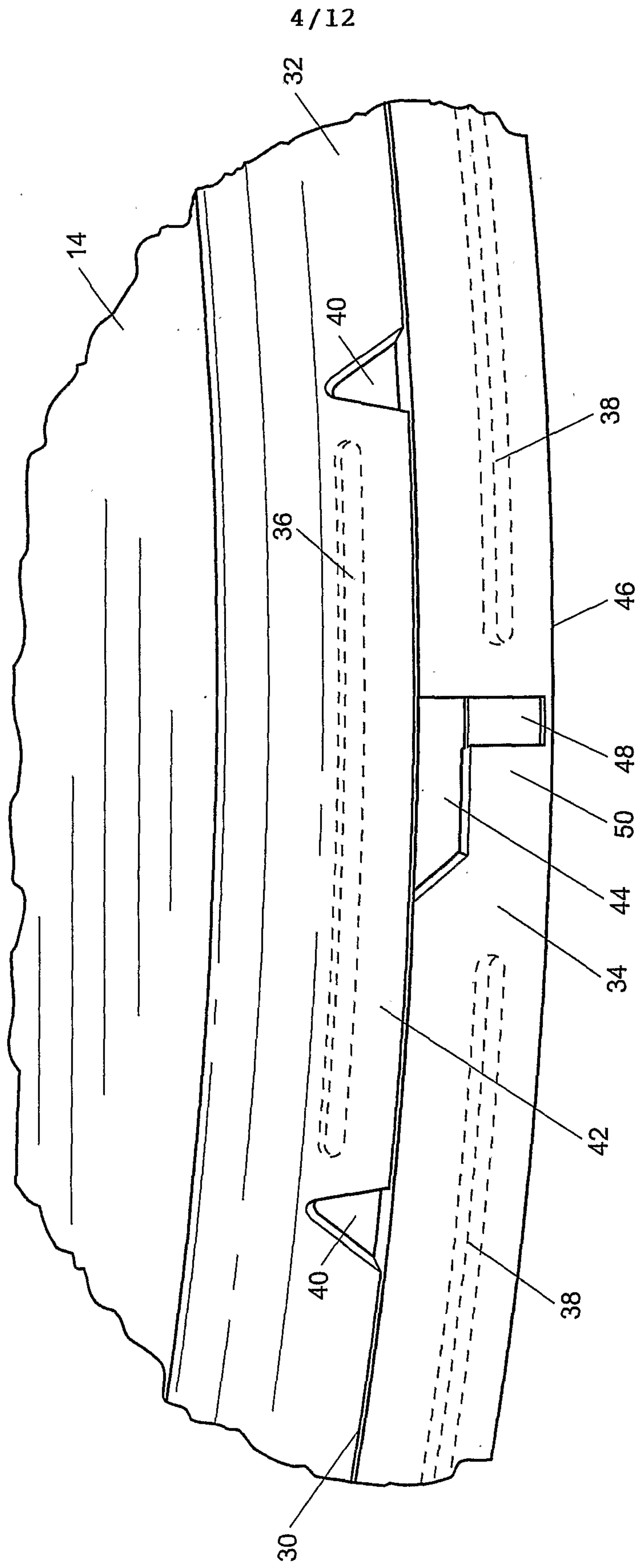


Fig. 4



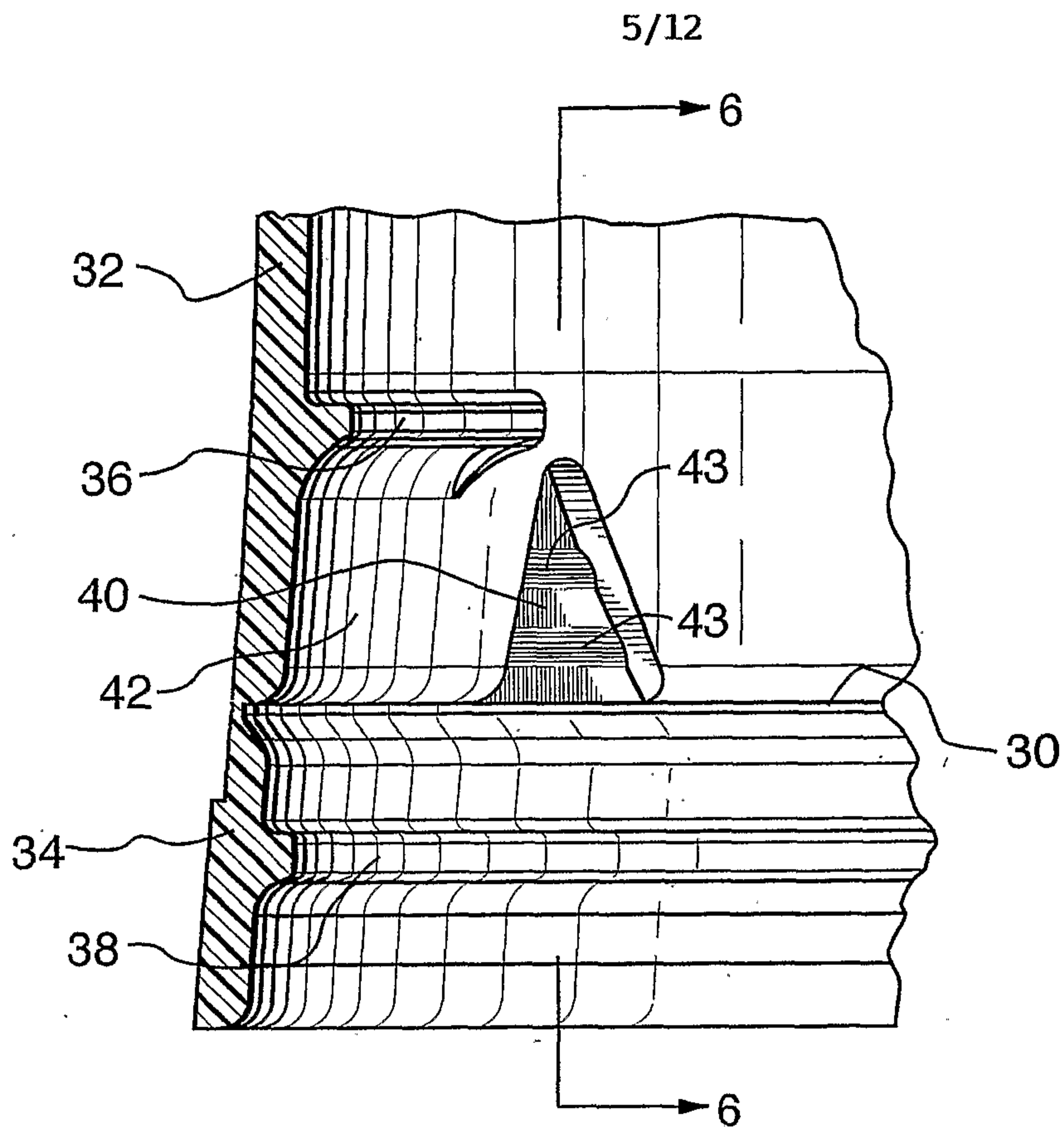


FIG.5

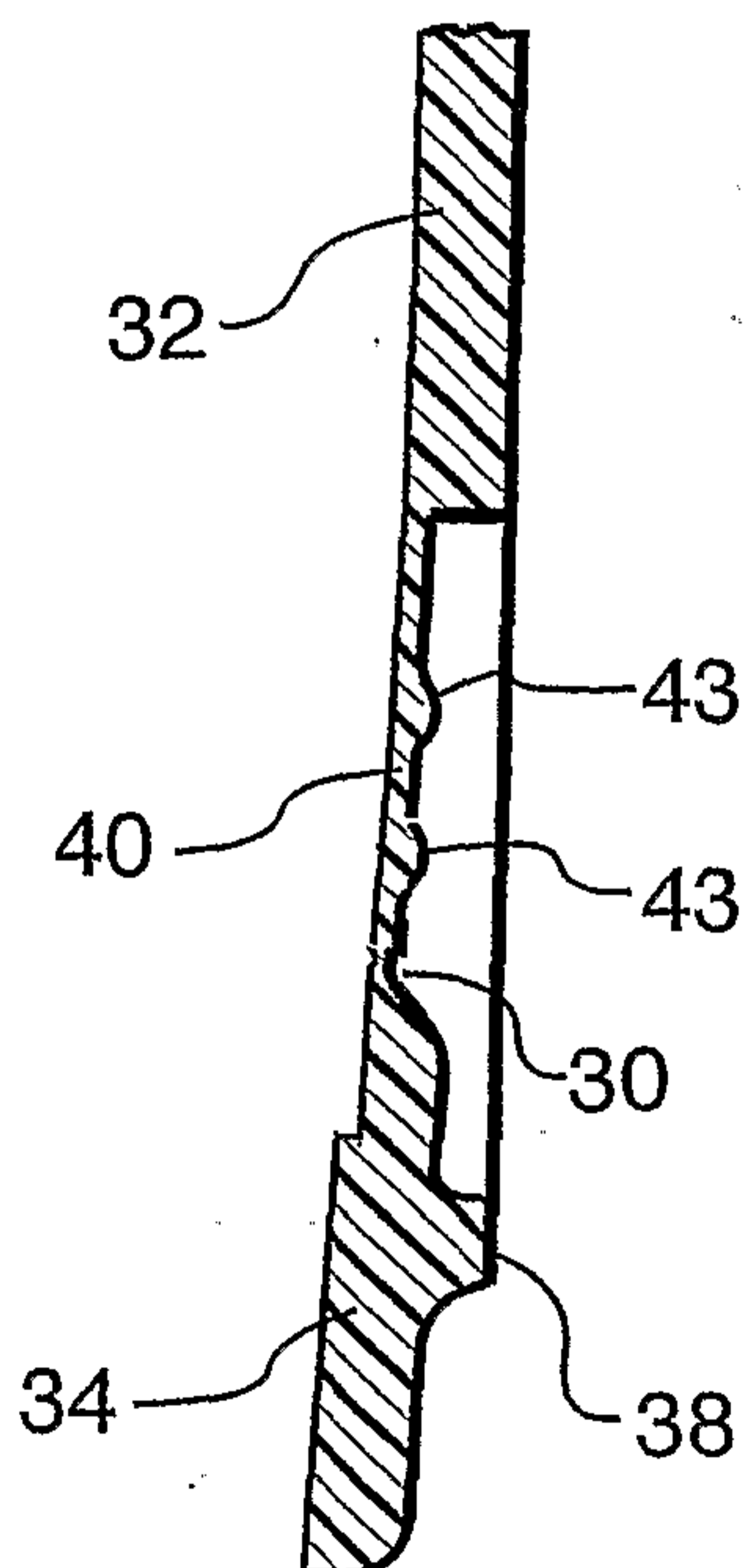


FIG.6

6/12

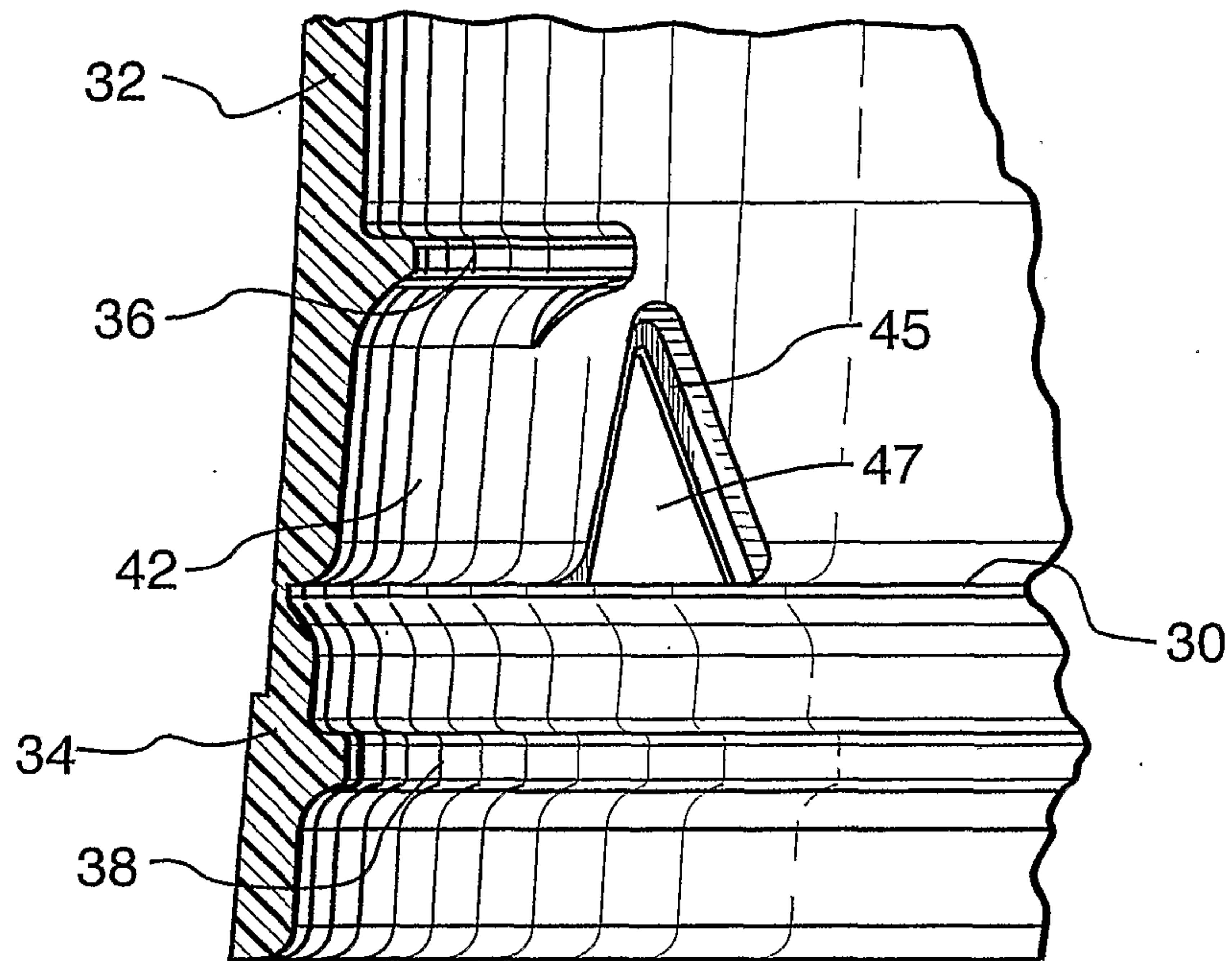


FIG. 7

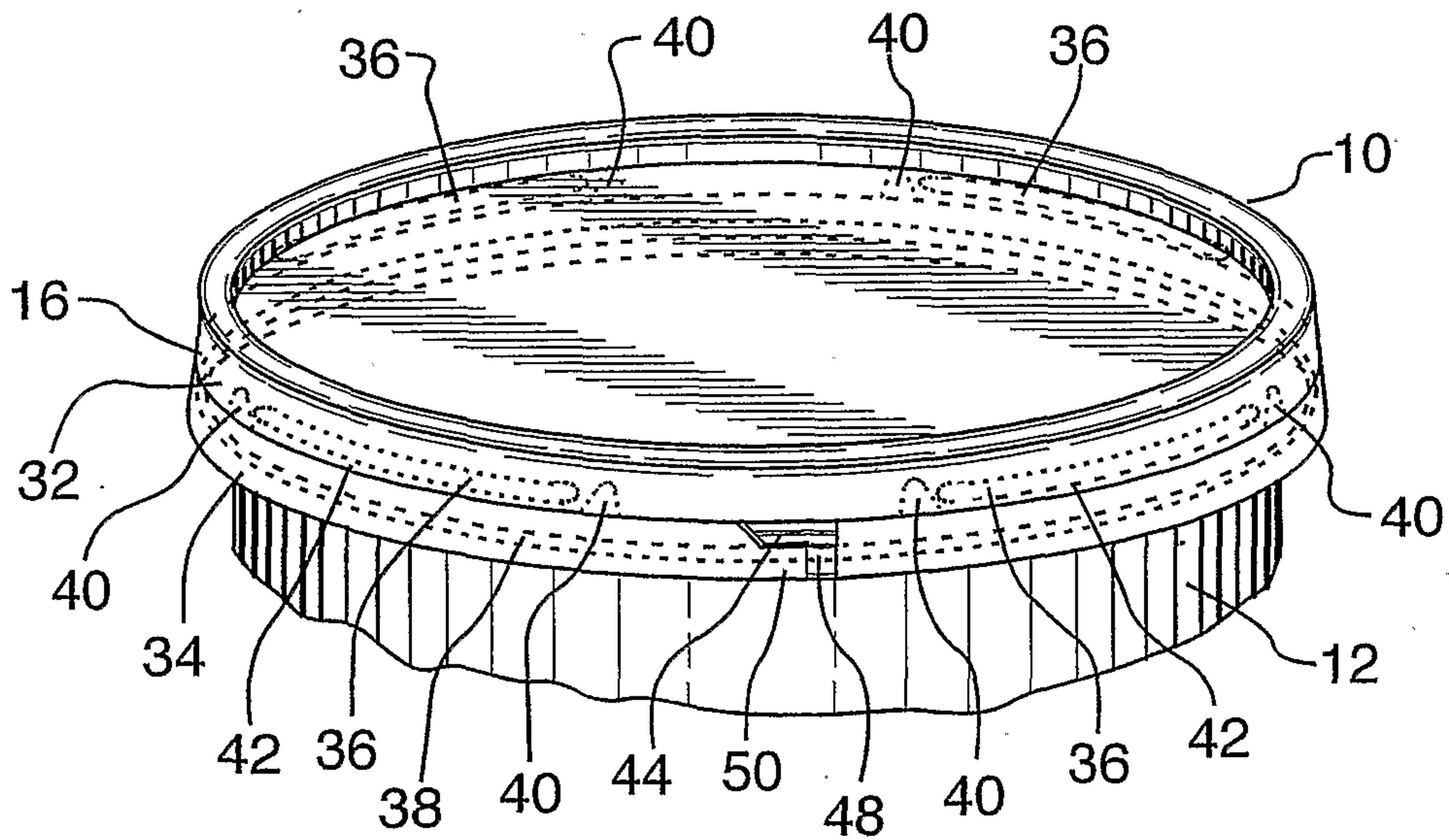


FIG. 8

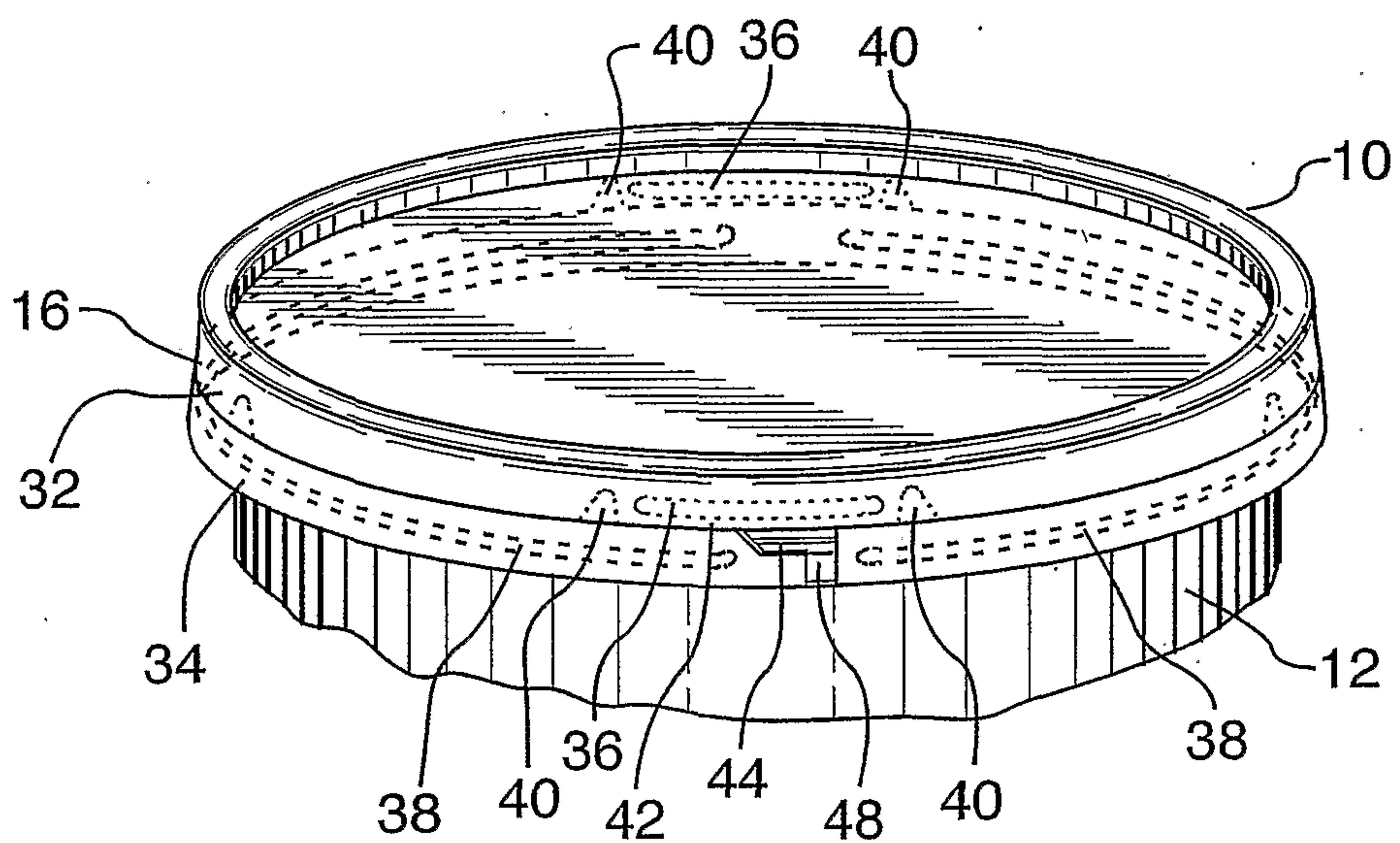


FIG. 9

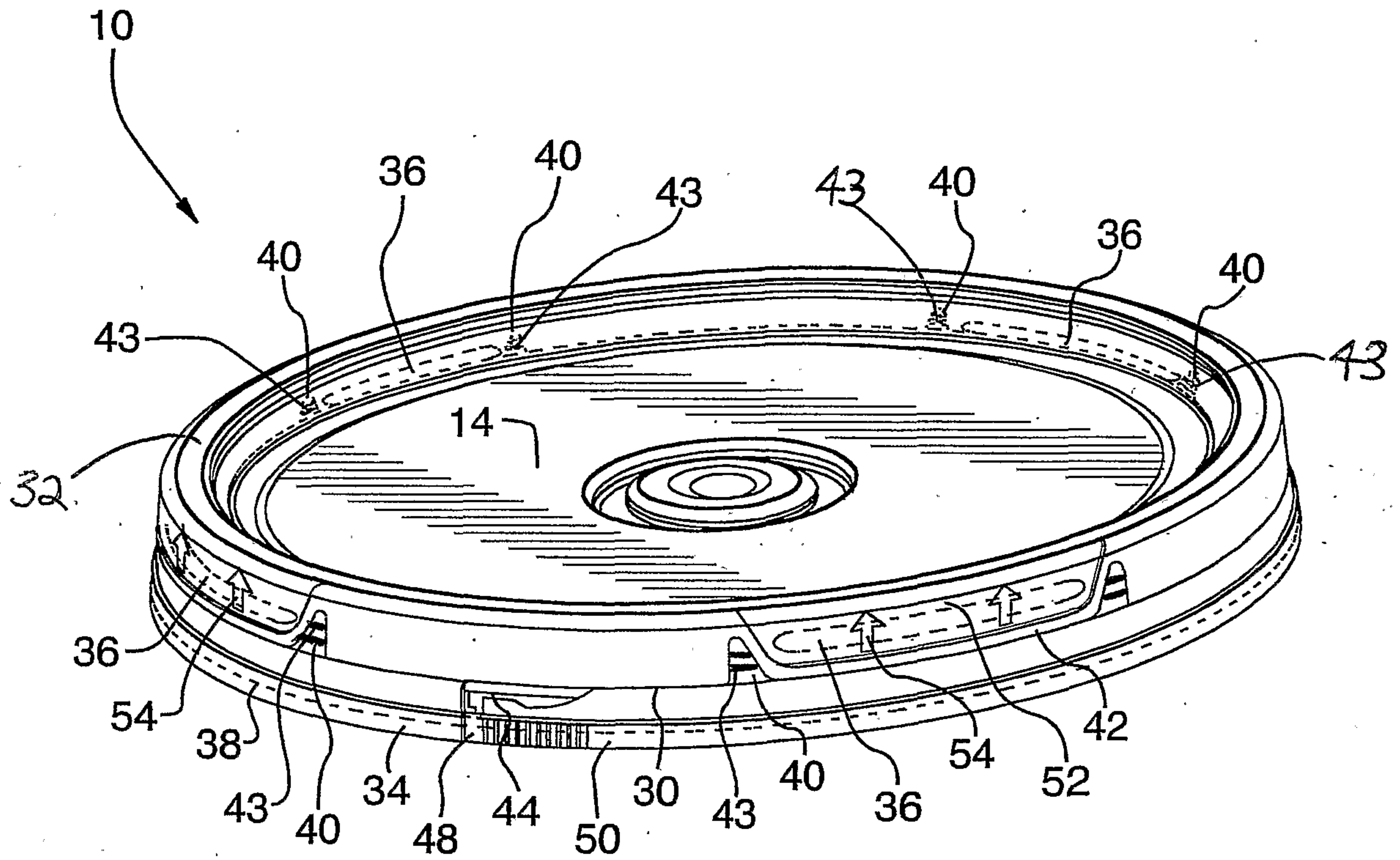


FIG.10A

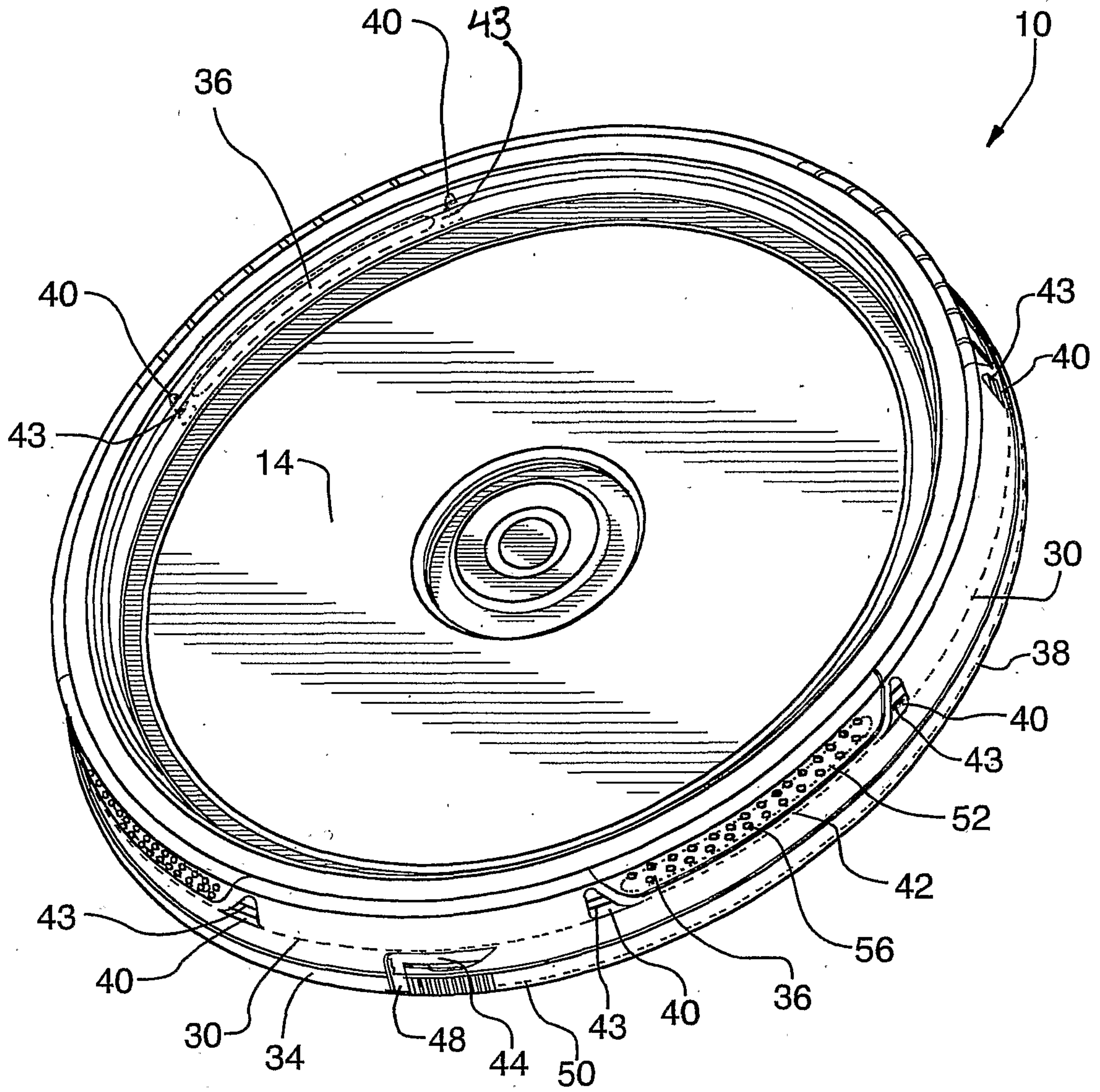


FIG.10B

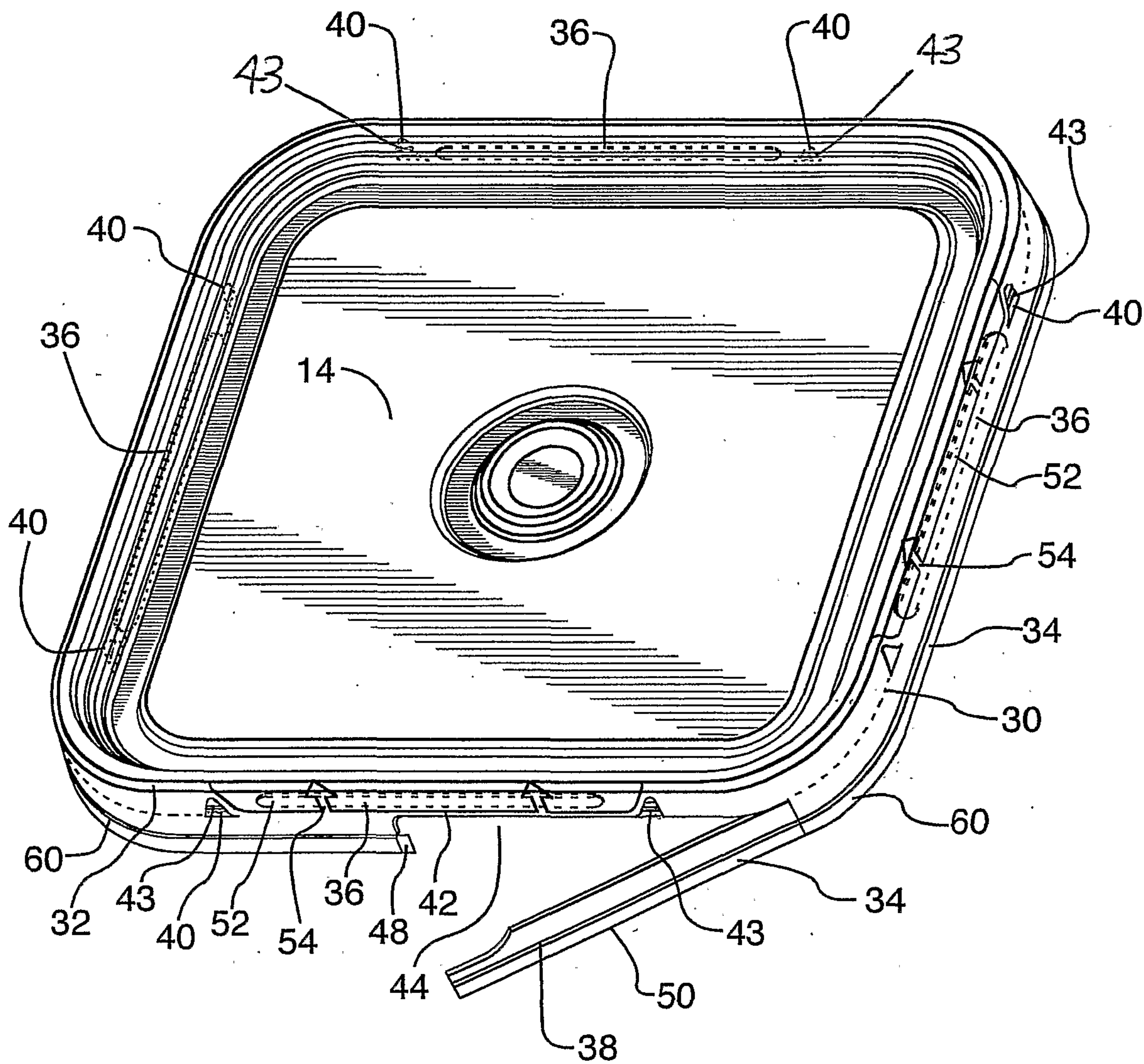


FIG.11

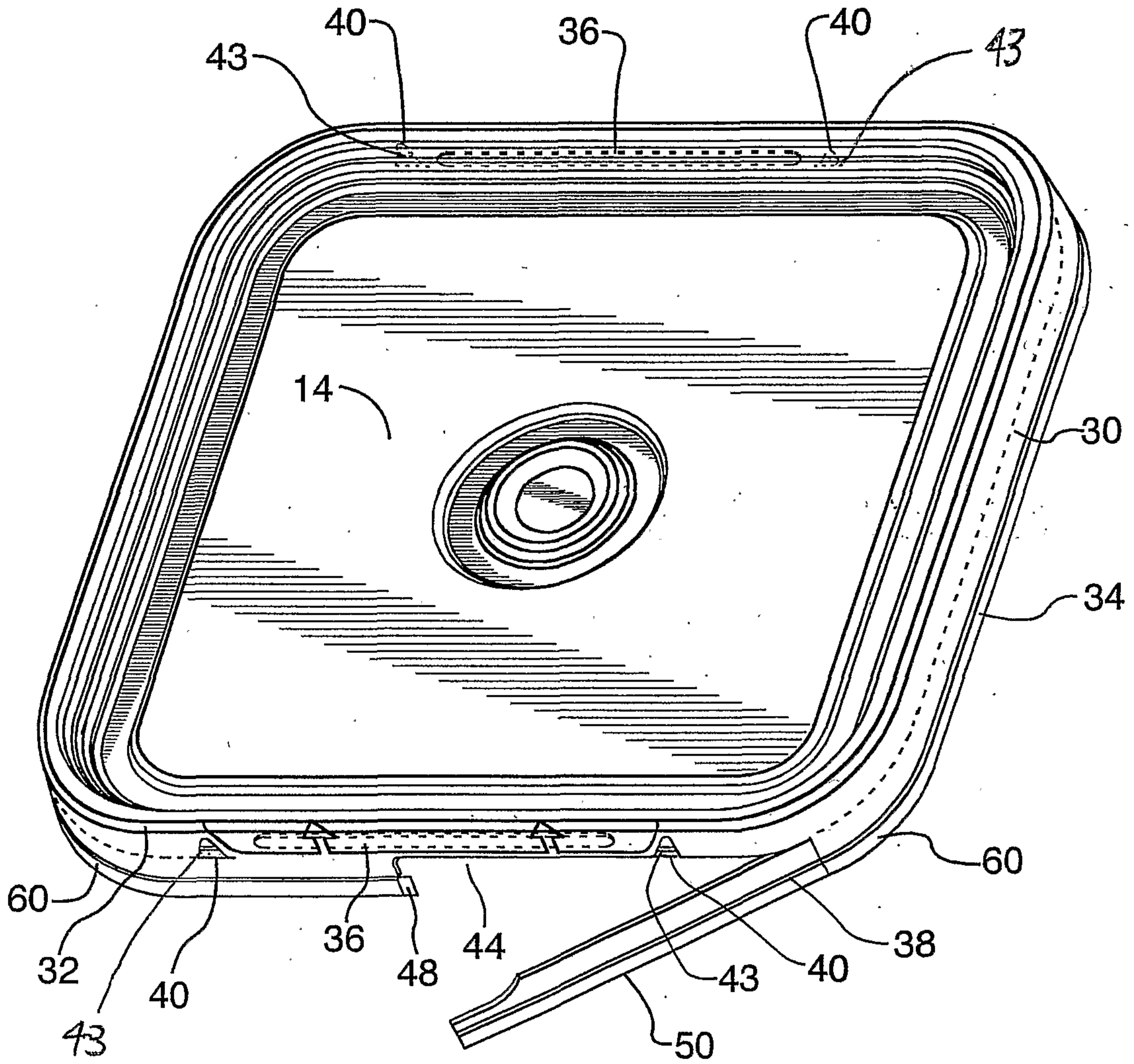


FIG.12

