

# United States Patent [19]

Gemmani

[11] Patent Number: Des. 301,040

[45] Date of Patent: \*\* May 9, 1989

[54] COMBINED MILLING MACHINE SUPPORT AND CONTROLLER

[75] Inventor: Giuseppe Gemmani, Rimini, Italy

[73] Assignee: SCM S.p.A., Italy

[\*\*] Term: 14 Years

[21] Appl. No.: 942,592

[22] Filed: Dec. 16, 1986

[30] Foreign Application Priority Data

Jul. 4, 1986 [IT] Italy ..... 4923/86[U]

[52] U.S. Cl. .... D15/131; D15/141

[58] Field of Search ..... D15/131, 127, 141; 409/64, 80, 206, 219, 235

[56] References Cited

U.S. PATENT DOCUMENTS

D. 255,243 6/1980 Roch ..... D15/131

D. 267,720 1/1983 Lawson ..... D15/127  
D. 285,084 8/1986 Aldridge, Jr. .... D15/131  
D. 286,294 10/1986 Itoh ..... D15/131  
D. 292,589 11/1987 Roch et al. .... D15/131  
4,621,407 11/1986 Suzuki ..... 409/235

Primary Examiner—B. J. Bullock  
Attorney, Agent, or Firm—Darby & Darby

[57] CLAIM

The ornamental design for a combined milling machine support and controller, as shown and described.

## DESCRIPTION

FIG. 1 is a front elevational view of the combined milling machine support and controller, embodying my new design.

FIG. 2 is a left side elevational view thereof.

FIG. 3 is a right side elevational view thereof.

FIG. 4 is a rear elevational view thereof.

FIG. 5 is a top plan view thereof.

FIG. 6 is a left front perspective view thereof.

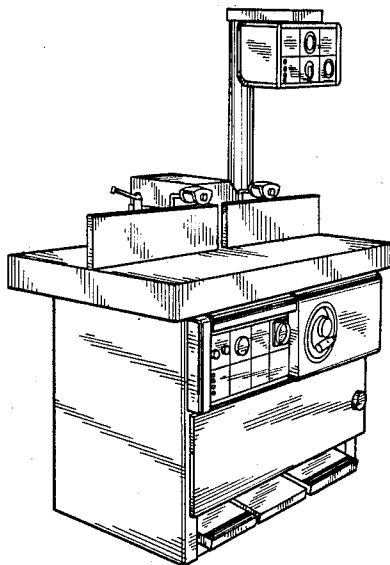


FIG. 1

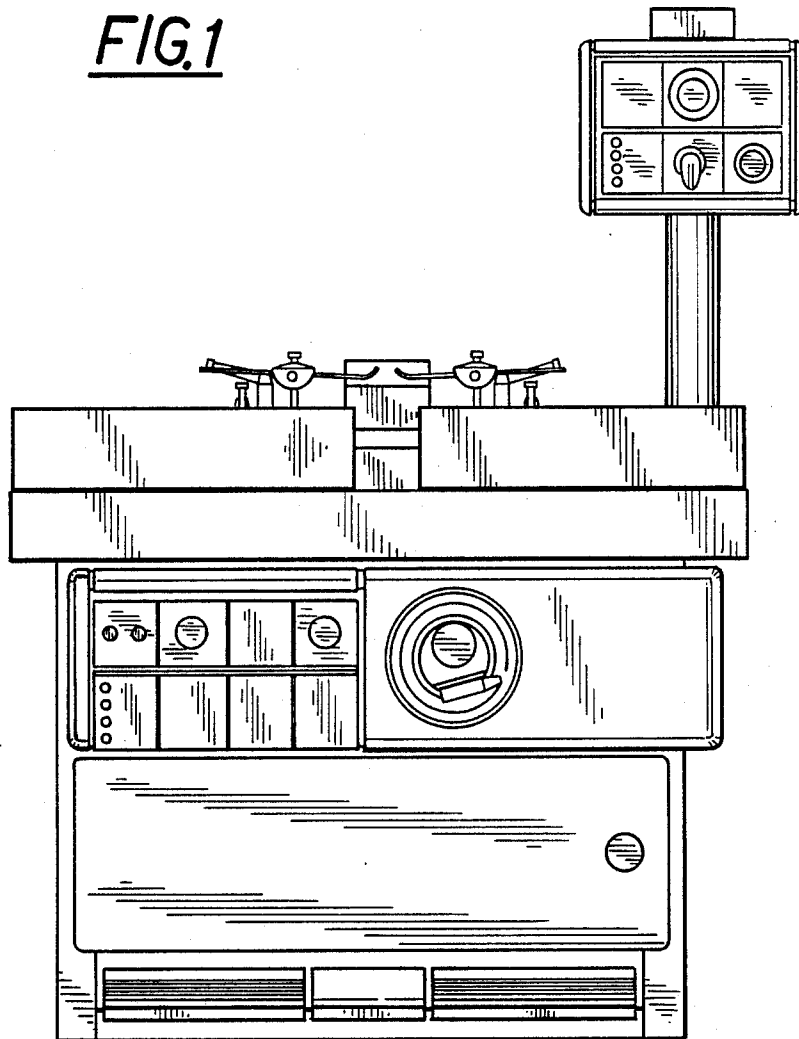


FIG. 2

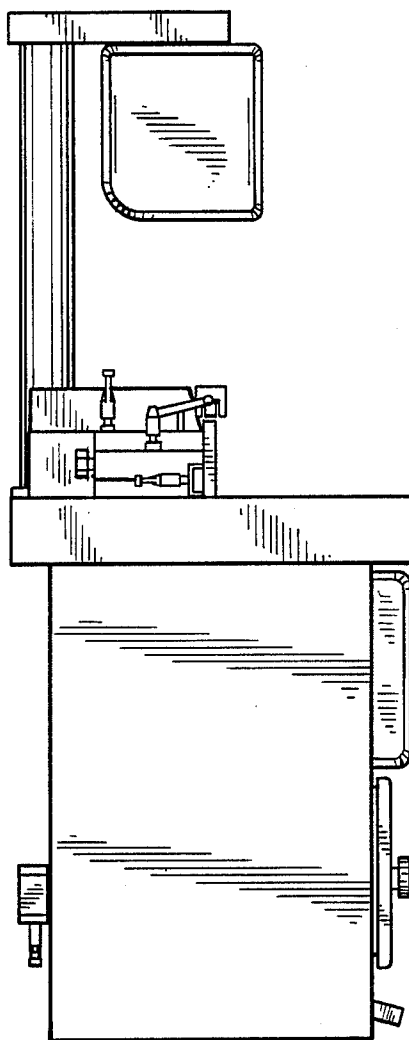


FIG. 3

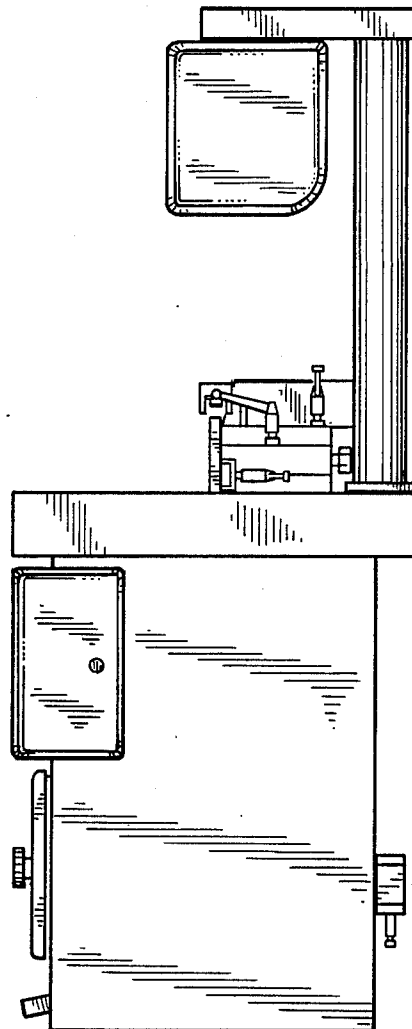
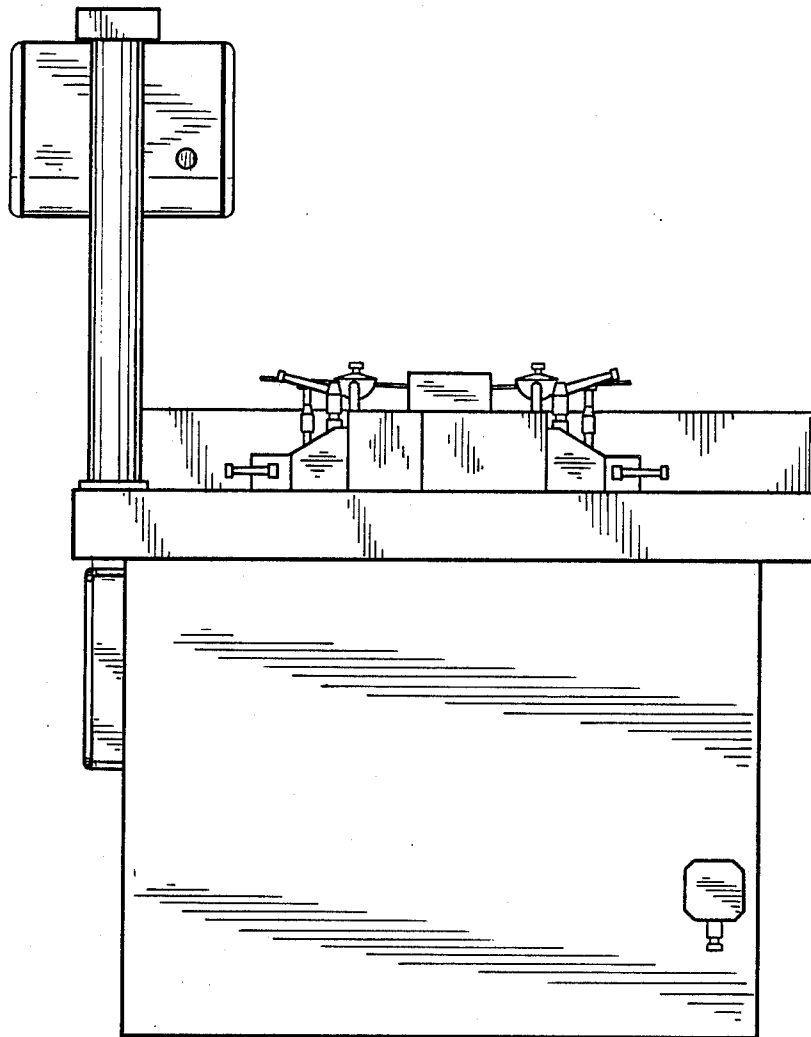


FIG. 4



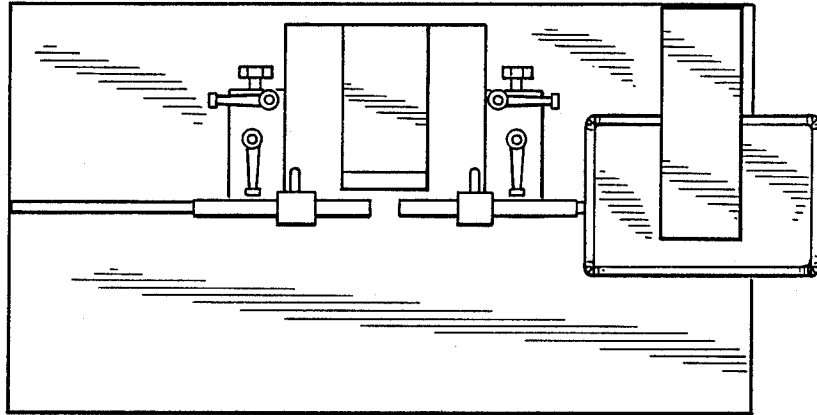


FIG.5

FIG. 6

