



US00D566389S

(12) **United States Design Patent**
Conway

(10) **Patent No.:** **US D566,389 S**

(45) **Date of Patent:** **** Apr. 15, 2008**

(54) **CASE**

(75) **Inventor:** **Gary Roy Conway, Cobham (GB)**

(73) **Assignee:** **Rainbow Bright Enterprise Ltd.,
Tsimshatsui, Kowloon (HK)**

(**) **Term:** **14 Years**

(21) **Appl. No.:** **29/252,807**

(22) **Filed:** **Jan. 27, 2006**

(51) **LOC (8) Cl.** **03-01**

(52) **U.S. Cl.** **D3/266**

(58) **Field of Classification Search** D3/219,
D3/263, 265-266, 294, 903; D28/76, 85;
206/5, 6

See application file for complete search history.

(56) **References Cited**

U.S. PATENT DOCUMENTS

2,351,447	A	*	6/1944	Nathan	206/5
D205,421	S	*	8/1966	Hueber et al.	D3/265
D235,080	S	*	5/1975	Nathan	D3/206
D251,084	S	*	2/1979	Marks	D3/265
D271,000	S	*	10/1983	Rimer	D9/420
D285,128	S	*	8/1986	Yuen	D28/85

D292,635	S	*	11/1987	McCormack et al.	D99/1
D472,377	S	*	4/2003	Tabacchi	D3/265
D485,680	S	*	1/2004	Hasenfrantz	D3/265
D516,312	S	*	3/2006	Chan	D3/294

* cited by examiner

Primary Examiner—Ian Simmons

Assistant Examiner—Anna J Burmeister

(74) *Attorney, Agent, or Firm*—Faegre & Benson, LLP

(57) **CLAIM**

The ornamental design for case, as shown.

DESCRIPTION

FIG. 1 is a front elevational view of an case according to our claimed design;

FIG. 2 is a rear elevational view thereof;

FIG. 3 is a right side elevational view thereof;

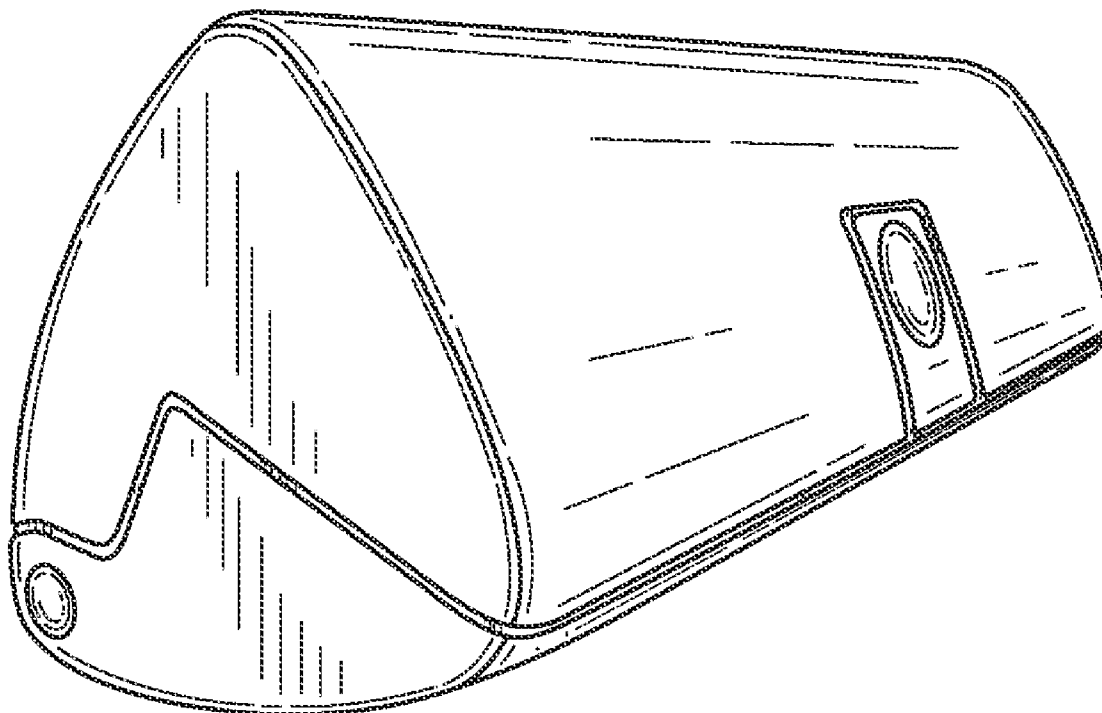
FIG. 4 is a left side elevational view thereof;

FIG. 5 is a top plan left side elevational view thereof;

FIG. 6 is a bottom plan view thereof; and,

FIG. 7 is a bottom and right side perspective thereof.

1 Claim, 3 Drawing Sheets



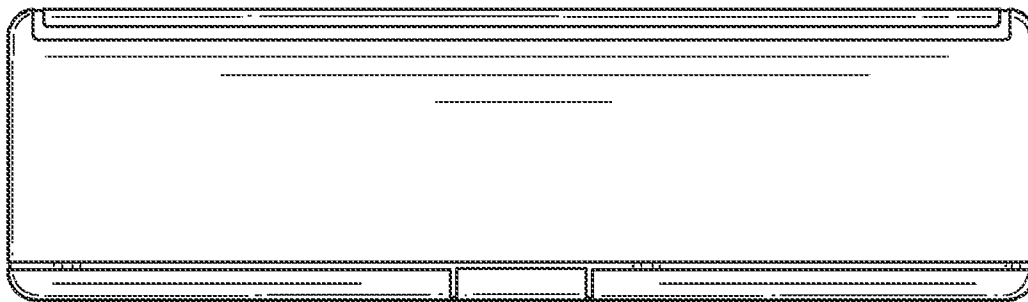


FIG.1

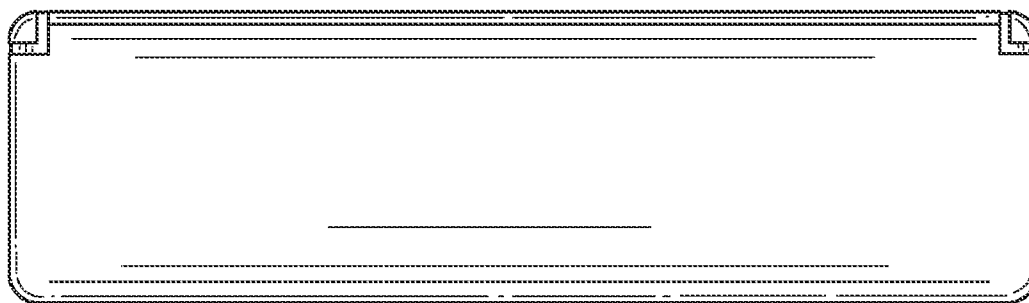


FIG.2

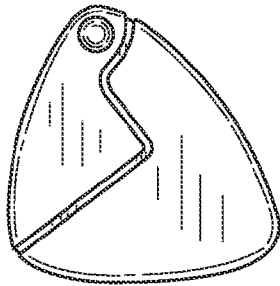


FIG. 3

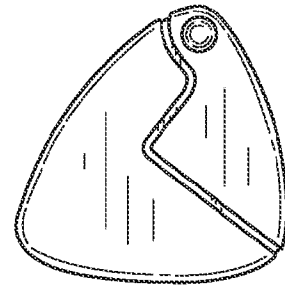


FIG. 4

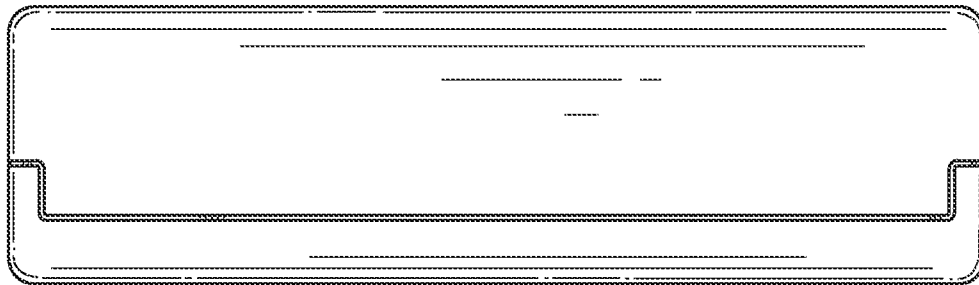


FIG. 5

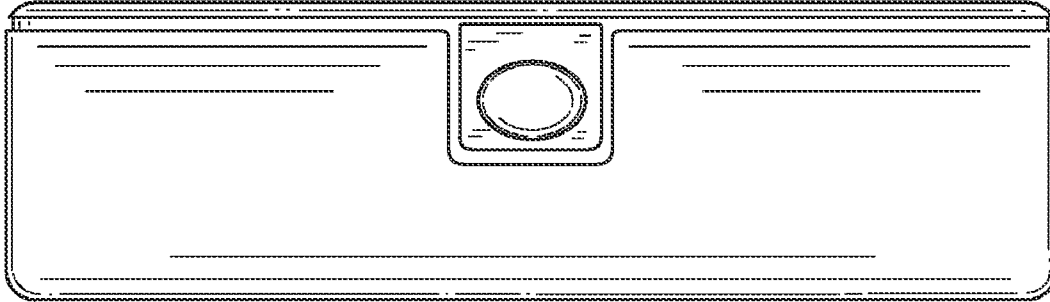


FIG. 6

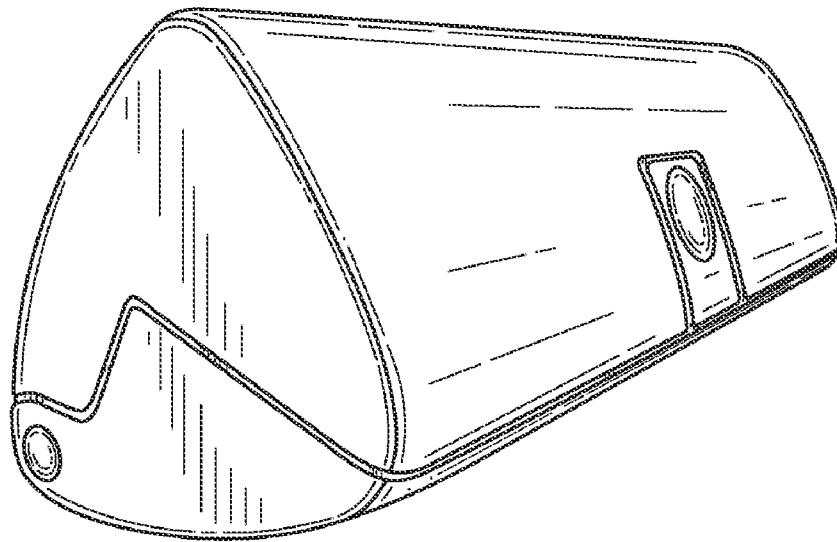


FIG. 7