



US00D716486S

(12) **United States Design Patent**  
**Martin**

(10) **Patent No.:** **US D716,486 S**

(45) **Date of Patent:** **\*\* Oct. 28, 2014**

(54) **LAMP**

(71) Applicant: **Hubbardton Forge LLC**, Castleton, VT (US)

(72) Inventor: **David Martin**, Brandon, VT (US)

(73) Assignee: **Hubbardton Forge, LLC**, Castleton, VT (US)

(\*\*) Term: **14 Years**

(21) Appl. No.: **29/470,716**

(22) Filed: **Oct. 24, 2013**

(51) **LOC (10) Cl.** ..... **26-03**

(52) **U.S. Cl.**  
USPC ..... **D26/88; D26/141**

(58) **Field of Classification Search**  
USPC ..... D26/72, 80, 81, 82, 83, 84, 88, 90, 91,  
D26/118, 128, 138, 140, 141, 142, 155;  
362/147, 404-408  
See application file for complete search history.

(56) **References Cited**

U.S. PATENT DOCUMENTS

D78,532 S *	5/1929	Salterini	.....	D26/140
D430,330 S *	8/2000	Hammar	.....	D26/88
D472,008 S *	3/2003	Gulassa et al.	.....	D26/90
D522,167 S *	5/2006	Bayer	.....	D26/142
D560,029 S *	1/2008	Miranda	.....	D26/155

D591,443 S *	4/2009	Beno et al.	.....	D26/88
D591,444 S *	4/2009	Beno et al.	.....	D26/88
D605,810 S *	12/2009	Rugee	.....	D26/84
D651,736 S *	1/2012	McGowan	.....	D26/84
D666,760 S *	9/2012	Arola Ferrer	.....	D26/84
D697,251 S *	1/2014	Baylar	.....	D26/88
D697,252 S *	1/2014	Baylar	.....	D26/88
D700,988 S *	3/2014	Koho	.....	D26/88
D700,989 S *	3/2014	Rampolla et al.	.....	D26/90
D703,859 S *	4/2014	Sabernig	.....	D26/83
D703,866 S *	4/2014	Schuyler	.....	D26/142

\* cited by examiner

*Primary Examiner* — Clare E Heflin

(74) *Attorney, Agent, or Firm* — Bourque and Associates, PA

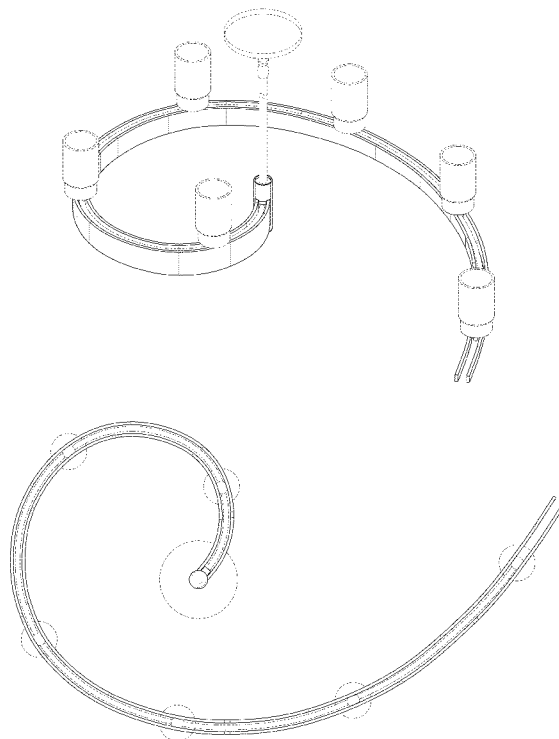
(57) **CLAIM**

The ornamental design for a lamp, as shown and described.

**DESCRIPTION**

FIG. 1 is a perspective view of the lamp according to the present invention;  
FIG. 2 is a front view of the lamp thereof;  
FIG. 3 is a back view of the lamp thereof;  
FIG. 4 is a right view of the lamp thereof;  
FIG. 5 is a left view of the lamp thereof;  
FIG. 6 is a top view of the lamp thereof; and,  
FIG. 7 is a bottom view of the lamp thereof.  
The broken lines shown on the drawings depict portions of the lamp that form no part of the claimed design.

**1 Claim, 7 Drawing Sheets**



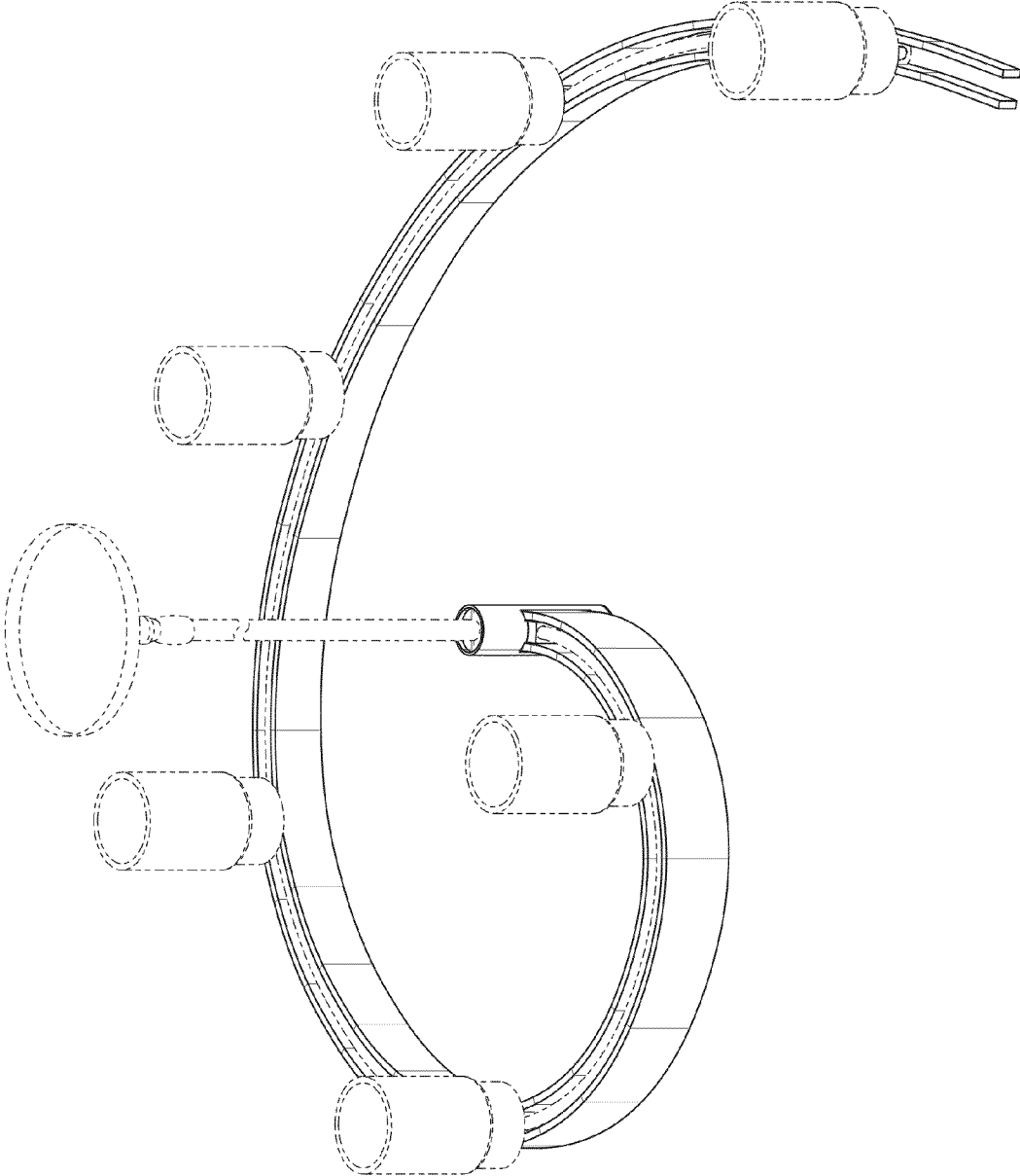


FIG. 1

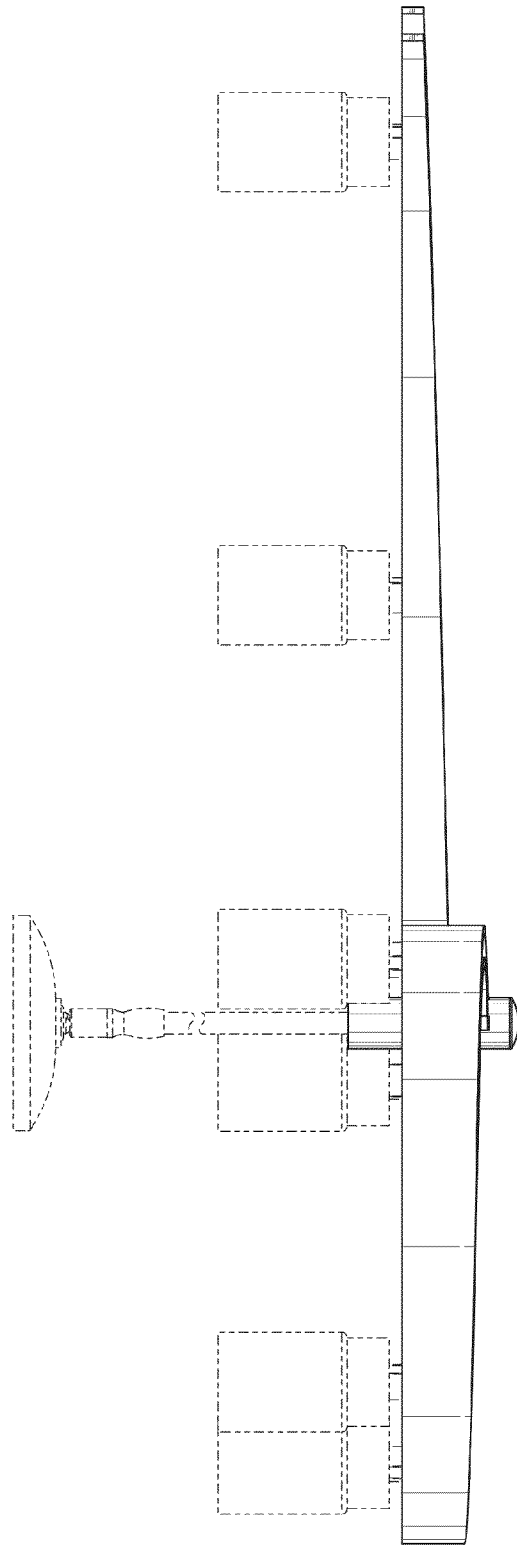


FIG. 2

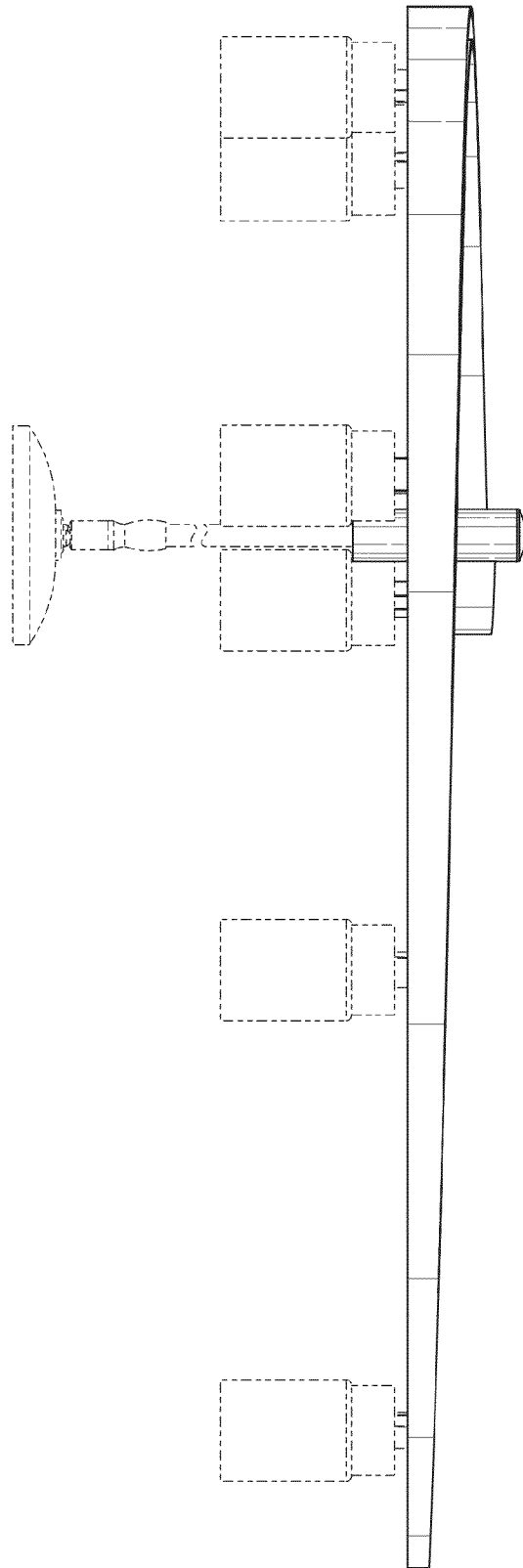


FIG. 3



FIG. 4

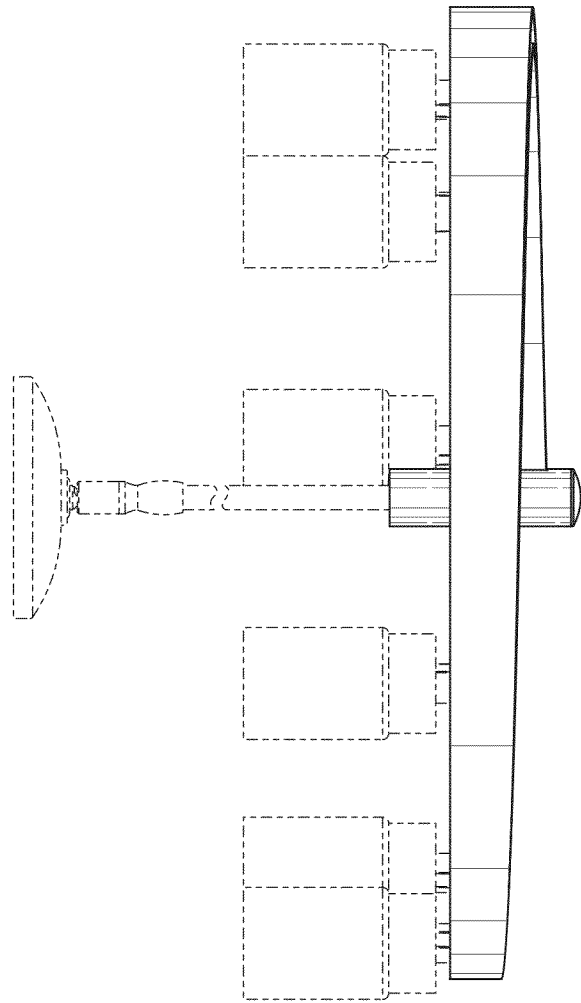


FIG. 5

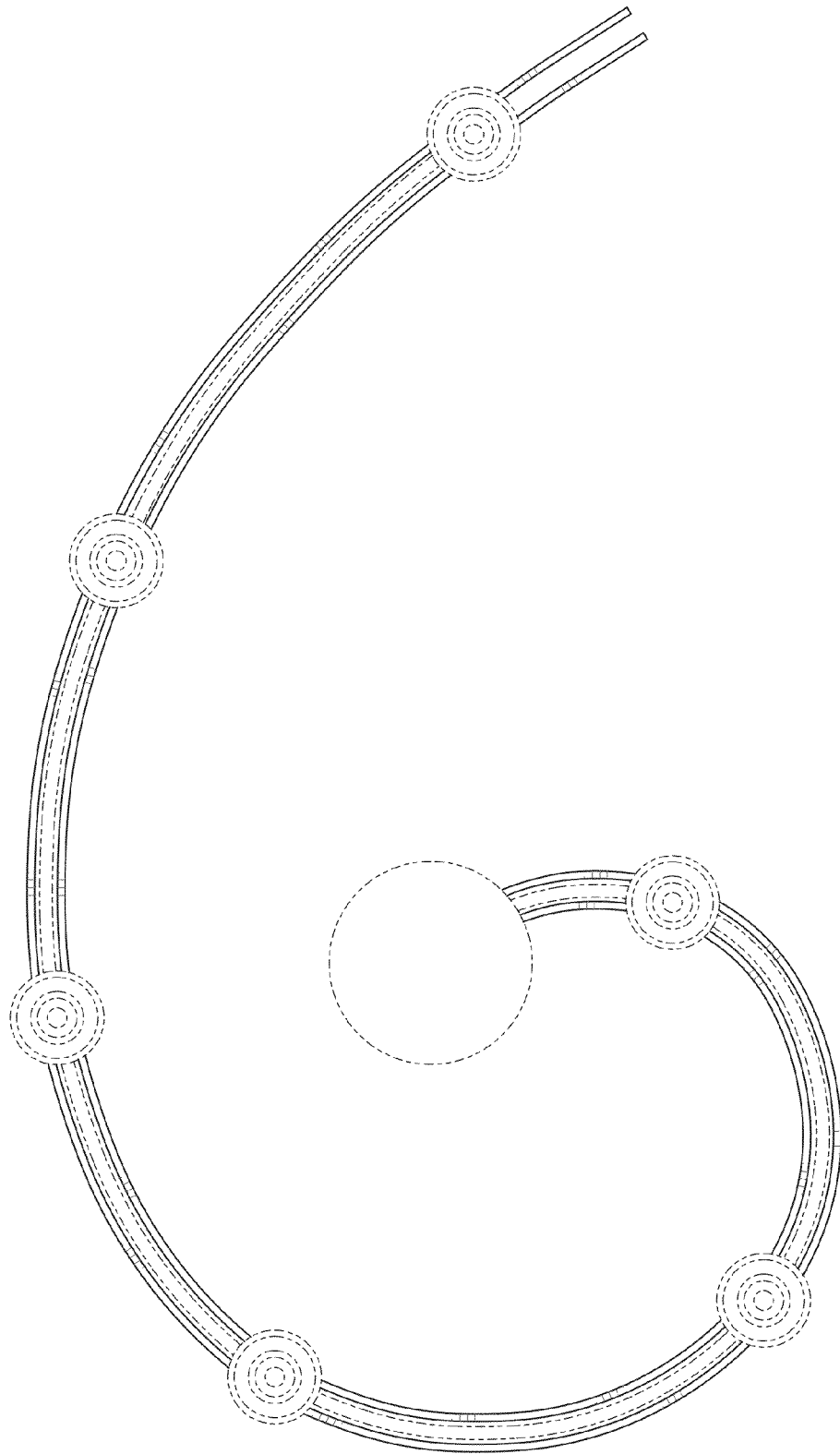


FIG. 6

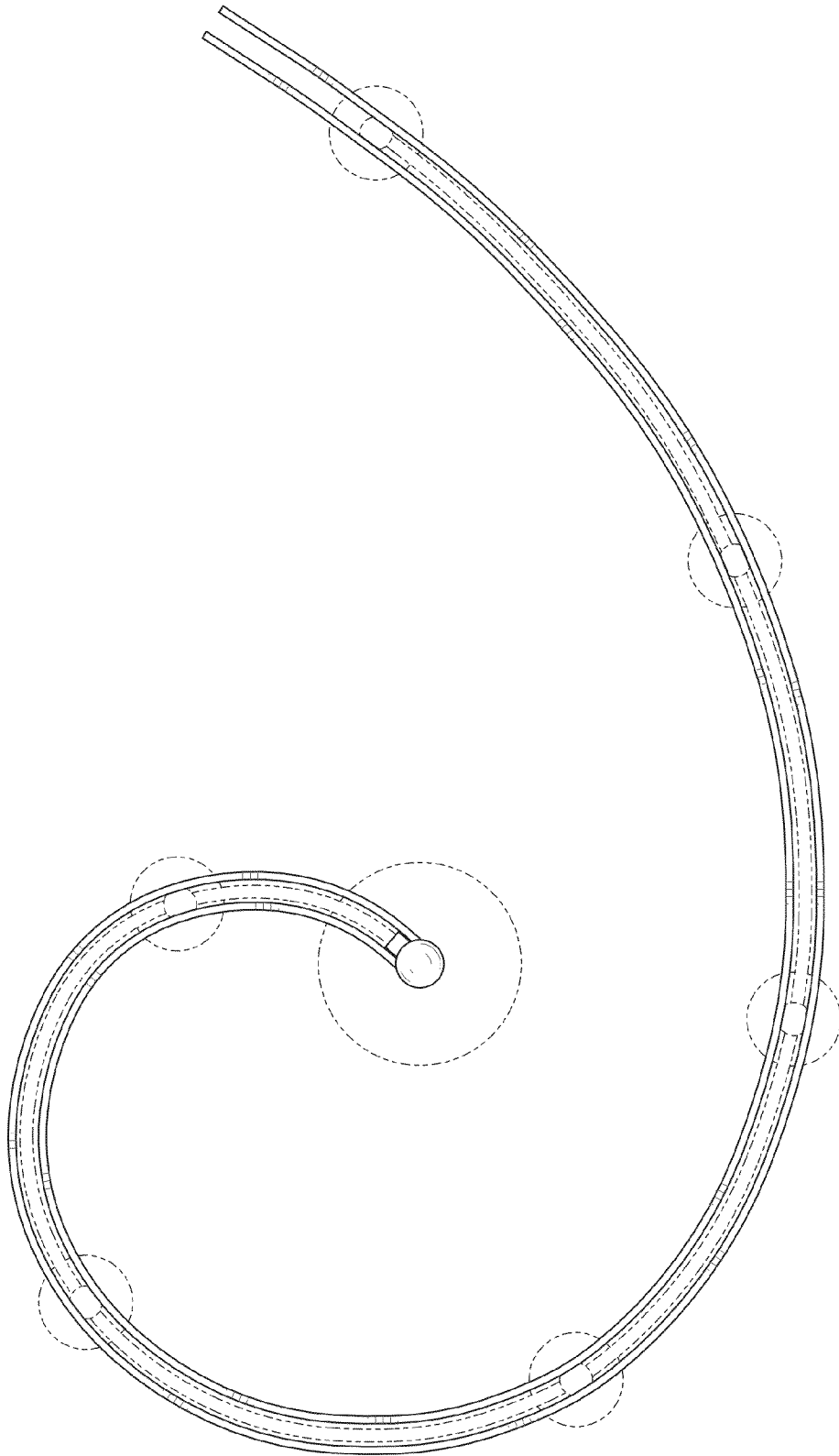


FIG. 7