



US00D723865S

(12) **United States Design Patent**
Lapsker

(10) **Patent No.:** **US D723,865 S**

(45) **Date of Patent:** **** Mar. 10, 2015**

(54) **BEVERAGEWARE LID WITH ELASTOMERIC RING**

D587,570 S * 3/2009 Trayser D9/434
D623,550 S * 9/2010 Weber D11/3
D694,107 S * 11/2013 Didio D9/434

(71) Applicant: **Starline Global Inc.**, Bridgetown (BB)

* cited by examiner

(72) Inventor: **Ron Lapsker**, Bridgetown (BB)

Primary Examiner — Susan Bennett Hattan

(73) Assignee: **Starline Global Inc.**, Bridgetown (BB)

Assistant Examiner — Leanne Was

(**) Term: **14 Years**

(74) *Attorney, Agent, or Firm* — Hodgson Russ LLP

(21) Appl. No.: **29/476,822**

(57) **CLAIM**

The ornamental design for a beverageware lid with elastomeric ring, as shown and described.

(22) Filed: **Dec. 17, 2013**

DESCRIPTION

(51) **LOC (10) Cl.** **07-01**

FIG. 1 is a rear perspective view of the beverageware lid with elastomeric ring showing my new design;

(52) **U.S. Cl.**

FIG. 2 is a rear perspective view thereof;

USPC **D7/392.1**

FIG. 3 is a rear perspective view thereof, the elastomeric strap being removed therefrom;

(58) **Field of Classification Search**

USPC D7/300, 300.1, 387, 392.1, 396.1, D7/396.2, 396.5, 511, 629; D9/419, 434, D9/435, 436, 438, 443, 444, 530, 569, 570, D9/715, 719, 740; D11/1-5; D20/22; 40/665; 63/3, 5.1, 15.45; 206/409, 427, 206/428; 215/261, 352; 220/737, 739; 221/63

FIG. 4 is a front view thereof;

FIG. 5 is a rear view thereof;

FIG. 6 is a right side view thereof, the left side being a mirror image;

FIG. 7 is a right-side partial cut-away view thereof;

FIG. 8 is a top view thereof; and,

FIG. 9 is a bottom view thereof.

See application file for complete search history.

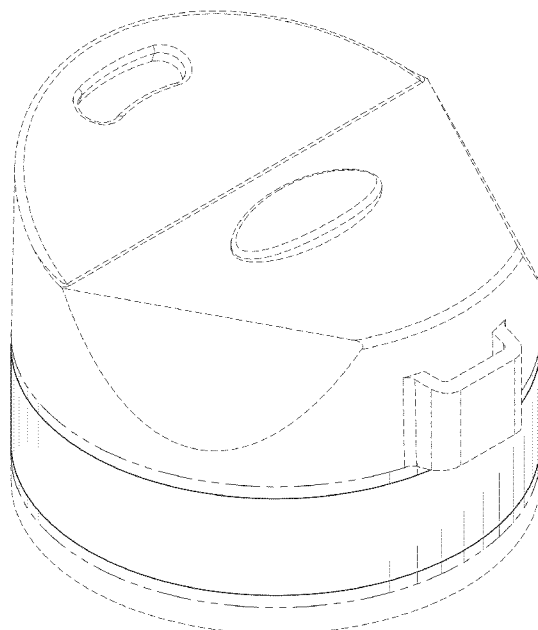
The dash-dash-long dash lines represent boundaries of the claimed design. The dash-dash broken lines and unshaded surfaces bounded by broken lines form no part of the claimed design. The dash-long dash line represents a cut-away portion that forms no part of the claimed design.

(56) **References Cited**

U.S. PATENT DOCUMENTS

D381,046 S * 7/1997 Hiers et al. D20/22
D533,774 S * 12/2006 Harper D9/434

1 Claim, 9 Drawing Sheets



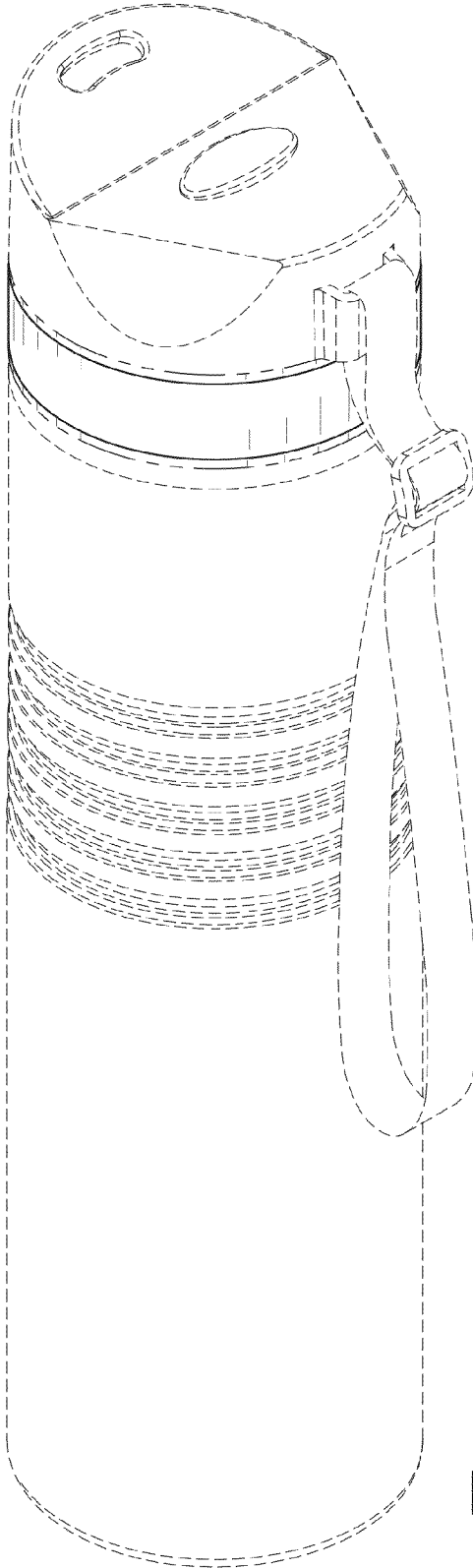


FIG. 1

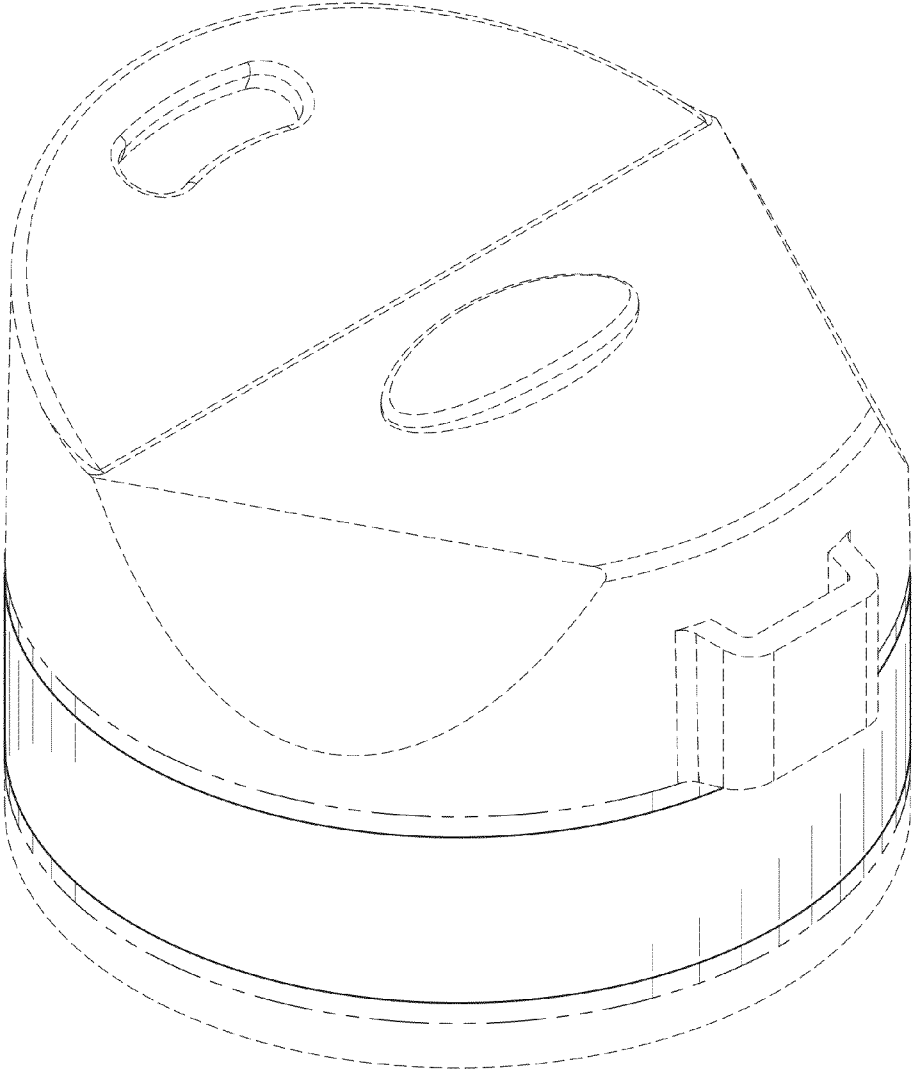


FIG. 2

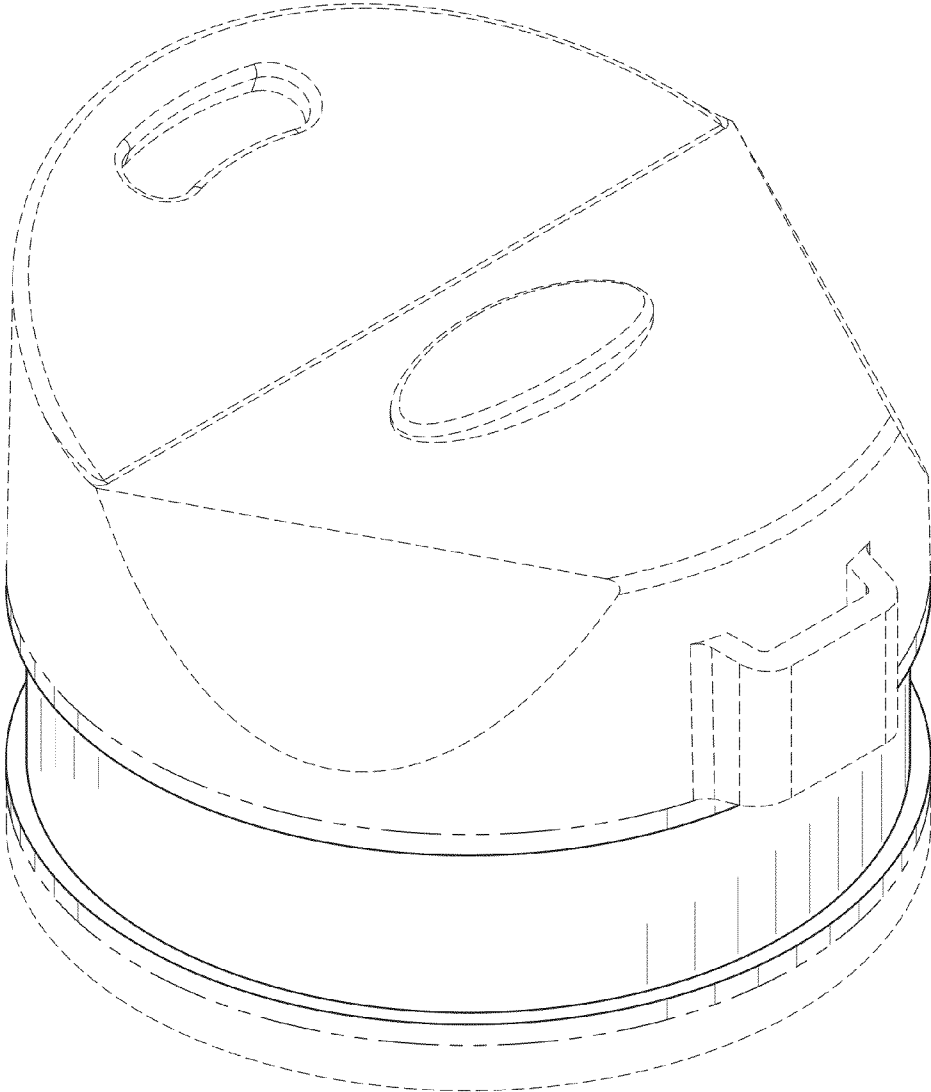


FIG. 3

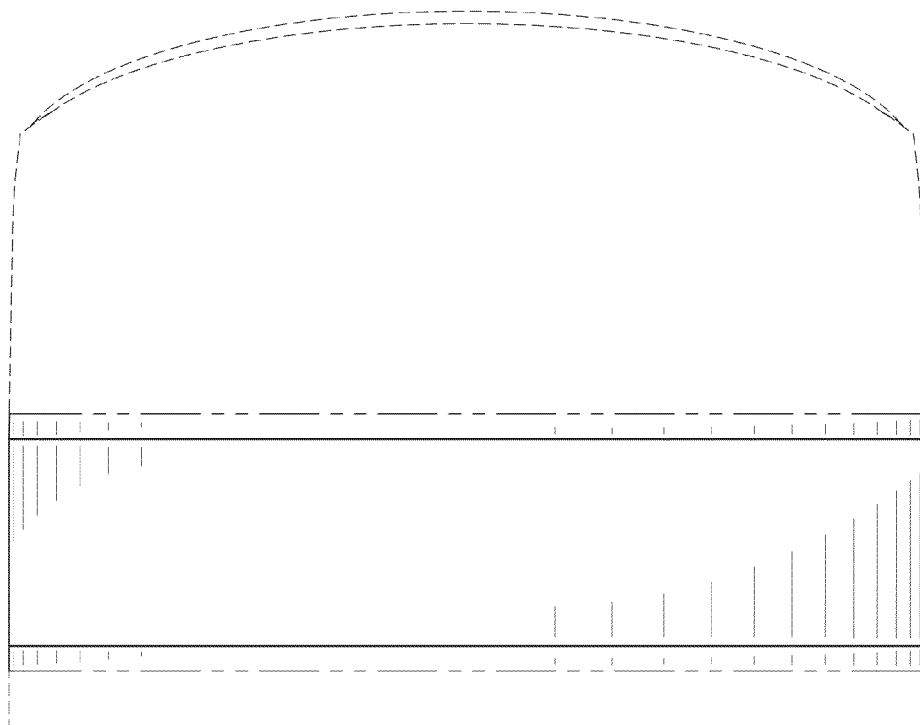


FIG. 4

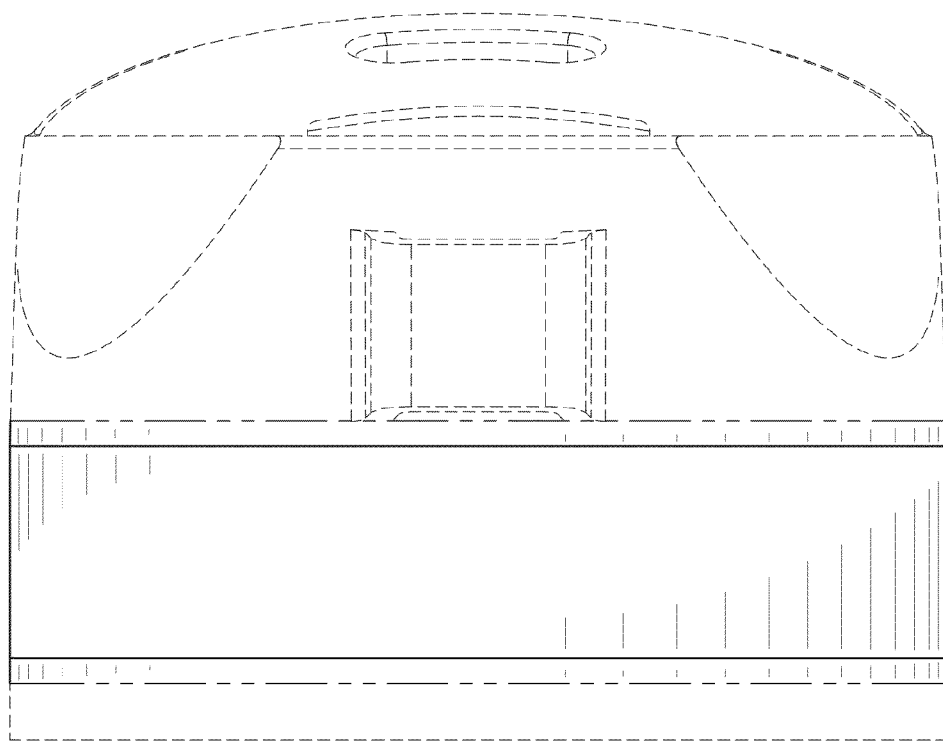


FIG. 5

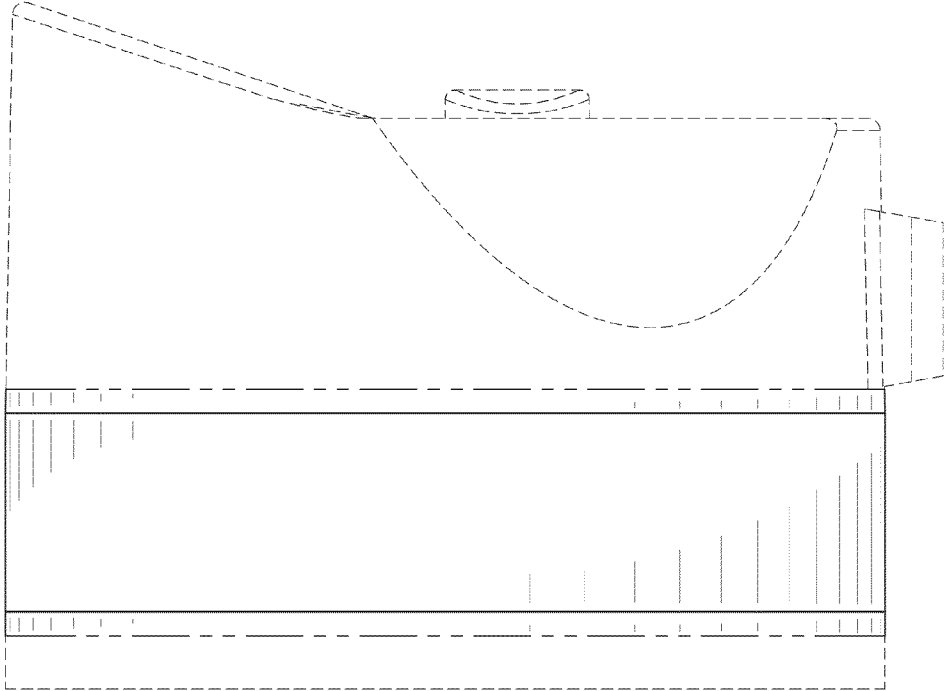


FIG. 6

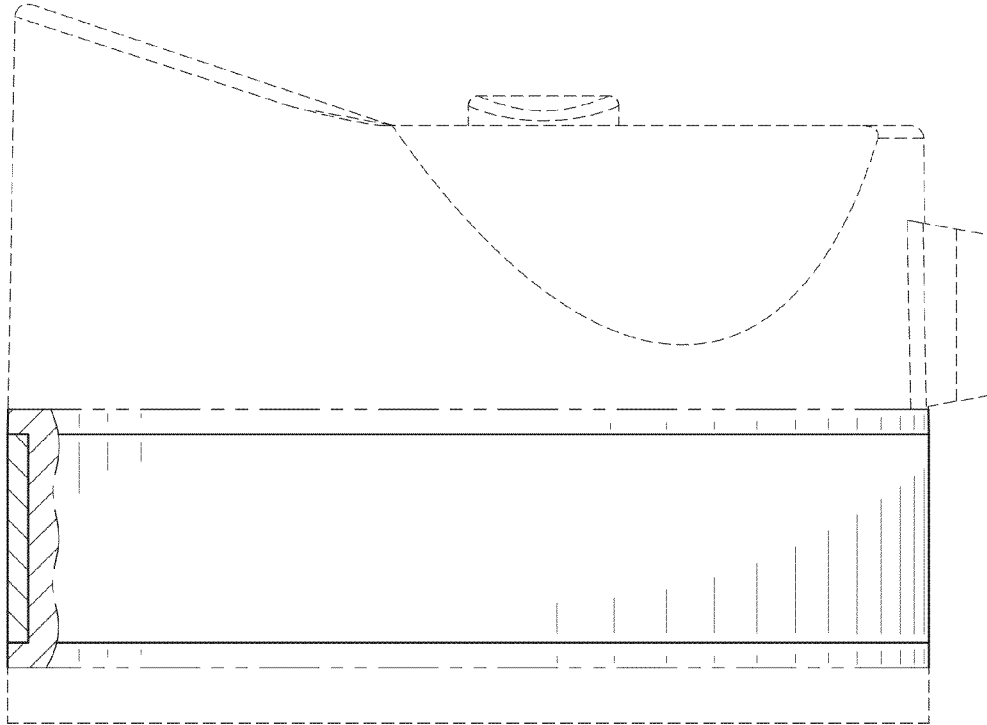


FIG. 7

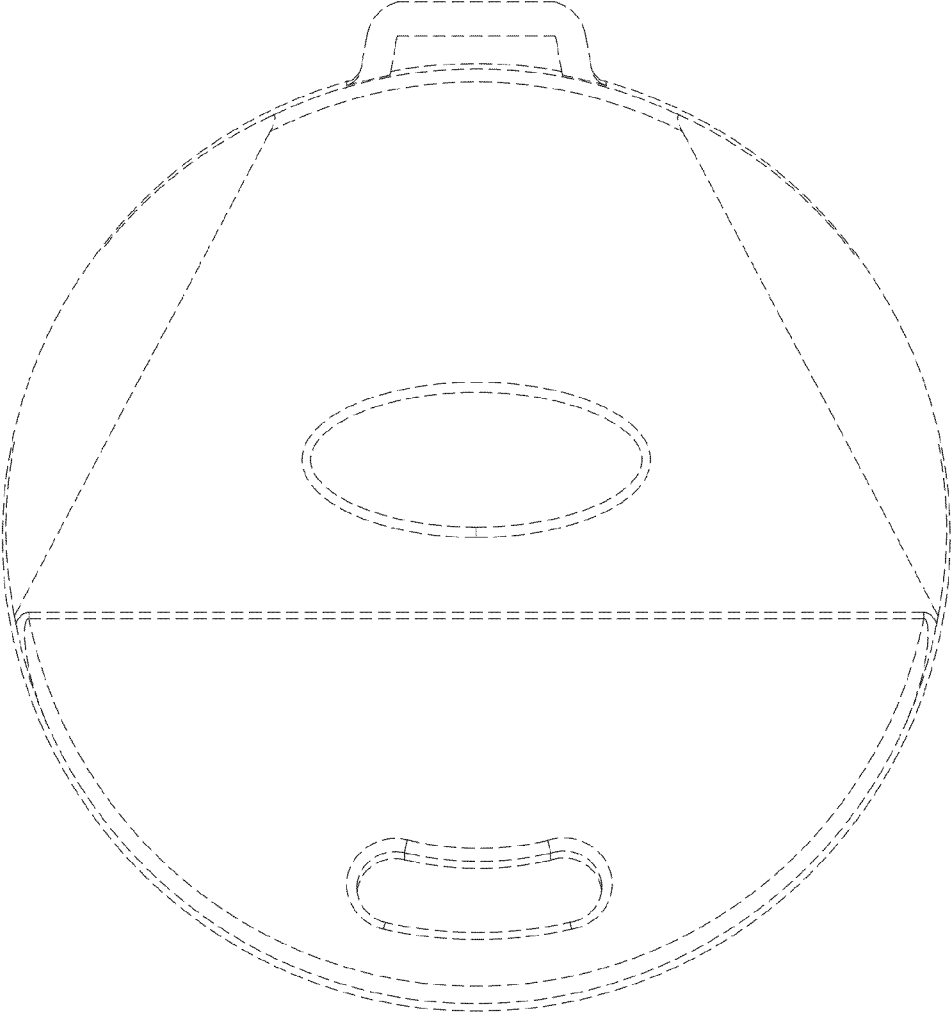


FIG. 8

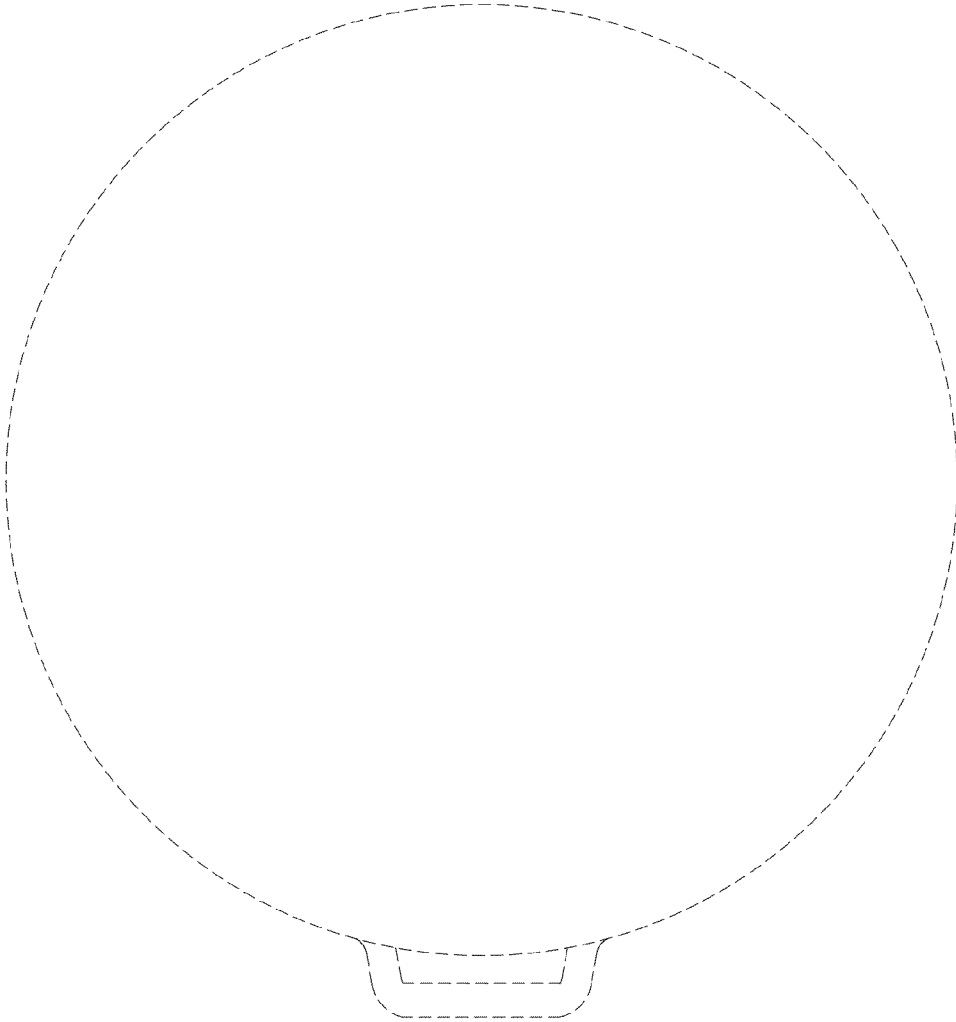


FIG. 9