



US00D344063S

United States Patent [19]

[11] Patent Number: Des. 344,063

Letarte et al.

[45] Date of Patent: ** Feb. 8, 1994

[54] INSULATOR FOR AN ELECTRIC FENCE

[75] Inventors: **Lucien Letarte,**
Notre-Dame-des-Prairies; **Roméo**
Boyer, Verdun, both of Canada

[73] Assignee: **Financière Inter-Plus Inc.,**
Longueuil, Canada

[**] Term: **14 Years**

[21] Appl. No.: **645,271**

[22] Filed: **Jan. 22, 1991**

[52] U.S. Cl. **D13/131**

[58] Field of Search **174/40 R, 45 R, 146,**
174/147, 154, 158 R, 158 F, 161 F, 168, 174,
175; 256/10, 11; D13/129, 131, 132

[56] **References Cited**

U.S. PATENT DOCUMENTS

D. 185,959	8/1959	Schroeder	D13/184
D. 209,054	10/1967	Braiman et al.	D13/125
346,972	8/1886	Wilson	174/168
556,194	3/1896	Meaher	256/54 X
664,176	12/1900	Risler	256/54 X
726,846	5/1903	Bell	256/54 X
770,962	9/1904	Gill	174/168
831,338	9/1906	Glick	174/175
879,033	2/1908	Caldwell	174/174 X
894,616	7/1908	Fay	174/168
919,386	4/1909	Schaub	256/54 X
965,723	7/1910	Malthener	256/54 X
1,530,298	3/1925	Chambless et al.	174/174 X
2,445,099	7/1948	Strauss et al.	174/45 G
2,870,242	1/1959	Wilkerson	174/48 X
2,947,885	8/1960	Muller	256/10 X
3,246,076	4/1966	Stoneburner	256/54 X

3,366,854	1/1968	Robinson	256/10 X
3,370,834	2/1968	Reznicek	256/10
3,531,888	10/1970	Wells et al.	43/21.2
3,999,339	12/1976	Sappenfield	52/717
4,580,767	4/1986	Zimmerman	D13/153 X

FOREIGN PATENT DOCUMENTS

493110	5/1953	Canada	256/48
56798	1/1891	Fed. Rep. of Germany	411/55
824358	8/1949	Fed. Rep. of Germany	174/174
2328618	1/1975	Fed. Rep. of Germany	174/168
2458317	6/1976	Fed. Rep. of Germany	411/55
0219083	2/1985	Fed. Rep. of Germany ...	174/158 R
0259708	8/1988	Fed. Rep. of Germany ...	174/158 R
242115	8/1946	Switzerland	256/10
7775	of 1903	United Kingdom	411/55

OTHER PUBLICATIONS

FIG. 5 Insulator on p. 38 of HHSmith catalog 820, 1983. Flyaway, Avian Averting System, 519 I.H.30 Suite 250 Rockwall, Tex. 75087.

Primary Examiner—Wallace R. Burke

Assistant Examiner—Joel Sincavage

Attorney, Agent, or Firm—ROBIC

[57] CLAIM

The ornamental design for an insulator for an electric fence, as shown and described.

DESCRIPTION

FIG. 1 is a perspective view of an insulator for an electric fence showing our new design; FIG. 2 is a top plan view thereof; FIG. 3 is a bottom plan view thereof; FIG. 4 is a front elevational view thereof; and, FIG. 5 is a side elevational view thereof.

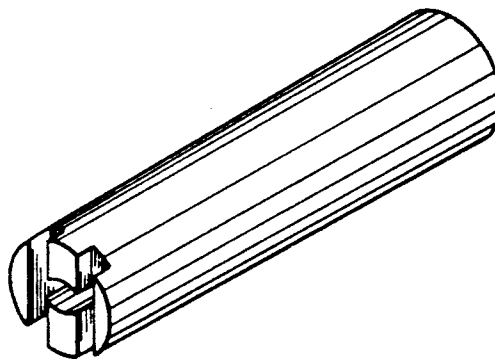


FIG. 1

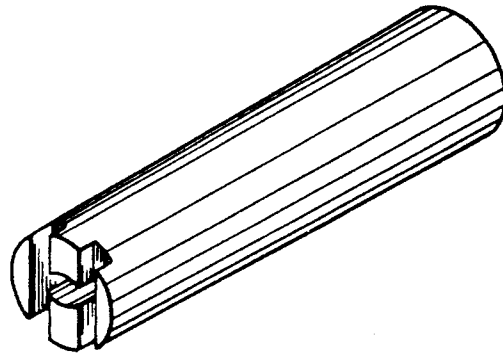


FIG. 2

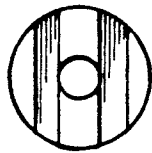


FIG. 3

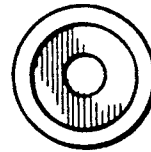


FIG. 4

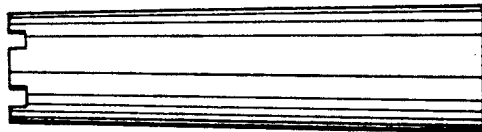


FIG. 5

