



US0D1040201S

(12) **United States Design Patent**
Fenu et al.

(10) **Patent No.:** **US D1,040,201 S**

(45) **Date of Patent:** **** Aug. 27, 2024**

(54) **COVER FOR A BEARING HOUSING**

(71) Applicants: **Marco Fenu**, Hawley, MN (US); **Lucas Hoffman**, Detroit Lakes, MN (US)

(72) Inventors: **Marco Fenu**, Hawley, MN (US); **Lucas Hoffman**, Detroit Lakes, MN (US)

(**) Term: **15 Years**

(21) Appl. No.: **29/832,478**

(22) Filed: **Mar. 28, 2022**

(51) **LOC (14) Cl.** **15-09**

(52) **U.S. Cl.**

USPC **D15/143**

(58) **Field of Classification Search**

USPC D15/5, 143

CPC .. F16H 57/0469; F16H 57/0471; F16C 19/00;

F16C 31/04; F16C 33/00; F16C 33/08;

F16C 33/30; F16C 33/547; F16C

33/4605; F16C 33/4682; F16C 33/6666

See application file for complete search history.

(56) **References Cited**

U.S. PATENT DOCUMENTS

| | | | | | |
|--------------|------|--------|----------|-------|--------------|
| D469,957 | S * | 2/2003 | Fajers | | D3/319 |
| D619,620 | S * | 7/2010 | Mayer | | D15/5 |
| D974,151 | S * | 1/2023 | Chen | | D8/354 |
| D974,153 | S * | 1/2023 | Chen | | D8/354 |
| D992,600 | S * | 7/2023 | Luo | | D15/5 |
| 11,867,234 | B1 * | 1/2024 | Fenu | | F16C 23/084 |
| 2016/0061259 | A1 * | 3/2016 | Kamamoto | | F16C 19/364 |
| | | | | | 384/470 |
| 2019/0170241 | A1 * | 6/2019 | Nakamura | | F16H 57/0483 |
| 2019/0285119 | A1 * | 9/2019 | Colson | | F16C 35/042 |

OTHER PUBLICATIONS

[Metal Plastic Spindle Bearing Flange Cover], available in Amazon.com, date first available Feb. 19, 2024 [online], [site visited Apr. 2,

2024], Available from the internet URL: https://www.amazon.com/Plastic-Spindle-Bearing-Replace-GWS6-100/dp/B0CVWZJB87/ref=sr_1_247 (Year: 2024).*

[Borg Warner BW1354 Transfer Case Bearing Housing], available in cobratransmission.com, unknown publication date [online], [site visited Apr. 2, 2024], Internet URL: <https://cobratransmission.com/bw1354-bearing-housing-55002087-1> (Year: 2024).*

[56C Protective Cover Kit], available in encoderoutlet.com, unknown publication date [online], [site visited Apr. 2, 2024], Internet URL: <https://www.encoderoutlet.com/product/56c-protective-cover-kit/> (Year: 2024).*

[HS400 Wet Clutch Engine Case], available in Amazon.com, unknown publication date [online], [site visited Apr. 2, 2024], Available from the internet URL: https://www.amazon.com/dp/B0CMP1LQLR/ref=spsa_dk_detail_1 (Year: 2024).*

* cited by examiner

Primary Examiner — Calvin E Vansant

Assistant Examiner — Kaitlyn G Wiltshire

(74) *Attorney, Agent, or Firm* — Hanrahan Law Firm, P.A.; Benjamin M. Hanrahan

(57) **CLAIM**

The ornamental design for a cover for a bearing housing, as shown and described.

DESCRIPTION

FIG. 1 is a top perspective view illustrating our design for a cover for a bearing housing.

FIG. 2 is a front view thereof.

FIG. 3 is a rear view thereof.

FIG. 4 is a top view thereof.

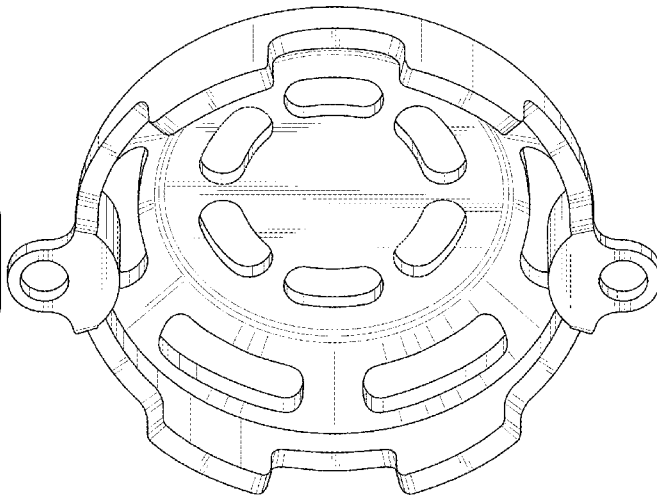
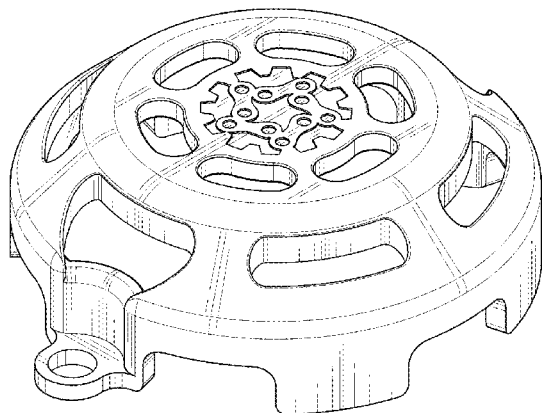
FIG. 5 is a bottom view thereof.

FIG. 6 is a left-side view thereof.

FIG. 7 is a right-side view thereof; and,

FIG. 8 is a bottom perspective view thereof.

1 Claim, 8 Drawing Sheets



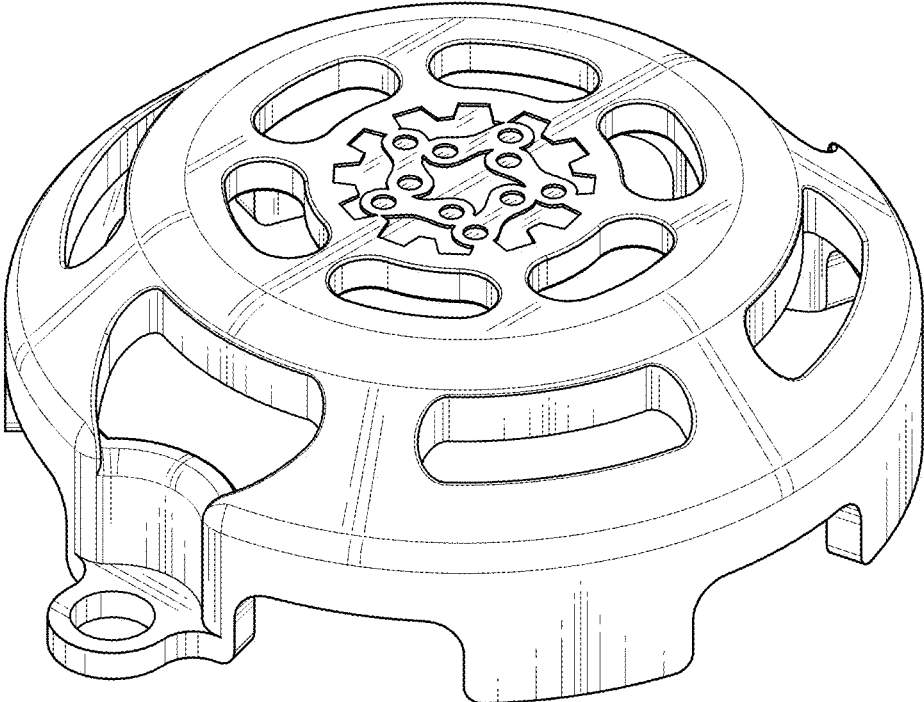


FIG. 1

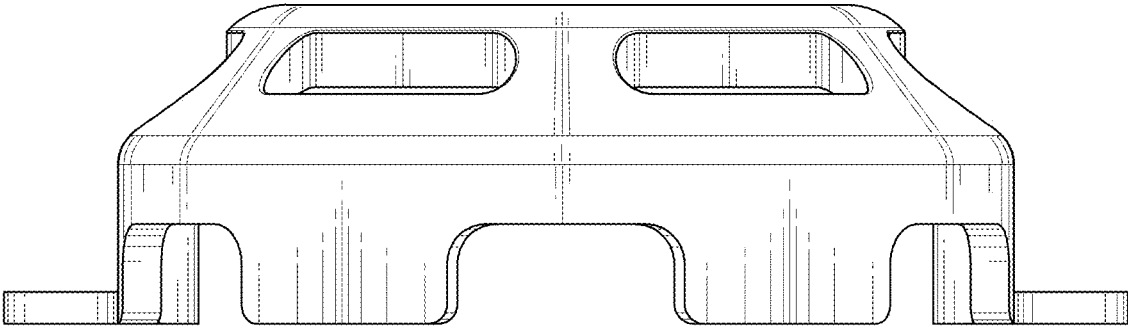


FIG. 2

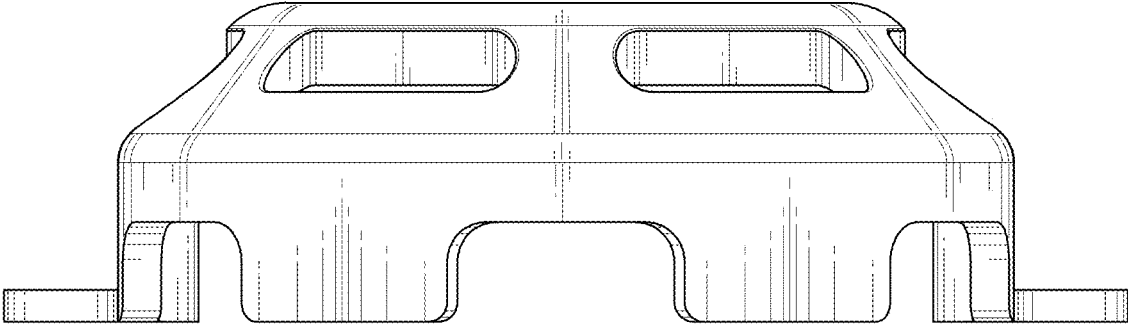


FIG. 3

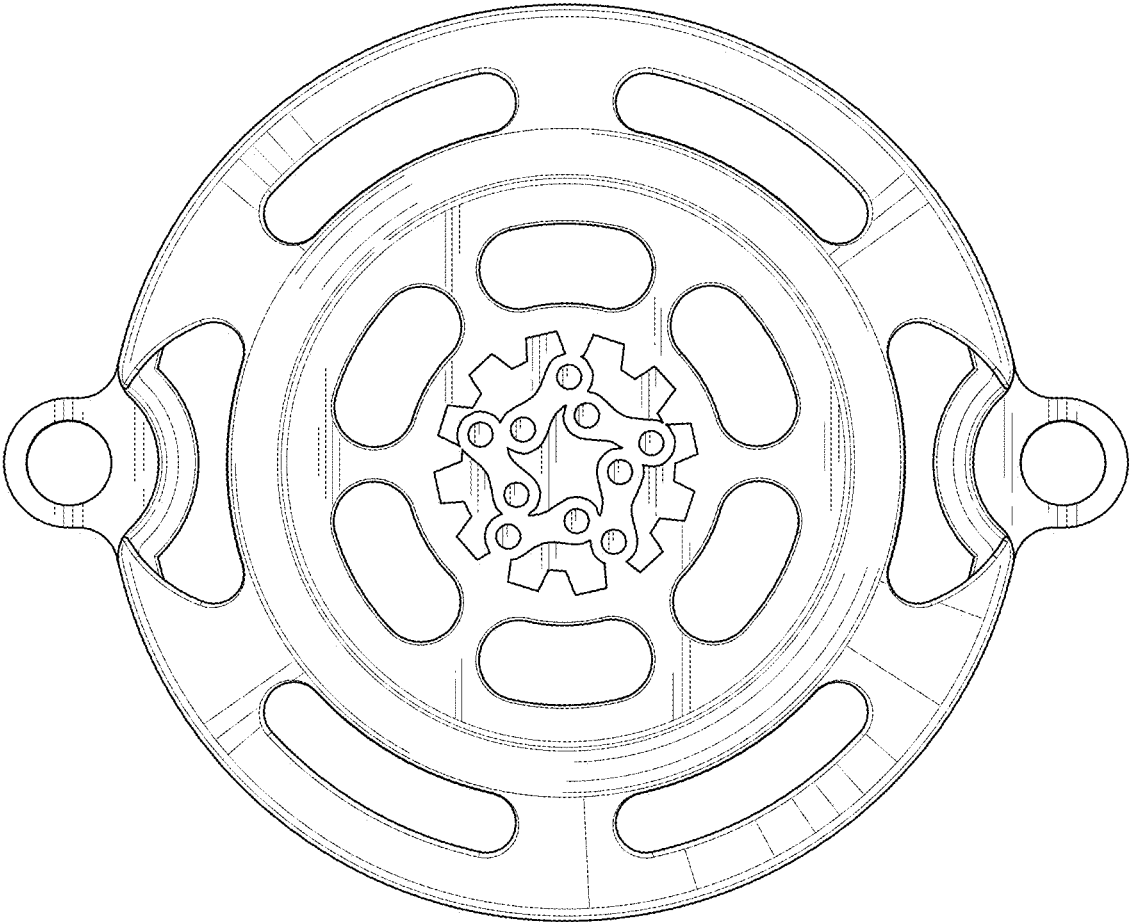


FIG. 4

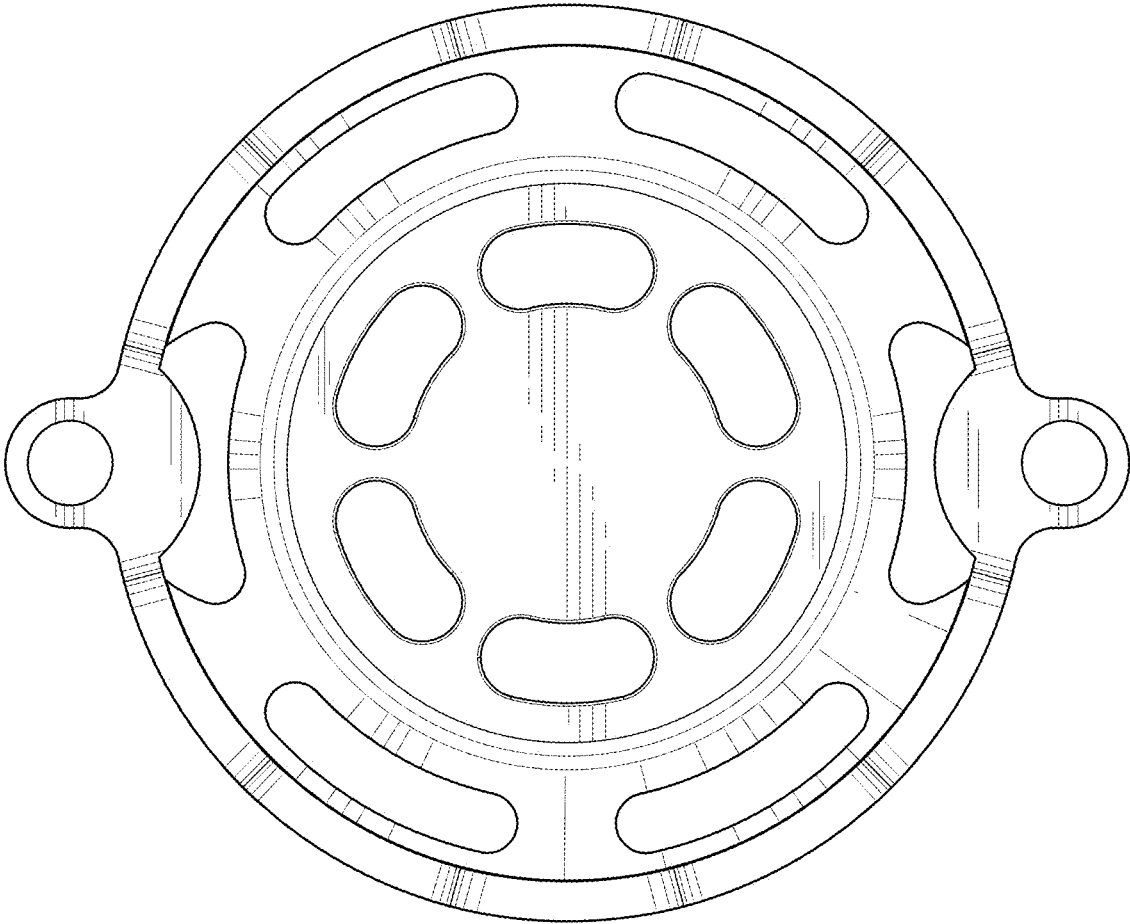


FIG. 5

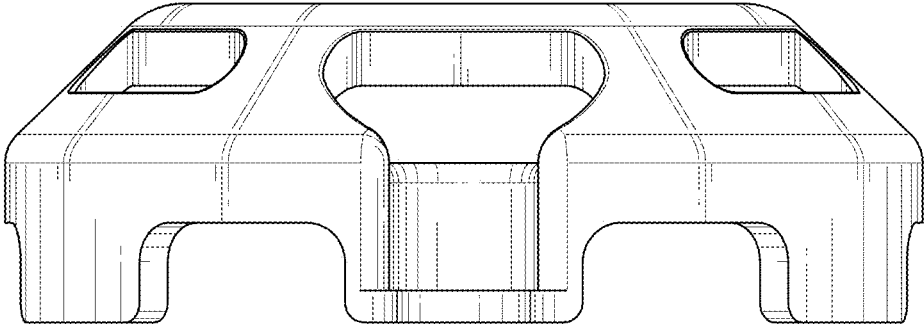


FIG. 6

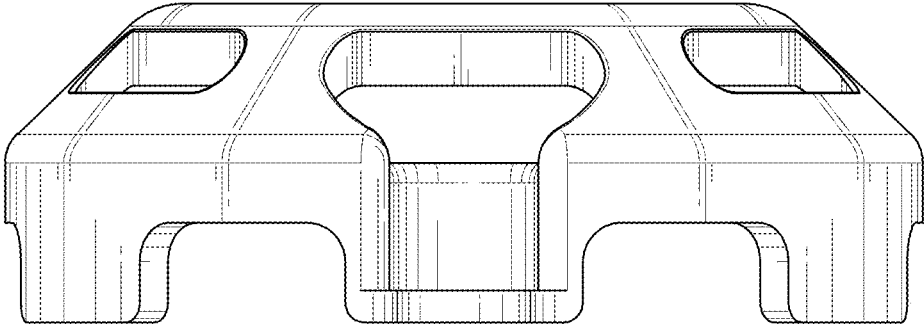


FIG. 7

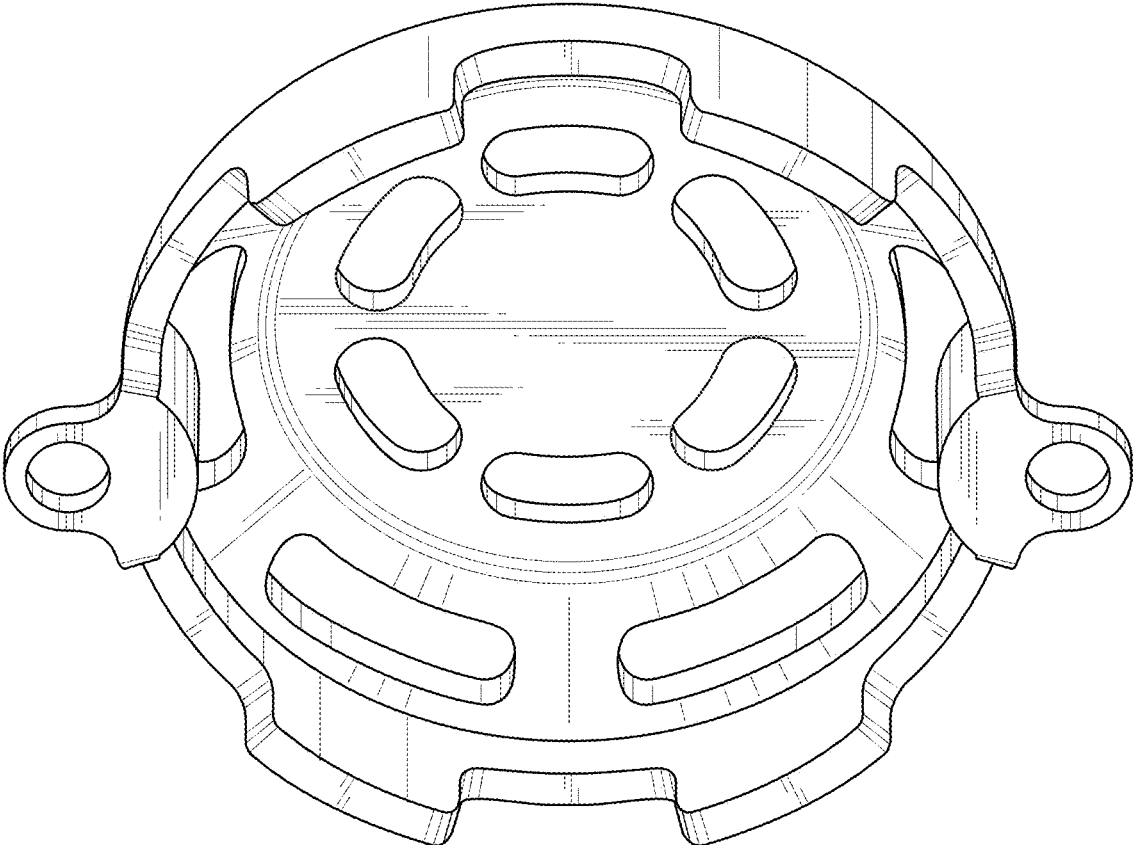


FIG. 8