

(19) World Intellectual Property Organization
International Bureau



(43) International Publication Date
9 February 2006 (09.02.2006)

PCT

(10) International Publication Number
WO 2006/014902 A3

(51) International Patent Classification⁷: G05B 11/01,
H04J 3/08, H04B 1/38

(21) International Application Number:
PCT/US2005/026401

(22) International Filing Date: 26 July 2005 (26.07.2005)

(25) Filing Language: English

(26) Publication Language: English

(30) Priority Data:
10/899,926 27 July 2004 (27.07.2004) US

(71) Applicant (for all designated States except US): CUR-
RENT TECHNOLOGIES, LLC [US/US]; 12800 Mid-
dlebrook Road, Suite 201, Germantown, MD 20874 (US).

(72) Inventors: KLINE, Paul, A.; 19501 Ridge Heights Drive,
Gaithersburg, MD 20879 (US). BERKMAN, William, H.;
158 Mercer Street, #8M, New York, NY 10012 (US).

(74) Agent: BARNES, Melvin; Manelli, Denison & Selter,
PLLC, 2000 M St., N.W., Suite 700, Washington, DC
20036 (US).

(81) Designated States (unless otherwise indicated, for every
kind of national protection available): AE, AG, AL, AM,
AT, AU, AZ, BA, BB, BG, BR, BW, BY, BZ, CA, CH, CN,

CO, CR, CU, CZ, DE, DK, DM, DZ, EC, EE, EG, ES, FI,
GB, GD, GE, GH, GM, HR, HU, ID, IL, IN, IS, JP, KE,
KG, KM, KP, KR, KZ, LC, LK, LR, LS, LT, LU, LV, MA,
MD, MG, MK, MN, MW, MX, MZ, NA, NG, NI, NO, NZ,
OM, PG, PH, PL, PT, RO, RU, SC, SD, SE, SG, SK, SL,
SM, SY, TJ, TM, TN, TR, TT, TZ, UA, UG, US, UZ, VC,
VN, YU, ZA, ZM, ZW.

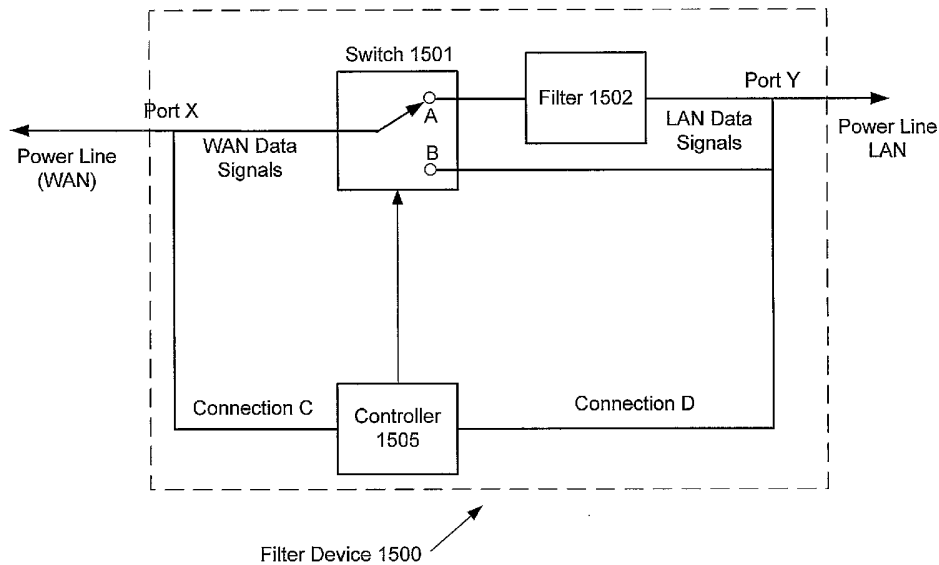
(84) Designated States (unless otherwise indicated, for every
kind of regional protection available): ARIPO (BW, GH,
GM, KE, LS, MW, MZ, NA, SD, SL, SZ, TZ, UG, ZM,
ZW), Eurasian (AM, AZ, BY, KG, KZ, MD, RU, TJ, TM),
European (AT, BE, BG, CH, CY, CZ, DE, DK, EE, ES, FI,
FR, GB, GR, HU, IE, IS, IT, LT, LU, LV, MC, NL, PL, PT,
RO, SE, SI, SK, TR), OAPI (BF, BJ, CF, CG, CI, CM, GA,
GN, GQ, GW, ML, MR, NE, SN, TD, TG).

Published:
— with international search report
— before the expiration of the time limit for amending the
claims and to be republished in the event of receipt of
amendments

(88) Date of publication of the international search report:
27 April 2006

For two-letter codes and other abbreviations, refer to the "Guid-
ance Notes on Codes and Abbreviations" appearing at the begin-
ning of each regular issue of the PCT Gazette.

(54) Title: METHOD OF ISOLATING DATA IN A POWER LINE COMMUNICATIONS NETWORK



(57) Abstract: The present invention provides isolation between a power line local area network and another network such as a power line wide area network. In one embodiment of the present invention, a filter device (1500) is installed on the power line supplying power to a structure in which a power line local area network is present. The example filter device (1500) may comprise a controller (1505) configured to receive a control signal and to cause a switch (1502) to activate or deactivate a low pass filter (1502) for attenuating the data signals.

WO 2006/014902 A3

INTERNATIONAL SEARCH REPORT

International application No.

PCT/US05/26401

<p>A. CLASSIFICATION OF SUBJECT MATTER IPC(7) : G05 B 11/01; H04J 3/08; H04B 1/38 US CL : 340/310.11, 310.12, 310.13, 310.14, 310.15, 310.16, 310.17, 310.18; 370/501, 502; 375/219 According to International Patent Classification (IPC) or to both national classification and IPC</p>														
<p>B. FIELDS SEARCHED</p> <p>Minimum documentation searched (classification system followed by classification symbols) U.S. : 340/310.11, 310.12, 310.13, 310.14, 310.15, 310.16, 310.17, 310.18; 370/501, 502; 375/219</p> <p>Documentation searched other than minimum documentation to the extent that such documents are included in the fields searched</p> <p>Electronic data base consulted during the international search (name of data base and, where practicable, search terms used) EAST database: power line communication, wide area network, attenuating, attenuation, filter.</p>														
<p>C. DOCUMENTS CONSIDERED TO BE RELEVANT</p> <table border="1"> <thead> <tr> <th>Category *</th> <th>Citation of document, with indication, where appropriate, of the relevant passages</th> <th>Relevant to claim No.</th> </tr> </thead> <tbody> <tr> <td>Y</td> <td>US 6,737,984 A (WELLES, II et al) 18 May 2004, see entire document.</td> <td>1-44</td> </tr> <tr> <td>Y</td> <td>US 2003/0062990 A (SCHAEFFER, JR. et al) 03 April 2003, see entire document.</td> <td>1-44</td> </tr> <tr> <td>Y</td> <td>US 4,599,598 A (KOMODA et al) 08 July 1986, see entire document.</td> <td>1-44</td> </tr> </tbody> </table>			Category *	Citation of document, with indication, where appropriate, of the relevant passages	Relevant to claim No.	Y	US 6,737,984 A (WELLES, II et al) 18 May 2004, see entire document.	1-44	Y	US 2003/0062990 A (SCHAEFFER, JR. et al) 03 April 2003, see entire document.	1-44	Y	US 4,599,598 A (KOMODA et al) 08 July 1986, see entire document.	1-44
Category *	Citation of document, with indication, where appropriate, of the relevant passages	Relevant to claim No.												
Y	US 6,737,984 A (WELLES, II et al) 18 May 2004, see entire document.	1-44												
Y	US 2003/0062990 A (SCHAEFFER, JR. et al) 03 April 2003, see entire document.	1-44												
Y	US 4,599,598 A (KOMODA et al) 08 July 1986, see entire document.	1-44												
<p><input type="checkbox"/> Further documents are listed in the continuation of Box C. <input type="checkbox"/> See patent family annex.</p>														
<p>* Special categories of cited documents:</p> <table border="0"> <tr> <td>"A" document defining the general state of the art which is not considered to be of particular relevance</td> <td>"T" later document published after the international filing date or priority date and not in conflict with the application but cited to understand the principle or theory underlying the invention</td> </tr> <tr> <td>"E" earlier application or patent published on or after the international filing date</td> <td>"X" document of particular relevance; the claimed invention cannot be considered novel or cannot be considered to involve an inventive step when the document is taken alone</td> </tr> <tr> <td>"L" document which may throw doubts on priority claim(s) or which is cited to establish the publication date of another citation or other special reason (as specified)</td> <td>"Y" document of particular relevance; the claimed invention cannot be considered to involve an inventive step when the document is combined with one or more other such documents, such combination being obvious to a person skilled in the art</td> </tr> <tr> <td>"O" document referring to an oral disclosure, use, exhibition or other means</td> <td>"&" document member of the same patent family</td> </tr> <tr> <td>"P" document published prior to the international filing date but later than the priority date claimed</td> <td></td> </tr> </table>			"A" document defining the general state of the art which is not considered to be of particular relevance	"T" later document published after the international filing date or priority date and not in conflict with the application but cited to understand the principle or theory underlying the invention	"E" earlier application or patent published on or after the international filing date	"X" document of particular relevance; the claimed invention cannot be considered novel or cannot be considered to involve an inventive step when the document is taken alone	"L" document which may throw doubts on priority claim(s) or which is cited to establish the publication date of another citation or other special reason (as specified)	"Y" document of particular relevance; the claimed invention cannot be considered to involve an inventive step when the document is combined with one or more other such documents, such combination being obvious to a person skilled in the art	"O" document referring to an oral disclosure, use, exhibition or other means	"&" document member of the same patent family	"P" document published prior to the international filing date but later than the priority date claimed			
"A" document defining the general state of the art which is not considered to be of particular relevance	"T" later document published after the international filing date or priority date and not in conflict with the application but cited to understand the principle or theory underlying the invention													
"E" earlier application or patent published on or after the international filing date	"X" document of particular relevance; the claimed invention cannot be considered novel or cannot be considered to involve an inventive step when the document is taken alone													
"L" document which may throw doubts on priority claim(s) or which is cited to establish the publication date of another citation or other special reason (as specified)	"Y" document of particular relevance; the claimed invention cannot be considered to involve an inventive step when the document is combined with one or more other such documents, such combination being obvious to a person skilled in the art													
"O" document referring to an oral disclosure, use, exhibition or other means	"&" document member of the same patent family													
"P" document published prior to the international filing date but later than the priority date claimed														
<p>Date of the actual completion of the international search 06 January 2006 (06.01.2006)</p>		<p>Date of mailing of the international search report 14 FEB 2006</p>												
<p>Name and mailing address of the ISA/US Mail Stop PCT, Attn: ISA/US Commissioner of Patents P.O. Box 1450 Alexandria, Virginia 22313-1450 Facsimile No. (571) 273-3201</p>		<p>Authorized officer Phung Nguyen Telephone No. 571-272-2968</p> 