



US00D370970S

United States Patent [19] Crudele

[11] **Patent Number: Des. 370,970**
[45] **Date of Patent: **Jun. 18, 1996**

- [54] **ARCHERY BOW RELEASE GRIP**
- [76] Inventor: **Lonnie Crudele**, R.D. 1 Longhill Rd., Highland Mills, N.Y. 10939
- [**] Term: **14 Years**
- [*] Notice: The portion of the term of this patent subsequent to May 28, 2010, has been disclaimed.
- [21] Appl. No.: **20,268**
- [22] Filed: **Mar. 23, 1994**
- [52] U.S. Cl. **D22/107**; D22/107
- [58] Field of Search D22/107; 124/35.2, 124/86, 88, 91; 482/124, 127

5,009,214 4/1991 Wilde 124/35.2

OTHER PUBLICATIONS

Archery, Dec. 1974, p. 45, "Super Eliminator" Release Aid, bottom center of page.

Primary Examiner—Louis S. Zarfes
Assistant Examiner—Monica A. Hannon
Attorney, Agent, or Firm—Martin J. Spellman, Jr.

CLAIM

[57] The ornamental design for an archery bow release grip, as shown.

DESCRIPTION

FIG. 1 is a top, right side, and front perspective view of an archery bow release grip showing my new design; FIG. 2 is a bottom, right side, and rear perspective view thereof; FIG. 3 is a right side elevational view thereof, the left side view being a mirror image thereof; FIG. 4 is a top plan view thereof; FIG. 5 is a rear elevational view thereof; FIG. 6 is a front elevational view thereof; and, FIG. 7 is a bottom plan view thereof.

References Cited

U.S. PATENT DOCUMENTS

D. 255,824	7/1980	MacWilliams et al.	124/35.2 X
3,757,763	9/1973	Pinti et al.	D22/107 X
4,004,564	1/1977	Castonguay	124/35.2
4,105,011	8/1978	Chism	124/35.2
4,132,215	1/1979	Burton	124/35.2
4,672,945	6/1987	Carlton	124/88 X
4,969,448	11/1990	Beyer	124/35.2

1 Claim, 3 Drawing Sheets

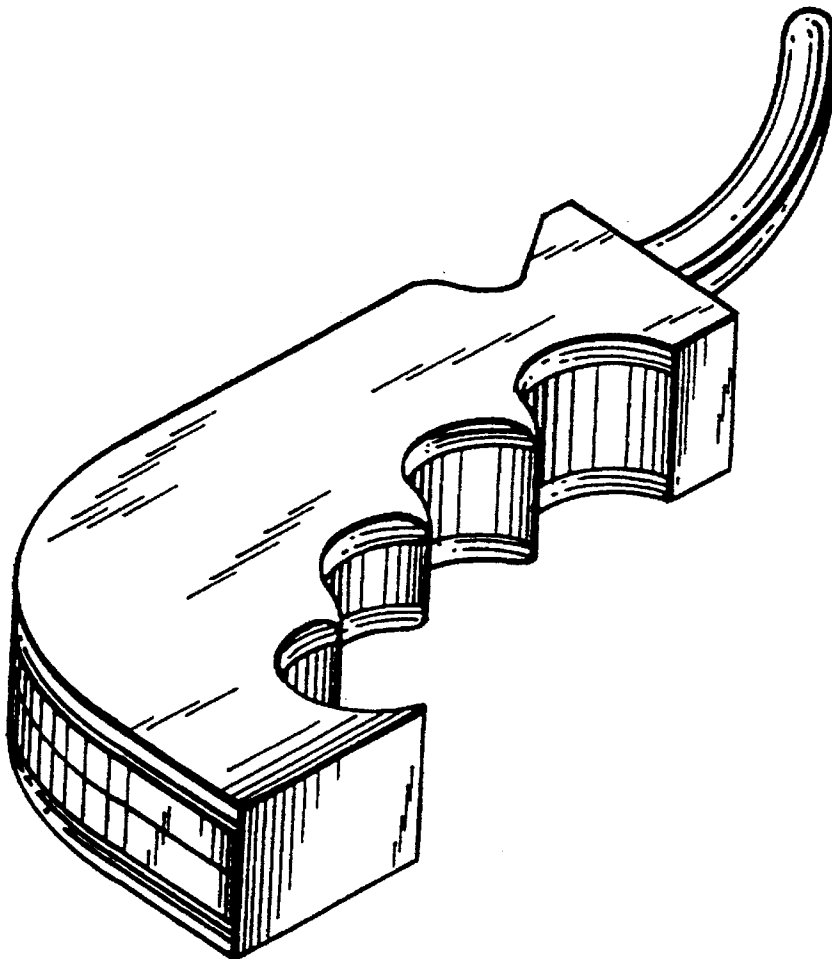


FIG.1

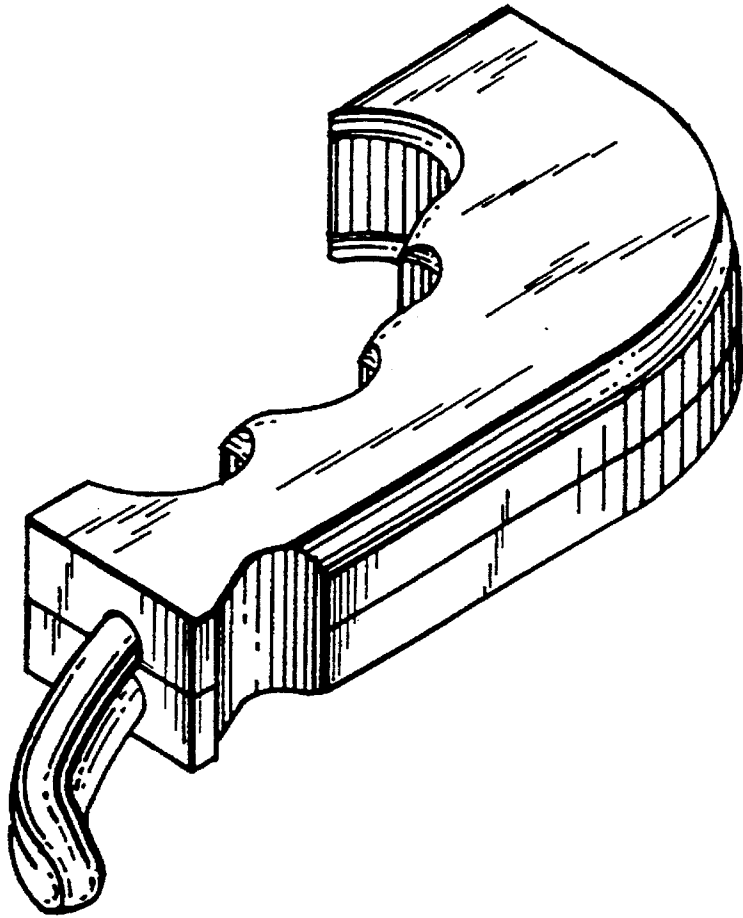
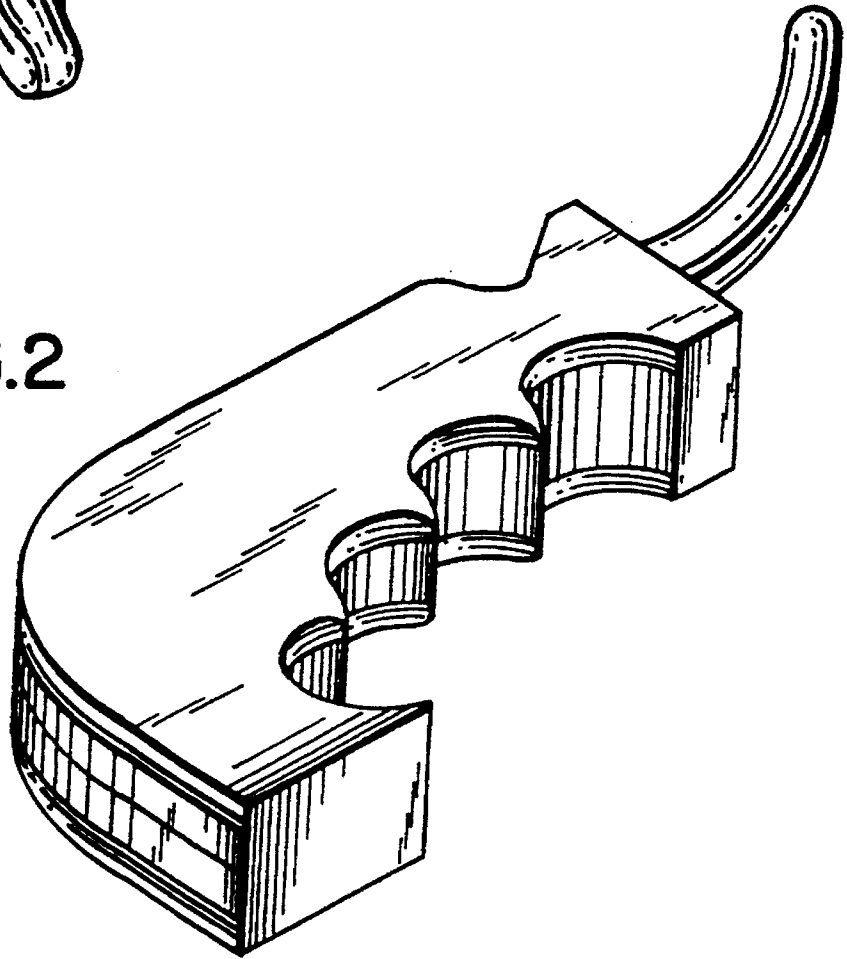


FIG.2



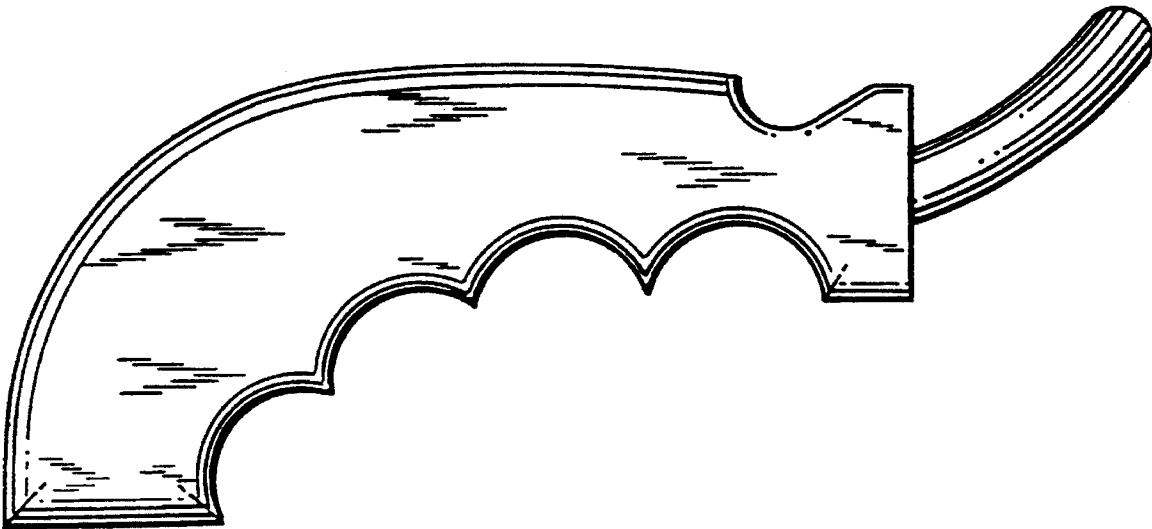


FIG. 3

FIG.4

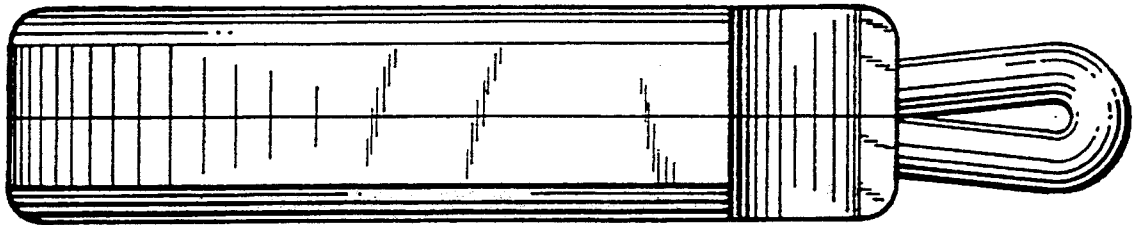


FIG.5

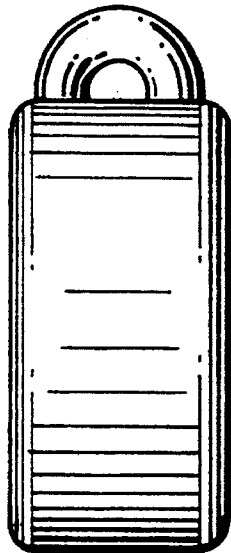


FIG.6

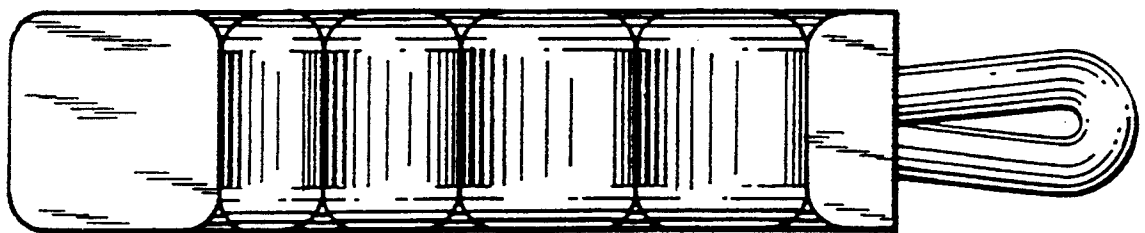
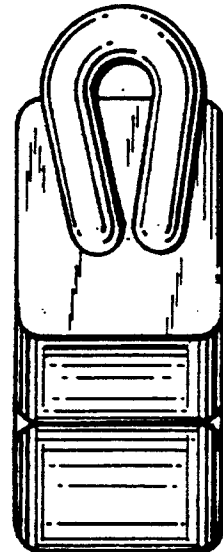


FIG.7