



- (51) International Patent Classification:
E06B 9/322 (2006.01) *E06B 9/323* (2006.01)
- (21) International Application Number:
PCT/NL2013/050468
- (22) International Filing Date:
28 June 2013 (28.06.2013)
- (25) Filing Language: Dutch
- (26) Publication Language: English
- (30) Priority Data:
2009091 29 June 2012 (29.06.2012) NL
- (71) Applicant: **VAKO B.V.** [NL/NL]; Bosmanskamp 25, NL-4191 MS Geldermalsen (NL).
- (72) Inventor: **VALKENBURG, Nanne, Willem;** Helvoirtseweg 215, NL-5263 LT Vught (NL).
- (74) Agent: **LANGENHUIJSEN, Bastiaan, Wilhelmus, Herman;** Patentwerk B.V., P.O. Box 1514, NL-5200 BN 's-Hertogenbosch (NL).
- (81) Designated States (unless otherwise indicated, for every kind of national protection available): AE, AG, AL, AM, AO, AT, AU, AZ, BA, BB, BG, BH, BN, BR, BW, BY,

BZ, CA, CH, CL, CN, CO, CR, CU, CZ, DE, DK, DM, DO, DZ, EC, EE, EG, ES, FI, GB, GD, GE, GH, GM, GT, HN, HR, HU, ID, IL, IN, IS, JP, KE, KG, KN, KP, KR, KZ, LA, LC, LK, LR, LS, LT, LU, LY, MA, MD, ME, MG, MK, MN, MW, MX, MY, MZ, NA, NG, NI, NO, NZ, OM, PA, PE, PG, PH, PL, PT, QA, RO, RS, RU, RW, SC, SD, SE, SG, SK, SL, SM, ST, SV, SY, TH, TJ, TM, TN, TR, TT, TZ, UA, UG, US, UZ, VC, VN, ZA, ZM, ZW.

(84) Designated States (unless otherwise indicated, for every kind of regional protection available): ARIPO (BW, GH, GM, KE, LR, LS, MW, MZ, NA, RW, SD, SL, SZ, TZ, UG, ZM, ZW), Eurasian (AM, AZ, BY, KG, KZ, RU, TJ, TM), European (AL, AT, BE, BG, CH, CY, CZ, DE, DK, EE, ES, FI, FR, GB, GR, HR, HU, IE, IS, IT, LT, LU, LV, MC, MK, MT, NL, NO, PL, PT, RO, RS, SE, SI, SK, SM, TR), OAPI (BF, BJ, CF, CG, CI, CM, GA, GN, GQ, GW, KM, ML, MR, NE, SN, TD, TG).

Declarations under Rule 4.17:

— as to applicant's entitlement to apply for and be granted a patent (Rule 4.17(ii))

Published:

— with international search report (Art. 21(3))

[Continued on next page]

(54) Title: LOCKING ELEMENT FOR A CURTAIN RAIL, METHOD, AND ASSEMBLY

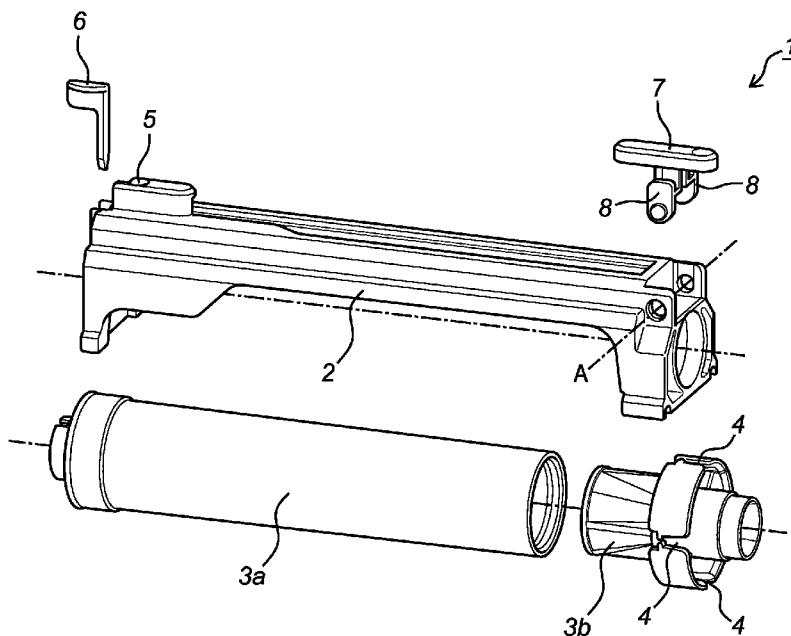


Fig. 1

(57) Abstract: The invention relates to a locking element (6) for interacting with a curtain rail (9). The invention also relates to a method for causing a locking element (6) according to the invention to interact with a curtain rail (9). The invention further relates to an assembly of a locking element (6) according to the invention and a curtain rail (9).



(88) Date of publication of the international search report:
27 February 2014

INTERNATIONAL SEARCH REPORT

International application No
PCT/NL2013/050468

<p>A. CLASSIFICATION OF SUBJECT MATTER INV. E06B9/322 E06B9/323 ADD.</p> <p>According to International Patent Classification (IPC) or to both national classification and IPC</p>											
<p>B. FIELDS SEARCHED</p> <p>Minimum documentation searched (classification system followed by classification symbols) E06B</p> <p>Documentation searched other than minimum documentation to the extent that such documents are included in the fields searched</p> <p>Electronic data base consulted during the international search (name of data base and, where practicable, search terms used) EPO-Internal, WPI Data</p>											
<p>C. DOCUMENTS CONSIDERED TO BE RELEVANT</p> <table border="1" style="width:100%; border-collapse: collapse;"> <thead> <tr> <th style="width:10%;">Category*</th> <th style="width:70%;">Citation of document, with indication, where appropriate, of the relevant passages</th> <th style="width:20%;">Relevant to claim No.</th> </tr> </thead> <tbody> <tr> <td style="text-align:center;">A</td> <td> US 5 908 062 A (FUN FU-MEI [TW]) 1 June 1999 (1999-06-01) figures 1,2 ----- </td> <td style="text-align:center;">1, 17, 18</td> </tr> <tr> <td style="text-align:center;">A</td> <td> EP 1 647 666 A2 (CTR TRADING B V [NL]) 19 April 2006 (2006-04-19) figures 1,2 ----- </td> <td style="text-align:center;">1, 17, 18</td> </tr> </tbody> </table>			Category*	Citation of document, with indication, where appropriate, of the relevant passages	Relevant to claim No.	A	US 5 908 062 A (FUN FU-MEI [TW]) 1 June 1999 (1999-06-01) figures 1,2 -----	1, 17, 18	A	EP 1 647 666 A2 (CTR TRADING B V [NL]) 19 April 2006 (2006-04-19) figures 1,2 -----	1, 17, 18
Category*	Citation of document, with indication, where appropriate, of the relevant passages	Relevant to claim No.									
A	US 5 908 062 A (FUN FU-MEI [TW]) 1 June 1999 (1999-06-01) figures 1,2 -----	1, 17, 18									
A	EP 1 647 666 A2 (CTR TRADING B V [NL]) 19 April 2006 (2006-04-19) figures 1,2 -----	1, 17, 18									
<p><input type="checkbox"/> Further documents are listed in the continuation of Box C. <input checked="" type="checkbox"/> See patent family annex.</p>											
<p>* Special categories of cited documents :</p> <table style="width:100%;"> <tr> <td style="width:50%; vertical-align: top;"> <p>"A" document defining the general state of the art which is not considered to be of particular relevance</p> <p>"E" earlier application or patent but published on or after the international filing date</p> <p>"L" document which may throw doubts on priority claim(s) or which is cited to establish the publication date of another citation or other special reason (as specified)</p> <p>"O" document referring to an oral disclosure, use, exhibition or other means</p> <p>"P" document published prior to the international filing date but later than the priority date claimed</p> </td> <td style="width:50%; vertical-align: top;"> <p>"T" later document published after the international filing date or priority date and not in conflict with the application but cited to understand the principle or theory underlying the invention</p> <p>"X" document of particular relevance; the claimed invention cannot be considered novel or cannot be considered to involve an inventive step when the document is taken alone</p> <p>"Y" document of particular relevance; the claimed invention cannot be considered to involve an inventive step when the document is combined with one or more other such documents, such combination being obvious to a person skilled in the art</p> <p>"&" document member of the same patent family</p> </td> </tr> </table>			<p>"A" document defining the general state of the art which is not considered to be of particular relevance</p> <p>"E" earlier application or patent but published on or after the international filing date</p> <p>"L" document which may throw doubts on priority claim(s) or which is cited to establish the publication date of another citation or other special reason (as specified)</p> <p>"O" document referring to an oral disclosure, use, exhibition or other means</p> <p>"P" document published prior to the international filing date but later than the priority date claimed</p>	<p>"T" later document published after the international filing date or priority date and not in conflict with the application but cited to understand the principle or theory underlying the invention</p> <p>"X" document of particular relevance; the claimed invention cannot be considered novel or cannot be considered to involve an inventive step when the document is taken alone</p> <p>"Y" document of particular relevance; the claimed invention cannot be considered to involve an inventive step when the document is combined with one or more other such documents, such combination being obvious to a person skilled in the art</p> <p>"&" document member of the same patent family</p>							
<p>"A" document defining the general state of the art which is not considered to be of particular relevance</p> <p>"E" earlier application or patent but published on or after the international filing date</p> <p>"L" document which may throw doubts on priority claim(s) or which is cited to establish the publication date of another citation or other special reason (as specified)</p> <p>"O" document referring to an oral disclosure, use, exhibition or other means</p> <p>"P" document published prior to the international filing date but later than the priority date claimed</p>	<p>"T" later document published after the international filing date or priority date and not in conflict with the application but cited to understand the principle or theory underlying the invention</p> <p>"X" document of particular relevance; the claimed invention cannot be considered novel or cannot be considered to involve an inventive step when the document is taken alone</p> <p>"Y" document of particular relevance; the claimed invention cannot be considered to involve an inventive step when the document is combined with one or more other such documents, such combination being obvious to a person skilled in the art</p> <p>"&" document member of the same patent family</p>										
<p>Date of the actual completion of the international search</p> <p align="center">29 November 2013</p>		<p>Date of mailing of the international search report</p> <p align="center">06/12/2013</p>									
<p>Name and mailing address of the ISA/ European Patent Office, P.B. 5818 Patentlaan 2 NL - 2280 HV Rijswijk Tel. (+31-70) 340-2040, Fax: (+31-70) 340-3016</p>		<p>Authorized officer</p> <p align="center">Peschel, Gerhard</p>									

INTERNATIONAL SEARCH REPORT

Information on patent family members

International application No

PCT/NL2013/050468

Patent document cited in search report	Publication date	Patent family member(s)	Publication date
US 5908062	A	01-06-1999	NONE
EP 1647666	A2	19-04-2006	NONE