

(19) World Intellectual Property  
Organization  
International Bureau



(43) International Publication Date  
15 January 2004 (15.01.2004)

PCT

(10) International Publication Number  
WO 2004/006565 A3

- (51) International Patent Classification<sup>7</sup>: G06T 5/20, H04N 9/04
- (21) International Application Number: PCT/IB2003/002656
- (22) International Filing Date: 24 June 2003 (24.06.2003)
- (25) Filing Language: English
- (26) Publication Language: English
- (30) Priority Data: 02077689.4 4 July 2002 (04.07.2002) EP
- (71) Applicant (for all designated States except US): KONINKLIJKE PHILIPS ELECTRONICS N. V. [NL/NL]; Groenewoudseweg 1, NL-5621 BA Eindhoven (NL).

(81) Designated States (national): AE, AG, AL, AM, AT, AU, AZ, BA, BB, BG, BR, BY, BZ, CA, CH, CN, CO, CR, CU, CZ, DE, DK, DM, DZ, EC, EE, ES, FI, GB, GD, GE, GH, GM, HR, HU, ID, IL, IN, IS, JP, KE, KG, KP, KR, KZ, LC, LK, LR, LS, LT, LU, LV, MA, MD, MG, MK, MN, MW, MX, MZ, NI, NO, NZ, OM, PG, PH, PL, PT, RO, RU, SC, SD, SE, SG, SK, SL, TJ, TM, TN, TR, TT, TZ, UA, UG, US, UZ, VC, VN, YU, ZA, ZM, ZW.

(84) Designated States (regional): ARIPO patent (GH, GM, KE, LS, MW, MZ, SD, SL, SZ, TZ, UG, ZM, ZW), Eurasian patent (AM, AZ, BY, KG, KZ, MD, RU, TJ, TM), European patent (AT, BE, BG, CH, CY, CZ, DE, DK, EE, ES, FI, FR, GB, GR, HU, IE, IT, LU, MC, NL, PT, RO, SE, SI, SK, TR), OAPI patent (BF, BJ, CF, CG, CI, CM, GA, GN, GQ, GW, ML, MR, NE, SN, TD, TG).

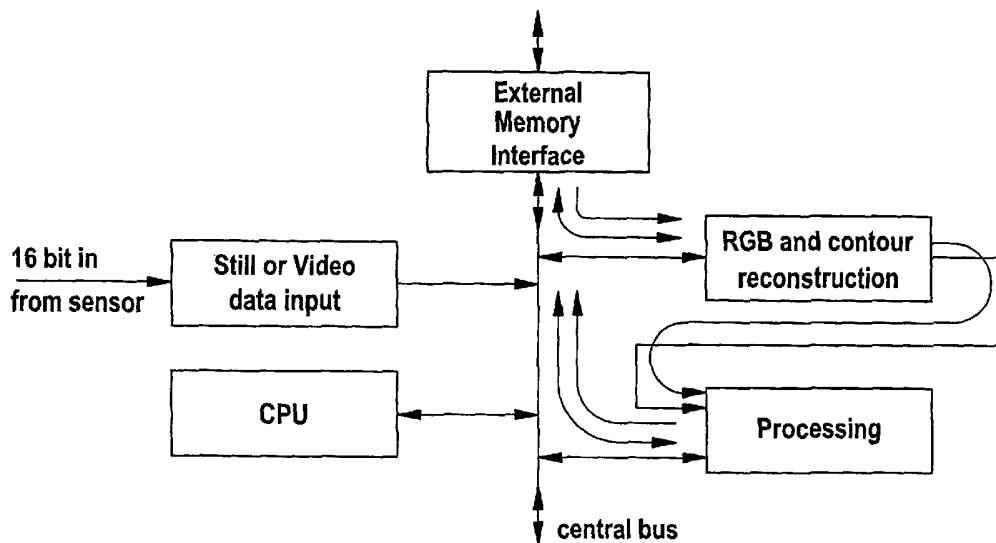
Published:  
— with international search report

(88) Date of publication of the international search report:  
4 March 2004

- (72) Inventor; and
- (75) Inventor/Applicant (for US only): JASPERS, Cornelius, A., M. [NL/NL]; c/o Prof. Holstlaan 6, NL-5656 AA Eindhoven (NL).
- (74) Agent: SCHOENMAKER, Maarten; International Octrooibureau B.V., Prof. Holstlaan 6, NL-5656 AA Eindhoven (NL).

For two-letter codes and other abbreviations, refer to the "Guidance Notes on Codes and Abbreviations" appearing at the beginning of each regular issue of the PCT Gazette.

(54) Title: METHOD AND APPARATUS FOR SIGNAL PROCESSING, COMPUTER PROGRAM PRODUCT, COMPUTING SYSTEM AND CAMERA



(57) Abstract: A reconstruction method based on a white-compensated luminancereconstruction and using filter weights referred to as smartgreen-parameters is proposed. An aliasing free luminance signal, even at the multiples of the sample frequency and in case of a camera without optical low pass filter is achieved. Moreover this white-compensated luminance-signal is free of signal distortion. The proposed method allows a suitable low pass filter to be added or combined and is particular well suited to implement a variety of aliasing free color- and contour-filters. The RGB color signals are reconstructed using filter weights which can be chosen as a function of the heaviness of the sensor matrix and of the optical transfer of the camera.

WO 2004/006565 A3

INTERNATIONAL SEARCH REPORT

International Application No  
PCT/IB 03/02656

A. CLASSIFICATION OF SUBJECT MATTER  
IPC 7 G06T5/20 H04N9/04

According to International Patent Classification (IPC) or to both national classification and IPC

B. FIELDS SEARCHED

Minimum documentation searched (classification system followed by classification symbols)  
IPC 7 G06T H04N

Documentation searched other than minimum documentation to the extent that such documents are included in the fields searched

Electronic data base consulted during the international search (name of data base and, where practical, search terms used)

EPO-Internal

C. DOCUMENTS CONSIDERED TO BE RELEVANT

Category °	Citation of document, with indication, where appropriate, of the relevant passages	Relevant to claim No.
X	US 2002/003578 A1 (KOSHIBA OSAMU ET AL) 10 January 2002 (2002-01-10) paragraph '0083! - paragraph '0084! paragraph '0092! - paragraph '0094! paragraph '0107! - paragraph '0195! paragraph '0094! ---	1-18
A	US 2002/039142 A1 (ZHANG XIAOMANG) 4 April 2002 (2002-04-04) the whole document ---	1-18
A	WO 99 46730 A (CONEXANT SYSTEMS INC) 16 September 1999 (1999-09-16) page 9, line 18 -page 10, line 10 --- -/--	1-18

Further documents are listed in the continuation of box C.

Patent family members are listed in annex.

° Special categories of cited documents :

- \*A\* document defining the general state of the art which is not considered to be of particular relevance
- \*E\* earlier document but published on or after the international filing date
- \*L\* document which may throw doubts on priority claim(s) or which is cited to establish the publication date of another citation or other special reason (as specified)
- \*O\* document referring to an oral disclosure, use, exhibition or other means
- \*P\* document published prior to the international filing date but later than the priority date claimed

- \*T\* later document published after the international filing date or priority date and not in conflict with the application but cited to understand the principle or theory underlying the invention
- \*X\* document of particular relevance; the claimed invention cannot be considered novel or cannot be considered to involve an inventive step when the document is taken alone
- \*Y\* document of particular relevance; the claimed invention cannot be considered to involve an inventive step when the document is combined with one or more other such documents, such combination being obvious to a person skilled in the art.
- \*&\* document member of the same patent family

Date of the actual completion of the international search

3 November 2003

Date of mailing of the international search report

18/12/2003

Name and mailing address of the ISA

European Patent Office, P.B. 5818 Patentlaan 2  
NL - 2280 HV Rijswijk  
Tel. (+31-70) 340-2040, Tx. 31 651 epo nl,  
Fax: (+31-70) 340-3016

Authorized officer

Rockinger, O

## INTERNATIONAL SEARCH REPORT

International Application No  
PCT/IB 03/02656

## C.(Continuation) DOCUMENTS CONSIDERED TO BE RELEVANT

Category °	Citation of document, with indication, where appropriate, of the relevant passages	Relevant to claim No.
A	US 2002/025069 A1 (ENDO TOSHIAKI ET AL) 28 February 2002 (2002-02-28) paragraph '0008! - paragraph '0015! paragraph '0017! - paragraph '0022! paragraph '0037! - paragraph '0042! -----	1-18
A	WO 99 04555 A (KONINKL PHILIPS ELECTRONICS NV ;PHILIPS SVENSKA AB (SE)) 28 January 1999 (1999-01-28) cited in the application page 10, line 6 -page 20, line 11 -----	1-18

# INTERNATIONAL SEARCH REPORT

Information on patent family members

International	Application No
PCT/IB 03/02656	

Patent document cited in search report	Publication date	Patent family member(s)	Publication date
US 2002003578	A1	10-01-2002	EP 1111904 A2
			27-06-2001
			JP 2002010277 A
			11-01-2002
			US 2001045988 A1
			29-11-2001
			US 2002135683 A1
			26-09-2002
			US 2002012398 A1
			31-01-2002
			US 2002027604 A1
			07-03-2002
			US 2002012054 A1
			31-01-2002
			US 2002015447 A1
			07-02-2002
			US 2002012055 A1
			31-01-2002
			US 2002041761 A1
			11-04-2002
US 2002039142	A1	04-04-2002	JP 2002077645 A
			15-03-2002
WO 9946730	A	16-09-1999	US 6507364 B1
			14-01-2003
			AU 2681699 A
			27-09-1999
			TW 413797 B
			01-12-2000
			WO 9946730 A1
			16-09-1999
US 2002025069	A1	28-02-2002	JP 2001320722 A
			16-11-2001
WO 9904555	A	28-01-1999	EP 0935881 A2
			18-08-1999
			WO 9904555 A2
			28-01-1999
			JP 2001501070 T
			23-01-2001