



US00D835787S

(12) **United States Design Patent**
Radocy et al.

(10) **Patent No.:** **US D835,787 S**

(45) **Date of Patent:** **** Dec. 11, 2018**

- (54) **HELIX PROSTHESIS**
- (71) Applicant: **Therapeutic Recreation Systems, Inc.**,
Boulder, CO (US)
- (72) Inventors: **Robert Radocy**, Boulder, CO (US);
Corey John Baughman, Denver, CO (US)

D653,344 S *	1/2012	Bar-Shalom	D24/156
D728,892 S *	5/2015	Rogers	D1/125
D765,855 S *	9/2016	Ben-Yehuda	D24/156
9,757,119 B2 *	9/2017	Norton	A61B 17/06166
D816,469 S *	5/2018	Toomey	D8/387
D827,825 S *	9/2018	Emanuelli	D24/156
2012/0158137 A1 *	6/2012	Pinczewski	A61F 2/0811 623/13.14

* cited by examiner

- (73) Assignee: **Therapeutic Recreation Systems, Inc.**,
Boulder, CO (US)

Primary Examiner — Charles D Hanson
(74) *Attorney, Agent, or Firm* — Craig R. Miles; CR
MILES P.C.

(**) Term: **15 Years**

(21) Appl. No.: **29/612,928**

(57) **CLAIM**

The ornamental design for a helix prosthesis, as shown and described.

(22) Filed: **Aug. 4, 2017**

(51) **LOC (11) Cl.** **24-03**

(52) **U.S. Cl.**
USPC **D24/155**

(58) **Field of Classification Search**
USPC D24/155–157
CPC A61B 17/7037; A61B 17/7032; A61B
17/7291; A61B 17/8605; A61B 17/864;
A61B 17/8685; A61B 17/70; A61B
17/7011; A61B 17/7035; A61B 17/7082
See application file for complete search history.

DESCRIPTION

FIG. 1 is a perspective view of a left-hand helix showing our new design;
FIG. 2 is a rear elevation view thereof;
FIG. 3 is a front elevation view thereof;
FIG. 4 is a side elevation view thereof;
FIG. 5 is an opposite side elevation view thereof;
FIG. 6 is a top plan view thereof;
FIG. 7 is a bottom plan view thereof;
FIG. 8 is a perspective view of a right-hand helix showing our new design;
FIG. 9 is a rear elevation view thereof;
FIG. 10 is a front elevation view thereof;
FIG. 11 is a side elevation view thereof;
FIG. 12 is an opposite side elevation view thereof;
FIG. 13 is a top plan view thereof; and,
FIG. 14 is a bottom plan view thereof.
The broken lines shown are included for the purpose of illustrating the unclaimed portions of the article and form no part of the claim.

(56) **References Cited**

U.S. PATENT DOCUMENTS

4,927,421 A *	5/1990	Goble	A61F 2/0811 606/232
5,443,509 A *	8/1995	Boucher	A61B 17/861 411/412
5,891,146 A *	4/1999	Simon	A61B 17/863 411/414
6,689,153 B1 *	2/2004	Skiba	A61B 17/0401 606/230
D588,700 S *	3/2009	Anitua Aldecoa	D24/156
D628,292 S *	11/2010	Berberich	D24/145

1 Claim, 8 Drawing Sheets

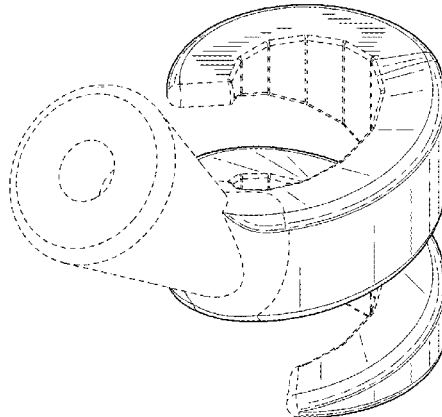


FIG. 1

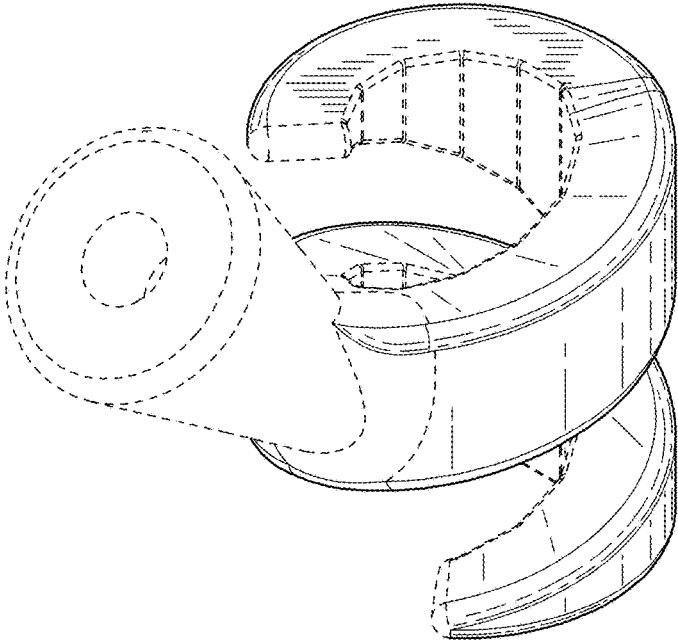


FIG. 2

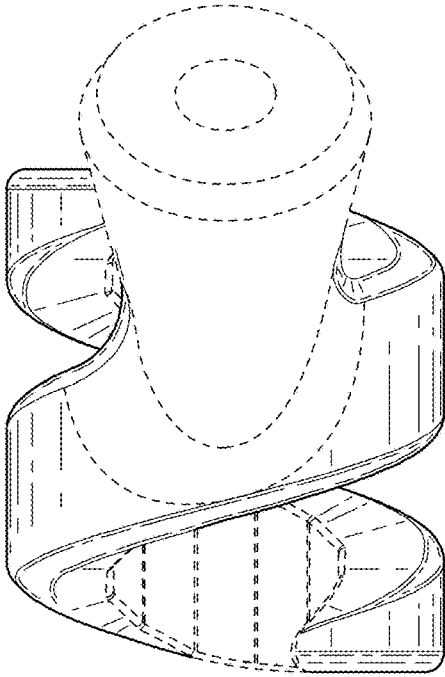


FIG. 3

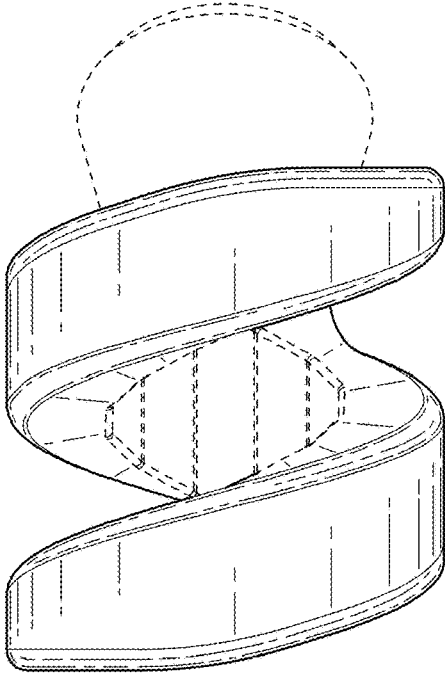


FIG. 4

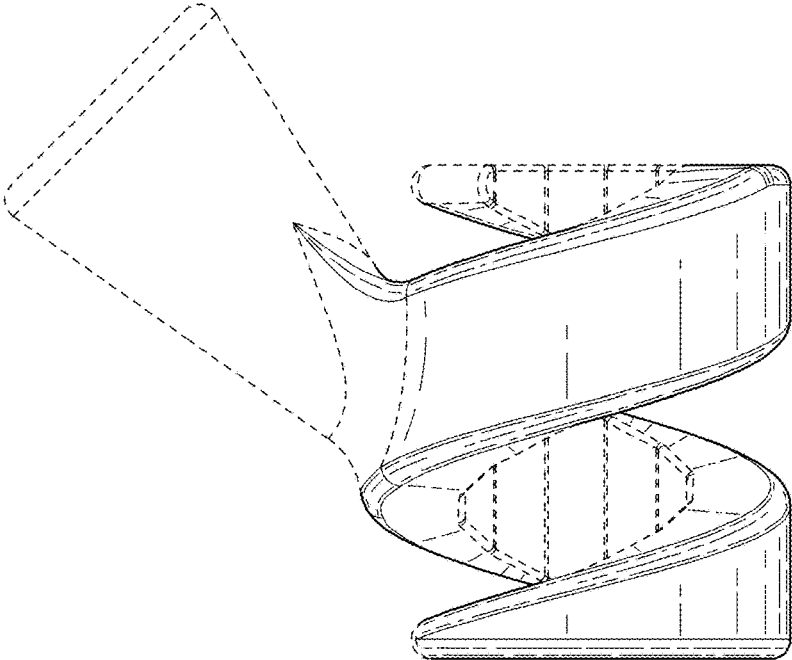


FIG. 5

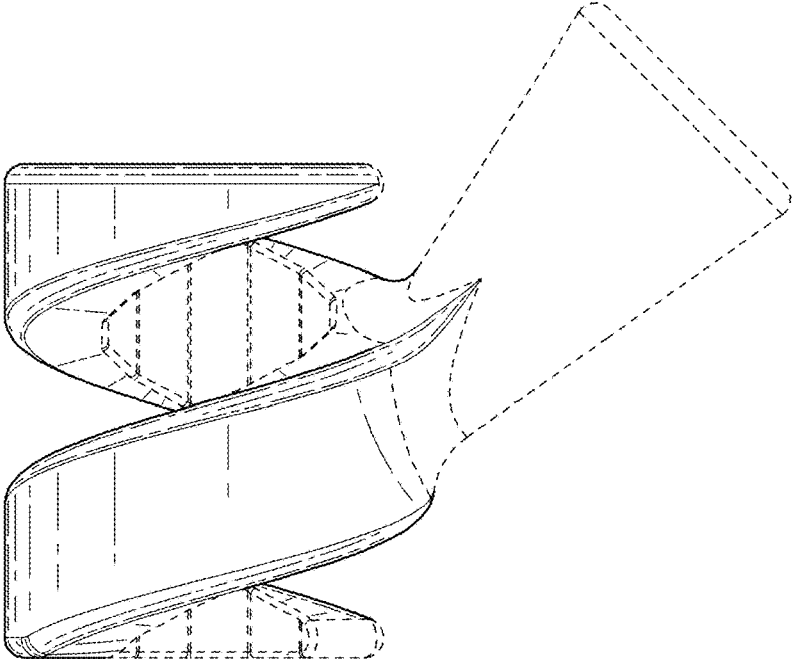


FIG. 7

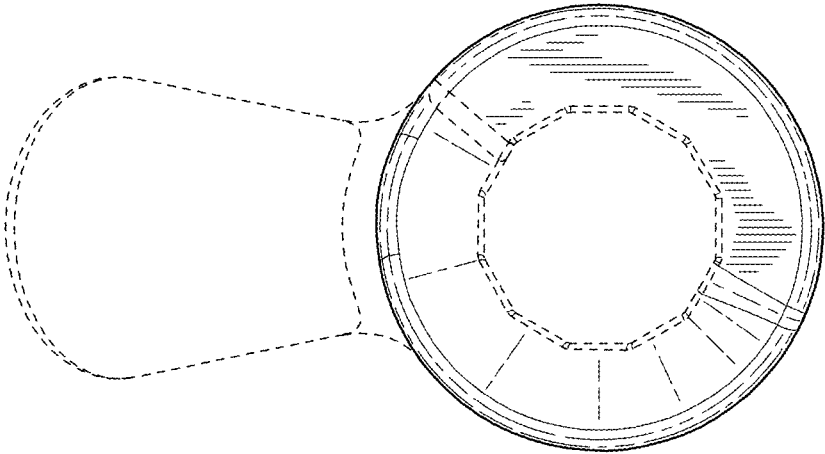


FIG. 6

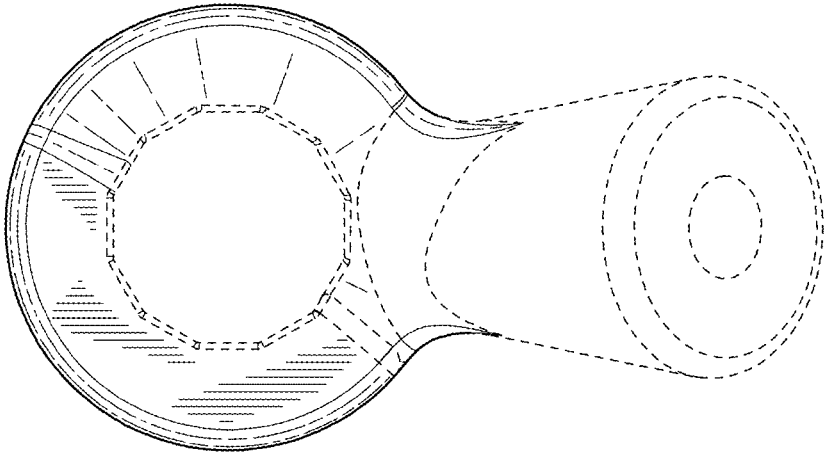


FIG. 8

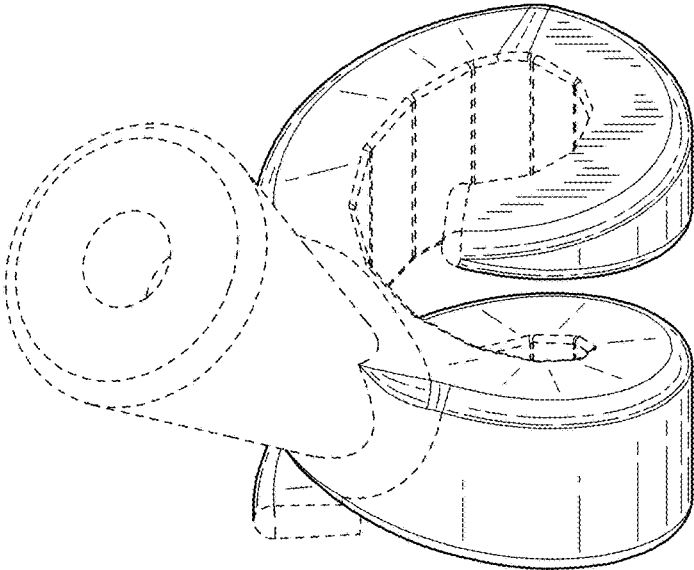


FIG. 9

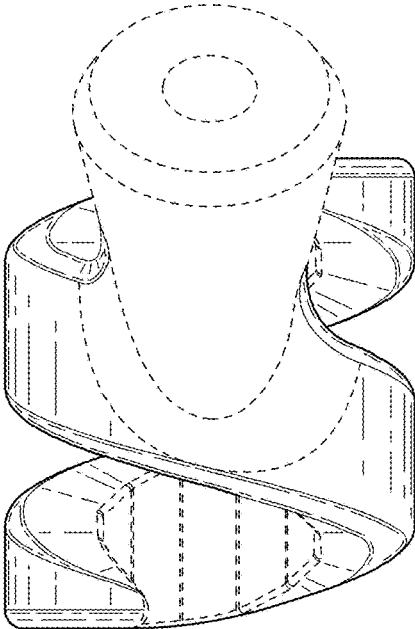


FIG. 10

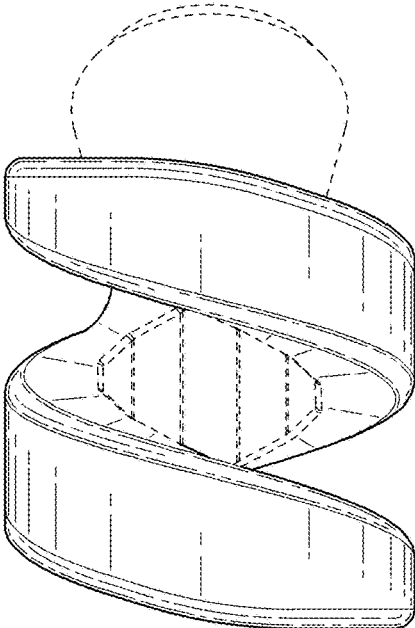


FIG. 11

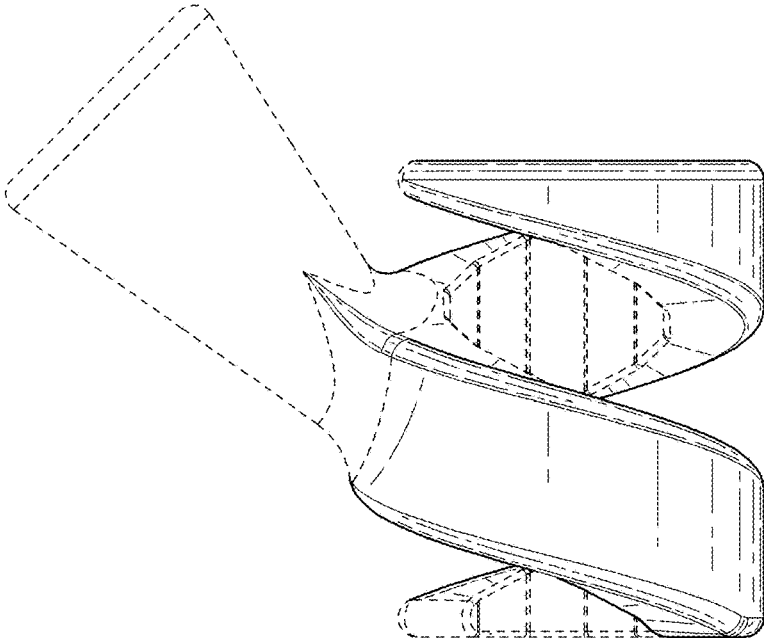


FIG. 12

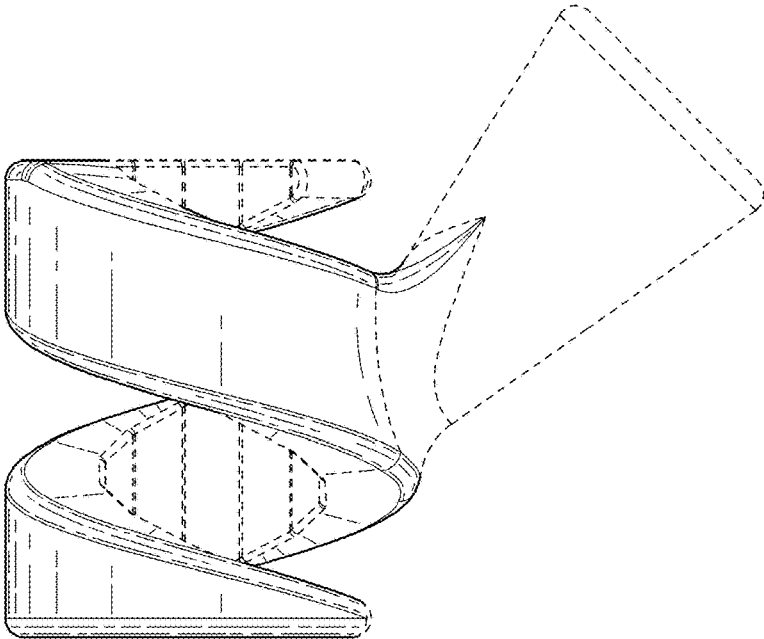


FIG. 14

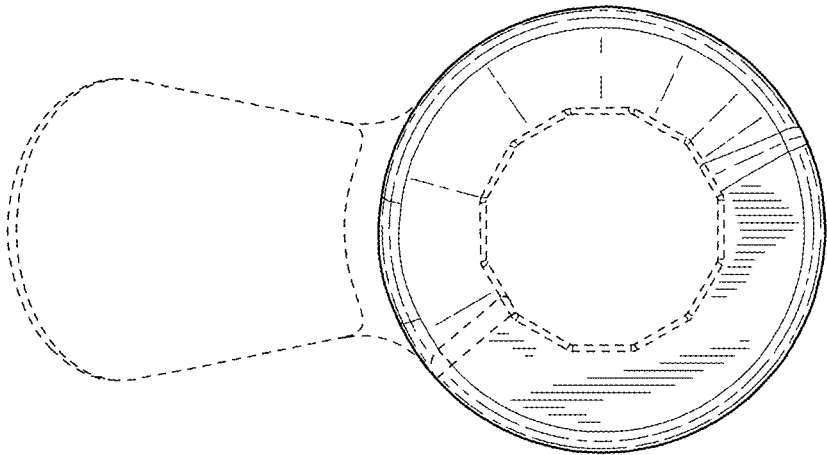


FIG. 13

