



US00D532234S

(12) **United States Design Patent**
Snell

(10) **Patent No.:** **US D532,234 S**

(45) **Date of Patent:** **** Nov. 21, 2006**

(54) **SUCTION SPONGE/SOAP HOLDER**

(75) Inventor: **Russell Benton Snell**, Bentleyville, OH (US)

(73) Assignee: **InterDesign, Inc.**, Solon, OH (US)

(**) Term: **14 Years**

(21) Appl. No.: **29/210,309**

(22) Filed: **Jul. 29, 2004**

(51) **LOC (8) Cl.** **06-04**

(52) **U.S. Cl.** **D6/567**

(58) **Field of Classification Search** D6/553,
D6/540, 567, 574; D3/201, 304, 315, 901;
206/77.1, 5, 207, 349, 361, 363, 812; 211/13.1,
211/85.1, 85.12, 70.6, 86.01, 87.01, 119.009
See application file for complete search history.

(56) **References Cited**

U.S. PATENT DOCUMENTS

4,530,479	A	*	7/1985	Chen	206/77.1
D354,873	S	*	1/1995	Odbert	D6/553
D362,780	S	*	10/1995	Hampshire	D6/567
D407,252	S		3/1999	Hampshire		
D409,426	S	*	5/1999	Hampshire	D6/553
D413,469	S		9/1999	Hampshire		
D419,808	S	*	2/2000	Hampshire	D6/553
D481,894	S	*	11/2003	Hunt	D6/525
D483,587	S	*	12/2003	Snell	D6/567
D486,185	S	*	2/2004	Sheldon et al.	D6/553
D512,255	S	*	12/2005	Snell	D6/567

OTHER PUBLICATIONS

Housewares, sink-ware, p. 4, InterDesign, Inc. product brochure, 1998 (with front and back covers).

* cited by examiner

Primary Examiner—Brian N Vinson

(74) *Attorney, Agent, or Firm*—D. Peter Hochberg; Sean Mellino

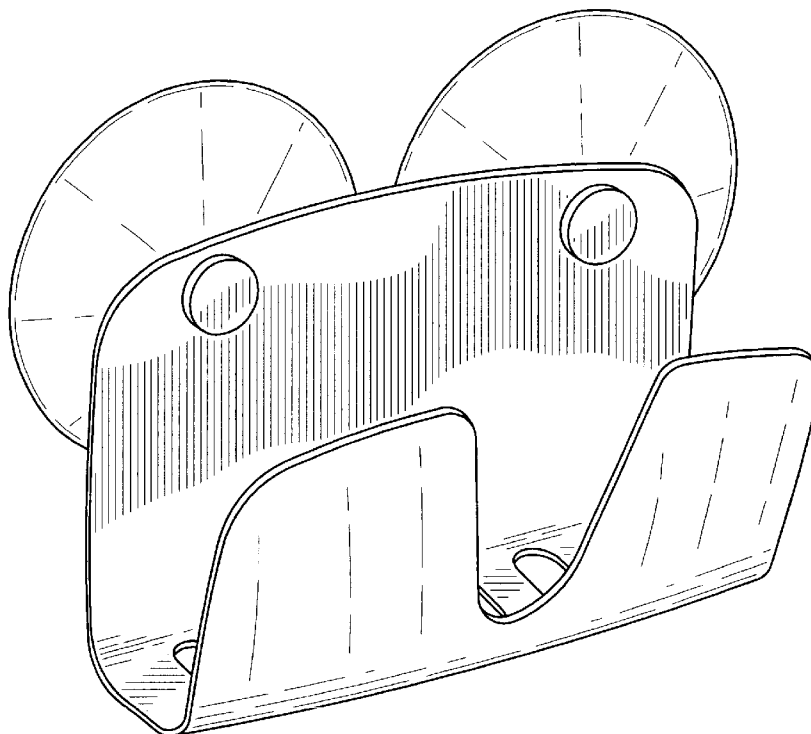
(57) **CLAIM**

The ornamental design for a suction sponge/soap holder, as shown and described.

DESCRIPTION

FIG. 1 is a perspective view of the suction sponge/soap holder according to the invention;
 FIG. 2 is a top view of the suction sponge/soap holder as shown in FIG. 1;
 FIG. 3 is a front view of the suction sponge/soap holder as shown in FIG. 1;
 FIG. 4 is a side view of the suction sponge/soap holder as shown in FIG. 1;
 FIG. 5 is a rear view of the suction sponge/soap holder as shown in FIG. 1;
 FIG. 6 is a side view of the suction sponge/soap holder as shown in FIG. 1, viewed from the opposite side of that shown in FIG. 4; and,
 FIG. 7 is a bottom view of the suction sponge/soap holder as shown in FIG. 1.

1 Claim, 3 Drawing Sheets



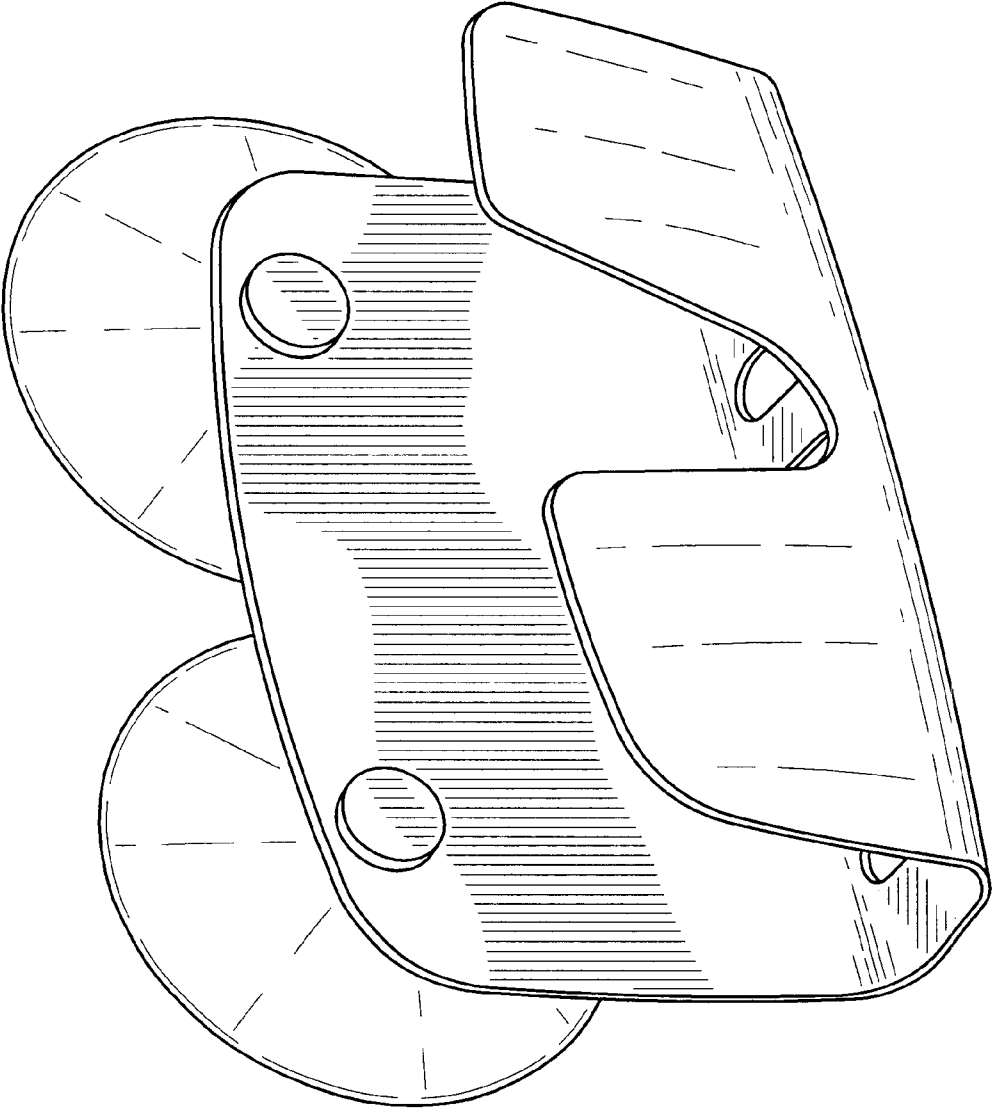


FIG-1

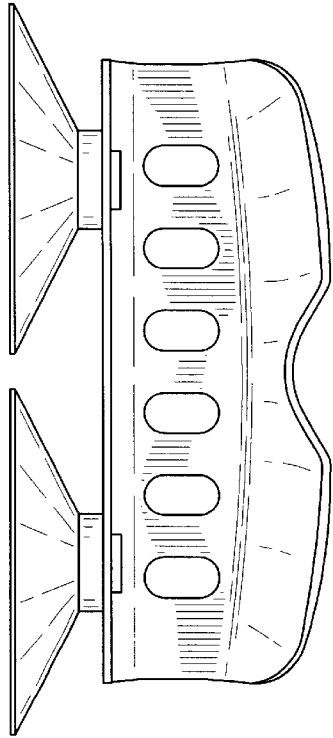


FIG-2

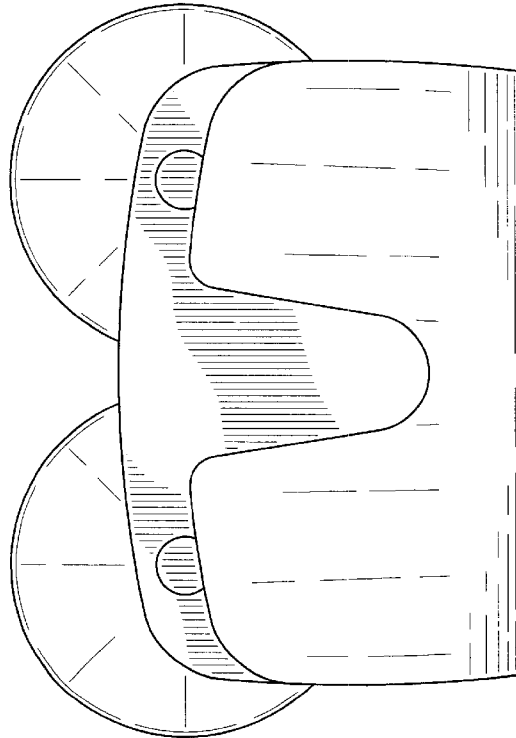


FIG-3

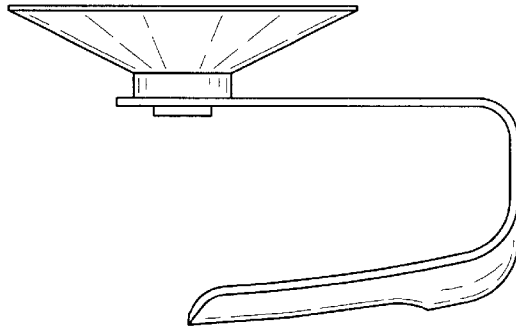


FIG-4

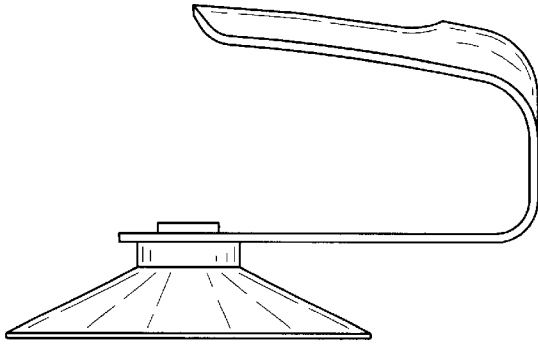


FIG-6

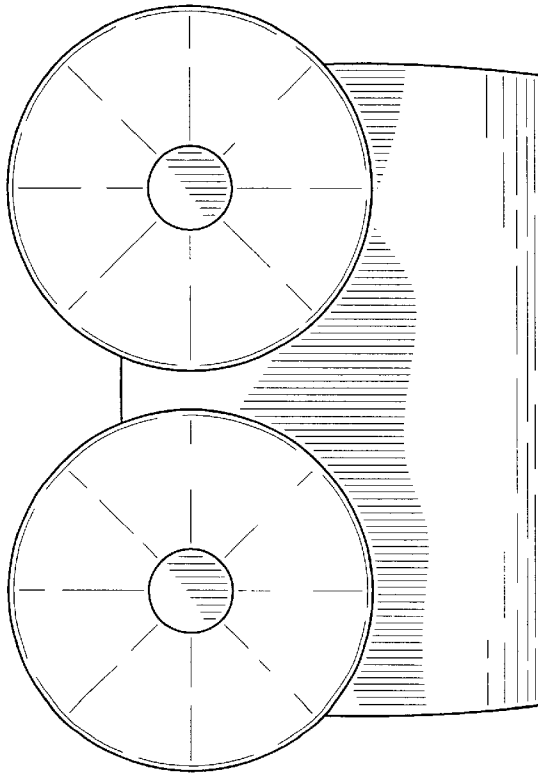


FIG-5

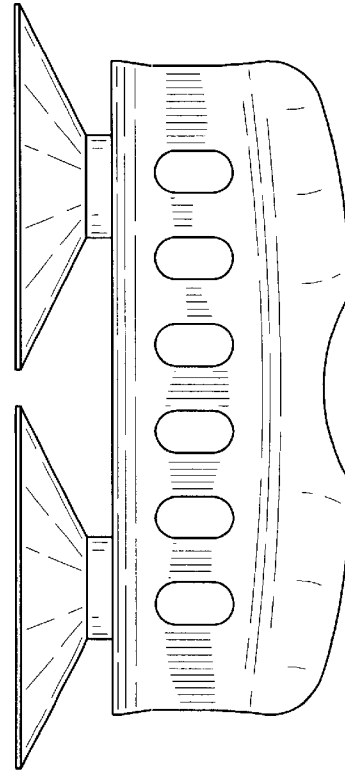


FIG-7