

(19) World Intellectual Property Organization  
International Bureau



(43) International Publication Date  
24 June 2004 (24.06.2004)

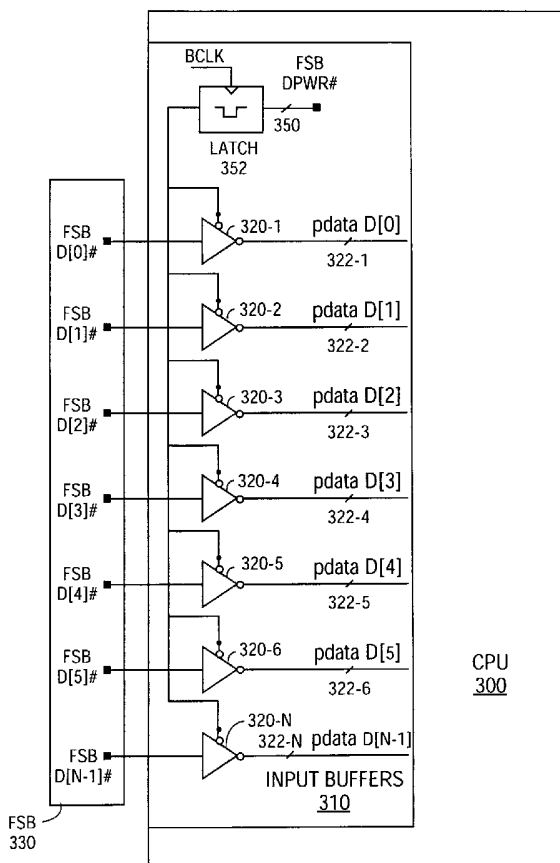
PCT

(10) International Publication Number  
WO 2004/053705 A3

- (51) International Patent Classification<sup>7</sup>: **G06F 1/32**
- (21) International Application Number: PCT/US2003/035774
- (22) International Filing Date: 10 November 2003 (10.11.2003)
- (25) Filing Language: English
- (26) Publication Language: English
- (30) Priority Data: 10/317,776 11 December 2002 (11.12.2002) US
- (71) Applicant: **INTEL CORPORATION** [US/US]; 2200 Mission College Boulevard, Santa Clara, CA 95052 (US).
- (72) Inventors: **KURTS, Tsvika**; Eder Street, #17, Ahuzah, 34752 Haifa (IL). **ORENSTEIN, Doron**; 12 Igal Alon Street, 34752 Haifa (IL). **YUFFE, Marcelo**; 18 Harofe Street, 30500 Binyamina (IL).
- (74) Agent: **MALLIE, Michael, J.**; Blakely Sokoloff Taylor & Zafman, 7th Floor, 12400 Wilshire Boulevard, Los Angeles, CA 90025 (US).
- (81) Designated States (*national*): AE, AG, AL, AM, AT, AU, AZ, BA, BB, BG, BR, BW, BY, BZ, CA, CH, CN, CO, CR, CU, CZ, DE, DK, DM, DZ, EC, EE, EG, ES, FI, GB, GD, GE, GH, GM, HR, HU, ID, IL, IN, IS, JP, KE, KG, KP, KR, KZ, LC, LK, LR, LS, LT, LU, LV, MA, MD, MG, MK, MN, MW, MX, MZ, NI, NO, NZ, OM, PG, PH, PL, PT, RO, RU, SC, SD, SE, SG, SK, SL, SY, TJ, TM, TN, TR, TT, TZ, UA, UG, UZ, VC, VN, YU, ZA, ZM, ZW.
- (84) Designated States (*regional*): ARIPO patent (BW, GH, GM, KE, LS, MW, MZ, SD, SL, SZ, TZ, UG, ZM, ZW), Eurasian patent (AM, AZ, BY, KG, KZ, MD, RU, TJ, TM), European patent (AT, BE, BG, CH, CY, CZ, DE, DK, EE, ES, FI, FR, GB, GR, HU, IE, IT, LU, MC, NL, PT, RO, SE, SI, SK, TR), OAPI patent (BF, BJ, CF, CG, CI, CM, GA, GN, GQ, GW, ML, MR, NE, SN, TD, TG).

[Continued on next page]

(54) Title: AN APPARATUS AND METHOD FOR DATA BUS POWER CONTROL



(57) Abstract: An approach for data bus power control. Data input sense amplifiers of a request agent are enabled prior to a data phase of a transaction according to a data bus power control signal. Once enabled, the data input sense amplifiers can capture data provided during the data phase of the read transaction. Accordingly, the data input sense amplifiers of the request agent are disabled according to the power control signal once the data phase of the read transaction is complete.

WO 2004/053705 A3



**Published:**

- *with international search report*
- *before the expiration of the time limit for amending the claims and to be republished in the event of receipt of amendments*

*For two-letter codes and other abbreviations, refer to the "Guidance Notes on Codes and Abbreviations" appearing at the beginning of each regular issue of the PCT Gazette.*

**(88) Date of publication of the international search report:**

9 June 2005

# INTERNATIONAL SEARCH REPORT

International Application No  
PCT/US 03/35774

**A. CLASSIFICATION OF SUBJECT MATTER**  
IPC 7 G06F1/32

According to International Patent Classification (IPC) or to both national classification and IPC

**B. FIELDS SEARCHED**

Minimum documentation searched (classification system followed by classification symbols)  
IPC 7 G06F

Documentation searched other than minimum documentation to the extent that such documents are included in the fields searched

Electronic data base consulted during the international search (name of data base and, where practical, search terms used)

EPO-Internal, WPI Data, INSPEC

**C. DOCUMENTS CONSIDERED TO BE RELEVANT**

Category °	Citation of document, with indication, where appropriate, of the relevant passages	Relevant to claim No.
X	US 6 330 679 B1 (CONARY JAMES ET AL) 11 December 2001 (2001-12-11)	1-4, 9-12, 17-21, 26-29, 35-49
Y	column 1, line 17 - line 26	53-59
A	column 1, line 64 - line 67  column 2, line 1 - line 67 column 3, line 57 - column 4, line 20 ----- -/--	5-8, 13-16, 22-25, 30-34

Further documents are listed in the continuation of box C.

Patent family members are listed in annex.

° Special categories of cited documents :

- \*A\* document defining the general state of the art which is not considered to be of particular relevance
- \*E\* earlier document but published on or after the international filing date
- \*L\* document which may throw doubts on priority claim(s) or which is cited to establish the publication date of another citation or other special reason (as specified)
- \*O\* document referring to an oral disclosure, use, exhibition or other means
- \*P\* document published prior to the international filing date but later than the priority date claimed

- \*T\* later document published after the international filing date or priority date and not in conflict with the application but cited to understand the principle or theory underlying the invention
- \*X\* document of particular relevance; the claimed invention cannot be considered novel or cannot be considered to involve an inventive step when the document is taken alone
- \*Y\* document of particular relevance; the claimed invention cannot be considered to involve an inventive step when the document is combined with one or more other such documents, such combination being obvious to a person skilled in the art.
- \*&\* document member of the same patent family

Date of the actual completion of the international search

15 April 2005

Date of mailing of the international search report

22/04/2005

Name and mailing address of the ISA

European Patent Office, P.B. 5818 Patentlaan 2  
NL - 2280 HV Rijswijk  
Tel. (+31-70) 340-2040, Tx. 31 651 epo nl,  
Fax: (+31-70) 340-3016

Authorized officer

Nguyen Xuan Hiep, C

INTERNATIONAL SEARCH REPORT

International Application No  
PCT/US 03/35774

C.(Continuation) DOCUMENTS CONSIDERED TO BE RELEVANT

Category °	Citation of document, with indication, where appropriate, of the relevant passages	Relevant to claim No.
Y	EP 0 932 097 A (FUJITSU LIMITED) 28 July 1999 (1999-07-28)	53-59
A	column 1, line 21 - line 40 column 4, line 4 - line 56 column 6, line 7 - column 7, line 31 abstract; figure 4	1-42
A	----- US 5 915 121 A (WAGNER ET AL) 22 June 1999 (1999-06-22) column 2, line 34 - line 64 abstract; figure 1 -----	1-42, 53-59

# INTERNATIONAL SEARCH REPORT

Information on patent family members

International application No PCT/US 03/35774
---

Patent document cited in search report	Publication date	Publication date	Patent family member(s)	Publication date
US 6330679	B1	11-12-2001	TW 432793 B	01-05-2001
EP 0932097	A	28-07-1999	JP 11212687 A	06-08-1999
			EP 0932097 A1	28-07-1999
			TW 469378 B	21-12-2001
			US 6073195 A	06-06-2000
US 5915121	A	22-06-1999	DE 19617172 A1	06-11-1997
			EP 0805387 A1	05-11-1997