

(19) World Intellectual Property Organization
International Bureau



(43) International Publication Date
10 February 2005 (10.02.2005)

PCT

(10) International Publication Number
WO 2005/011465 A3

(51) International Patent Classification⁷: A61B 18/04, 18/18

(21) International Application Number: PCT/US2004/022176

(22) International Filing Date: 12 July 2004 (12.07.2004)

(25) Filing Language: English

(26) Publication Language: English

(30) Priority Data: 10/633,031 1 August 2003 (01.08.2003) US

(71) Applicant (for all designated States except US): NEOTHERMIA CORPORATION [US/US]; One Apple Hill, Suite 316, Natick, MA 01760 (US).

(72) Inventors; and

(75) Inventors/Applicants (for US only): EGGERS, Philip, E. [US/US]; 5366 Reserve Drive, Dublin, OH 43217 (US). KOCIECKI, John [US/US]; 8647 Gosling Way, Powell, Ohio 43017 (US). MAYERCHAK, Mark, A. [US/US]; 18323 51st Avenue, Bothell, WA 98012 (US).

(74) Agents: BURKE, Diane, E. et al.; Mueller and Smith, LPA, 7700 Rivers Edge Drive, Columbus, OH 43235 (US).

(81) Designated States (unless otherwise indicated, for every kind of national protection available): AE, AG, AL, AM,

AT, AU, AZ, BA, BB, BG, BR, BW, BY, BZ, CA, CH, CN, CO, CR, CU, CZ, DE, DK, DM, DZ, EC, EE, EG, ES, FI, GB, GD, GE, GH, GM, HR, HU, ID, IL, IN, IS, JP, KE, KG, KP, KR, KZ, LC, LK, LR, LS, LT, LU, LV, MA, MD, MG, MK, MN, MW, MX, MZ, NA, NI, NO, NZ, OM, PG, PH, PL, PT, RO, RU, SC, SD, SE, SG, SK, SL, SY, TJ, TM, TN, TR, TT, TZ, UA, UG, US, UZ, VC, VN, YU, ZA, ZM, ZW.

(84) Designated States (unless otherwise indicated, for every kind of regional protection available): ARIPO (BW, GH, GM, KE, LS, MW, MZ, NA, SD, SL, SZ, TZ, UG, ZM, ZW), Eurasian (AM, AZ, BY, KG, KZ, MD, RU, TJ, TM), European (AT, BE, BG, CH, CY, CZ, DE, DK, EE, ES, FI, FR, GB, GR, HU, IE, IT, LU, MC, NL, PL, PT, RO, SE, SI, SK, TR), OAPI (BF, BJ, CF, CG, CI, CM, GA, GN, GQ, GW, ML, MR, NE, SN, TD, TG).

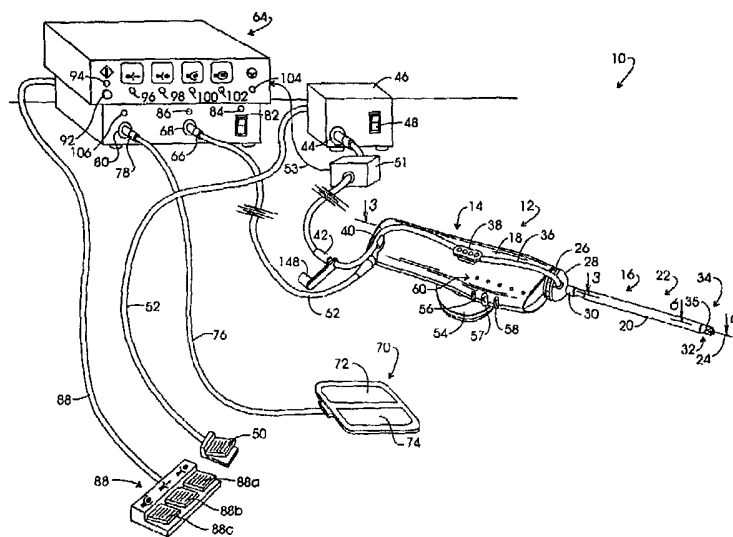
Published:

- with international search report
- before the expiration of the time limit for amending the claims and to be republished in the event of receipt of amendments

(88) Date of publication of the international search report: 6 October 2005

For two-letter codes and other abbreviations, refer to the "Guidance Notes on Codes and Abbreviations" appearing at the beginning of each regular issue of the PCT Gazette.

(54) Title: ELECTROSURGICAL GENERATOR



(57) Abstract: An electrosurgical generator which provides a constant power output particularly suited for cutting arc formation at an active electrode which exhibits a dynamic active surface area of varying geometry. Essentially constant power-based control is achieved through the utilization of a d.c. link voltage the level of which functions to establish the amplitude of the output of an RF resonant inverter. A dual loop feedback control is described wherein output power based control signals are slowly introduced at low gain, while link voltage based controls are comparatively rapidly applied. Enhanced development of a controlling d.c. link voltage is achieved through the utilization of an input network incorporating a power factor correction stage.

WO 2005/011465 A3

INTERNATIONAL SEARCH REPORT

International application No.

PCT/US04/22176

A. CLASSIFICATION OF SUBJECT MATTER IPC(7) : A61B 18/04, 18/18 US CL : 606/34, 37-40 According to International Patent Classification (IPC) or to both national classification and IPC			
B. FIELDS SEARCHED Minimum documentation searched (classification system followed by classification symbols) U.S. : 606/34, 37-40 Documentation searched other than minimum documentation to the extent that such documents are included in the fields searched Electronic data base consulted during the international search (name of data base and, where practicable, search terms used) NONE			
C. DOCUMENTS CONSIDERED TO BE RELEVANT			
Category *	Citation of document, with indication, where appropriate, of the relevant passages	Relevant to claim No.	
A	US 3,952,748 A (Kaliher et al.) 27 April 1976 (27.04.1976), See entire document.	1-64	
A	US 5,647,869 A (Goble et al.) 15 July 1997 (15.07.1997), See entire document.	1-64	
A	US 6,416,509 B1 (Goble et al.) 09 July 2002 (09.07.2002), See entire document.	1-64	
<input type="checkbox"/> Further documents are listed in the continuation of Box C. <input type="checkbox"/> See patent family annex.			
* Special categories of cited documents:		"T" later document published after the international filing date or priority date and not in conflict with the application but cited to understand the principle or theory underlying the invention	
"A"	document defining the general state of the art which is not considered to be of particular relevance	"X"	document of particular relevance; the claimed invention cannot be considered novel or cannot be considered to involve an inventive step when the document is taken alone
"B"	earlier application or patent published on or after the international filing date	"Y"	document of particular relevance; the claimed invention cannot be considered to involve an inventive step when the document is combined with one or more other such documents, such combination being obvious to a person skilled in the art
"L"	document which may throw doubts on priority claim(s) or which is cited to establish the publication date of another citation or other special reason (as specified)	"&"	document member of the same patent family
"O"	document referring to an oral disclosure, use, exhibition or other means		
"P"	document published prior to the international filing date but later than the priority date claimed		
Date of the actual completion of the international search 09 February 2005 (09.02.2005)		Date of mailing of the international search report 27 JUL 2005	
Name and mailing address of the ISA/US Mail Stop PCT, Attn: ISA/US Commissioner for Patents P.O. Box 1450 Alexandria, Virginia 22313-1450 Facsimile No. (703) 305-3230		Authorized officer Linda Sholl <i>Sharon N. Greene for</i> Telephone No. 703-308-1078	