



(12) **United States Design Patent**
Wengreen

(10) **Patent No.:** **US D749,549 S**
(45) **Date of Patent:** **** Feb. 16, 2016**

(54) **MOUNT FOR ELECTRONIC DEVICES**

(56) **References Cited**

(71) Applicant: **Innovelis, Inc.**, Sammamish, WA (US)

U.S. PATENT DOCUMENTS

(72) Inventor: **Eric John Wengreen**, Sammamish, WA (US)

D242,766	S	*	12/1976	Neece	D8/354
4,158,450	A	*	6/1979	Suzuki	248/694
4,467,244	A	*	8/1984	Dickie	315/3
5,227,582	A	*	7/1993	Velasco et al.	174/372
5,385,282	A	*	1/1995	Chen	224/669
D359,616	S	*	6/1995	Ishibashi et al.	D3/218
D409,079	S	*	5/1999	Sobczynski	D8/354
6,193,546	B1	*	2/2001	Sadler	439/534
6,554,527	B1	*	4/2003	O'Donnell et al.	403/353
D508,605	S	*	8/2005	Hwang et al.	D3/218
D529,713	S	*	10/2006	Guyot et al.	D3/218
D536,239	S	*	2/2007	Tallman	D8/354
D609,030	S	*	2/2010	Barabas et al.	D14/238
7,980,435	B2	*	7/2011	Tages	224/269
2005/0023419	A1	*	2/2005	Frankel	248/206.3
2007/0097617	A1	*	5/2007	Searby et al.	361/686
2007/0235609	A1	*	10/2007	Chun et al.	248/231.9
2012/0312950	A1	*	12/2012	Sears	248/316.5

(73) Assignee: **Innovelis, Inc.**, Sammamish, WA (US)

(**) Term: **15 Years**

(21) Appl. No.: **29/532,043**

(22) Filed: **Jul. 1, 2015**

Related U.S. Application Data

(63) Continuation of application No. 29/487,748, filed on Apr. 11, 2014, now Pat. No. Des. 734,305, and a continuation of application No. 29/502,125, filed on Sep. 11, 2014, now Pat. No. Des. 735,174, and a continuation of application No. 14/572,293, filed on Dec. 16, 2014.

(51) **LOC (10) Cl.** **14-01**

(52) **U.S. Cl.**

USPC **D14/238.1**; D14/238; D8/349

(58) **Field of Classification Search**

USPC D8/380, 349, 381, 373, 354, 363, 355; D14/432, 434, 447, 357, 299, 496, D14/203.1-203.8, 238.1; 224/246, 250, 224/269, 901.4, 930, 669, 242; 248/127, 248/307, 309.1, 918; 348/836, 843, 373, 348/376, 825

CPC H05K 5/0204; H05K 7/14; F16M 13/02; H04N 5/655; H04N 5/64; G06F 1/1601; G06F 1/16; A45F 5/00; A45F 5/021; A45F 2200/0516; A45F 2200/0508; A45F 2200/0525

See application file for complete search history.

* cited by examiner

Primary Examiner — Mark Goodwin

(57) **CLAIM**

The ornamental design for a mount for electronic devices, as shown and described.

DESCRIPTION

FIG. 1 is a front, side, and top perspective view of a mount for electronic devices embodying the new design.

FIG. 2 is a back, side, and bottom perspective view thereof.

FIG. 3 is a front view thereof.

FIG. 4 is a back view thereof.

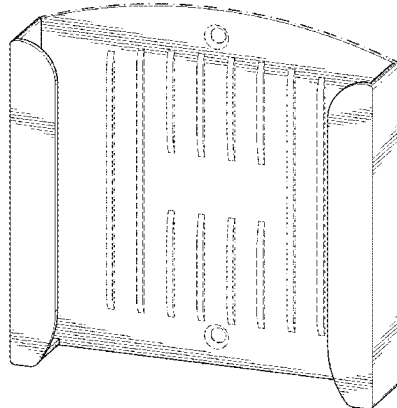
FIG. 5 is a top view thereof.

FIG. 6 is a bottom view thereof; and,

FIG. 7 is a first side view thereof, the second side view being a mirror image.

The dot-dash lines form an unclaimed boundary of the claim. The dot-dash lines and the other broken lines form no part of the claimed design.

1 Claim, 3 Drawing Sheets



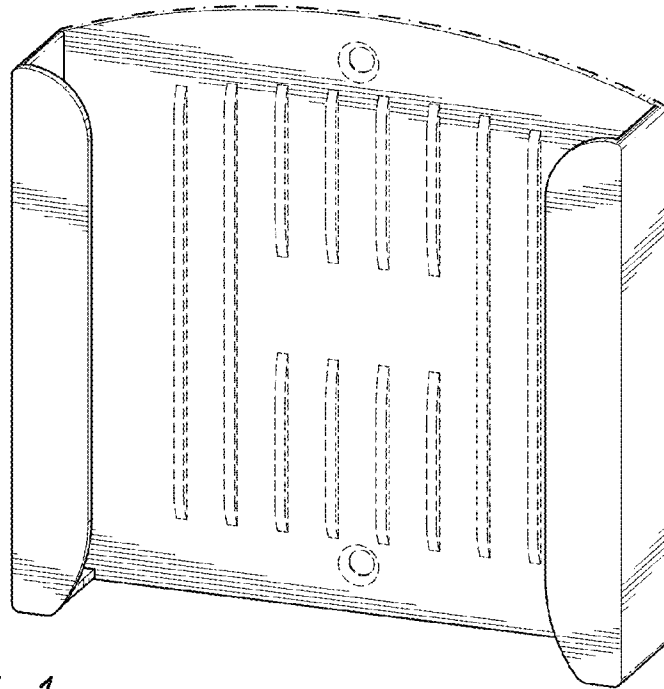


FIG. 1

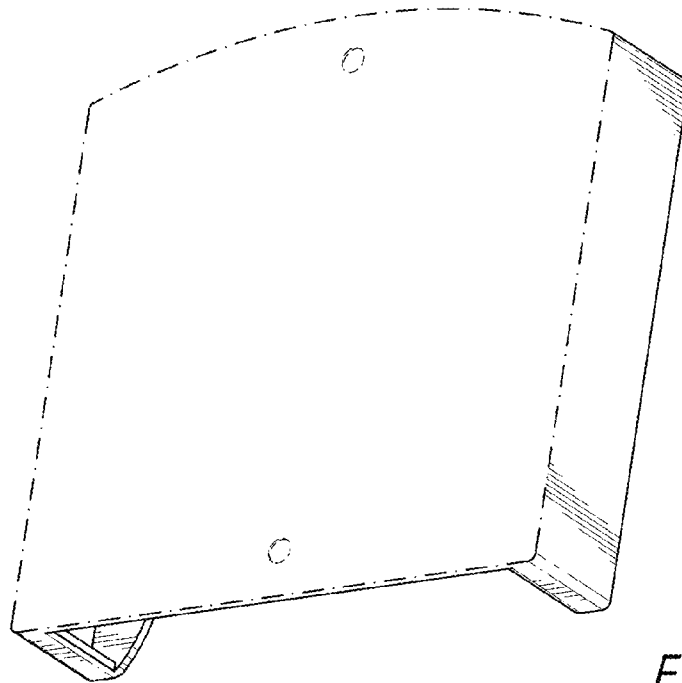


FIG. 2

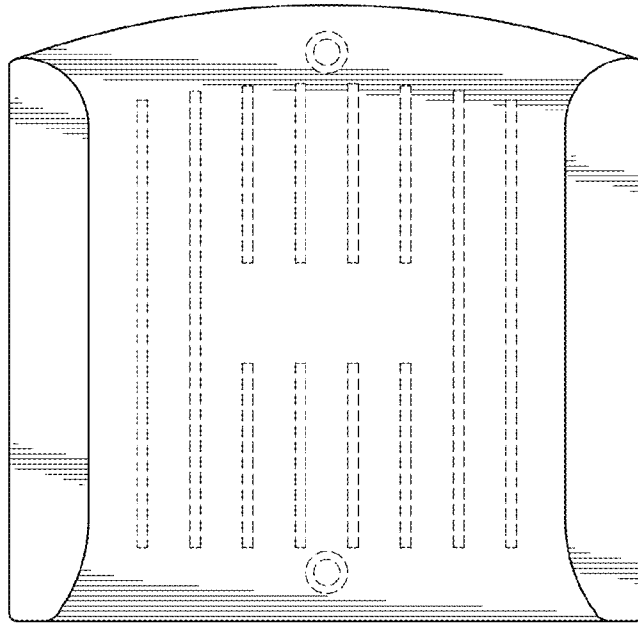


FIG. 3

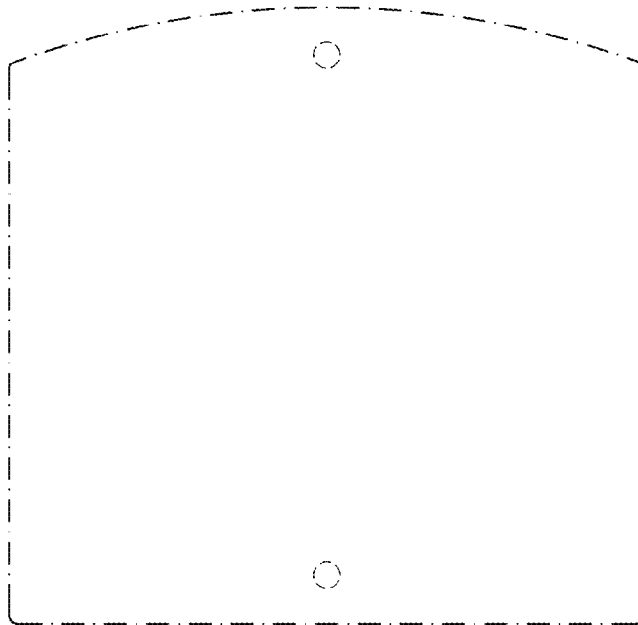


FIG. 4

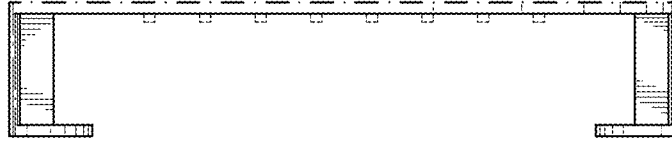


FIG. 5

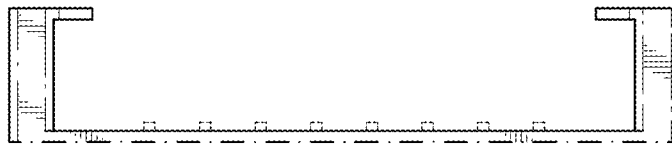


FIG. 6

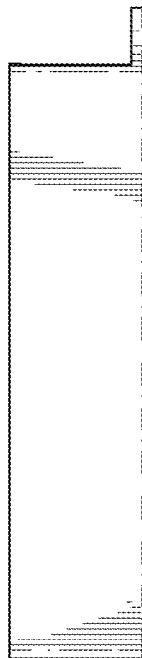


FIG. 7