



US0D1069175S

(12) **United States Design Patent**
Yu

(10) **Patent No.:** **US D1,069,175 S**

(45) **Date of Patent:** **** Apr. 1, 2025**

(54) **FOLDING LADDER**

D872,876 S 1/2020 Leng
D903,905 S * 12/2020 Leng D25/65
D968,107 S * 11/2022 Johnson D6/350

(71) Applicant: **Wenting Yu**, Yongkang (CN)

* cited by examiner

(72) Inventor: **Wenting Yu**, Yongkang (CN)

Primary Examiner — Gino Colan

(**) Term: **15 Years**

(74) *Attorney, Agent, or Firm* — Jeenam Park

(21) Appl. No.: **29/974,721**

(22) Filed: **Nov. 25, 2024**

(57) **CLAIM**

The ornamental design for a folding ladder, as shown and described.

(30) **Foreign Application Priority Data**

Jul. 11, 2024 (CN) 202430434399.9

(51) **LOC (15) Cl.** **06-01**

(52) **U.S. Cl.**
USPC **D6/353**

(58) **Field of Classification Search**
USPC D6/353; D25/62, 63, 64, 65
CPC . E06C 1/32; E06C 1/383; E06C 1/393; E06C
1/39; E06C 9/085; E06C 1/14; E06C 5/04
See application file for complete search history.

DESCRIPTION

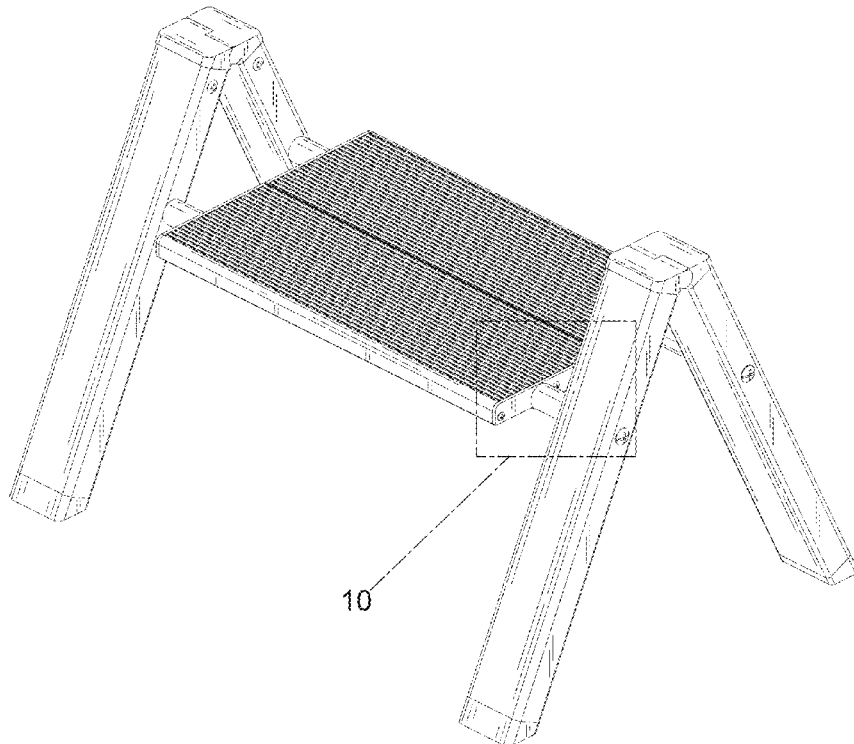
FIG. 1 is a front, right and top perspective view of a folding ladder, showing my new design;
FIG. 2 is a rear, left and bottom perspective view thereof;
FIG. 3 is a front view thereof;
FIG. 4 is a rear view thereof;
FIG. 5 is a left side view thereof;
FIG. 6 is a right side view thereof;
FIG. 7 is a top plan view thereof;
FIG. 8 is a bottom plan view thereof;
FIG. 9 is a front, right and top perspective view in folded status thereof;
FIG. 10 is an enlarged view of portion 10 of FIG. 1 thereof; and,
FIG. 11 is an enlarged view of portion 11 of FIG. 2 thereof.
The broken lines shown in the drawings illustrate portions of the folding ladder that form no part of the claimed design. The dot-dash broken lines depict the boundaries of the enlargements that form no part of the claimed design.

(56) **References Cited**

U.S. PATENT DOCUMENTS

4,485,892 A * 12/1984 Maloney E06C 1/393
182/162
5,762,163 A * 6/1998 Kain E06C 1/393
182/162
6,347,687 B1 * 2/2002 Alim E06C 1/393
182/159
D644,032 S * 8/2011 Eveleth D6/353

1 Claim, 11 Drawing Sheets



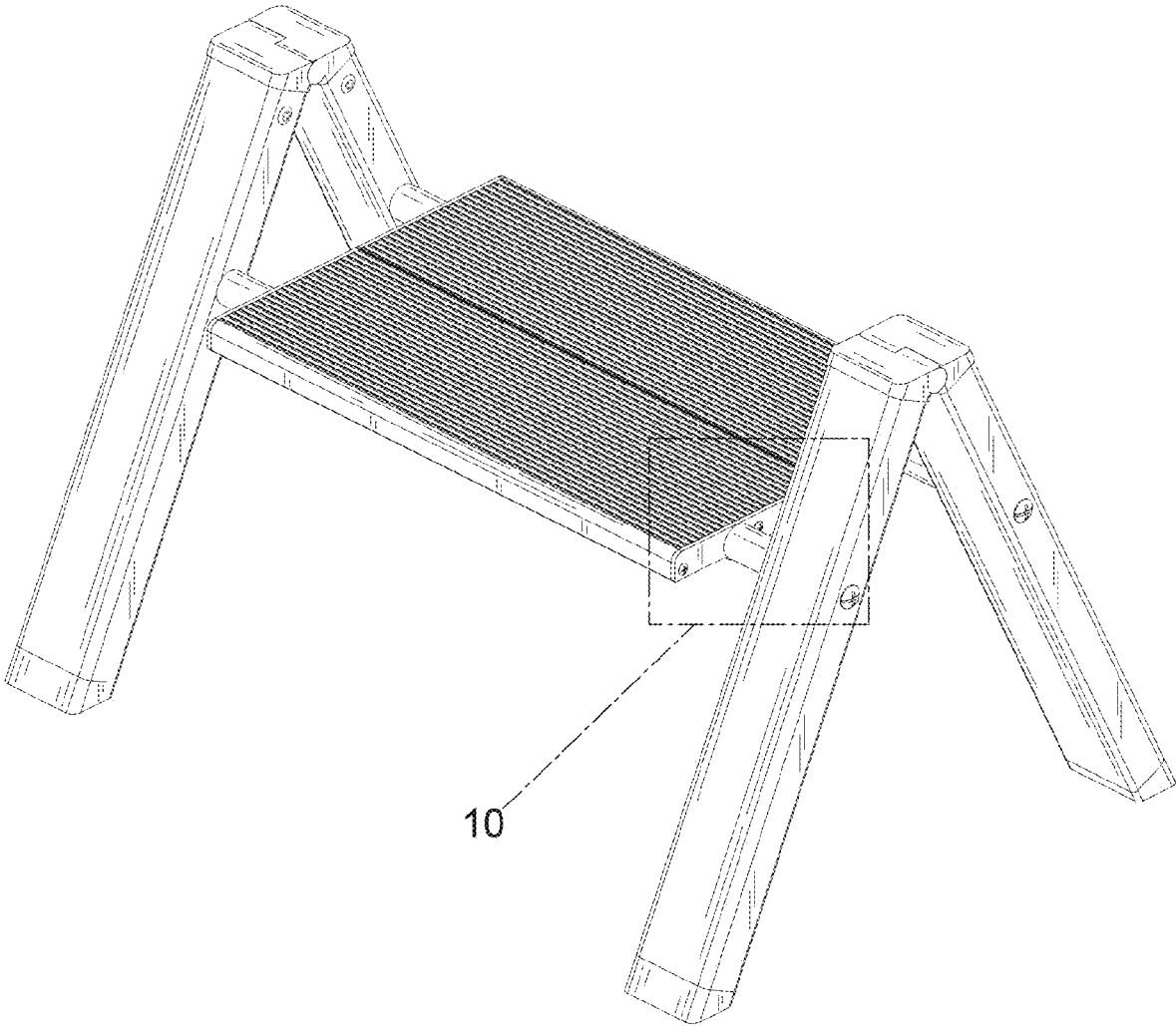


FIG. 1

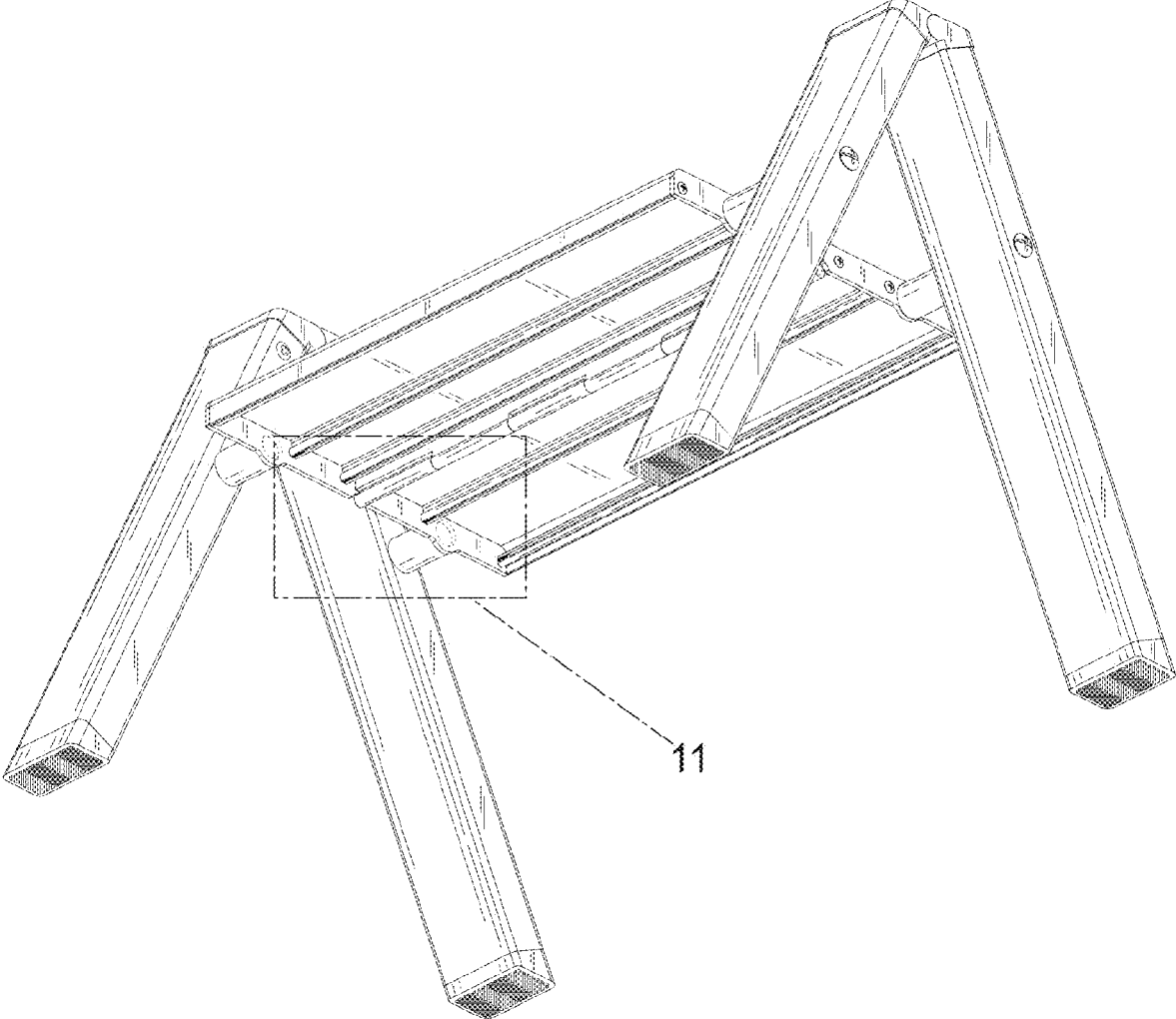


FIG. 2

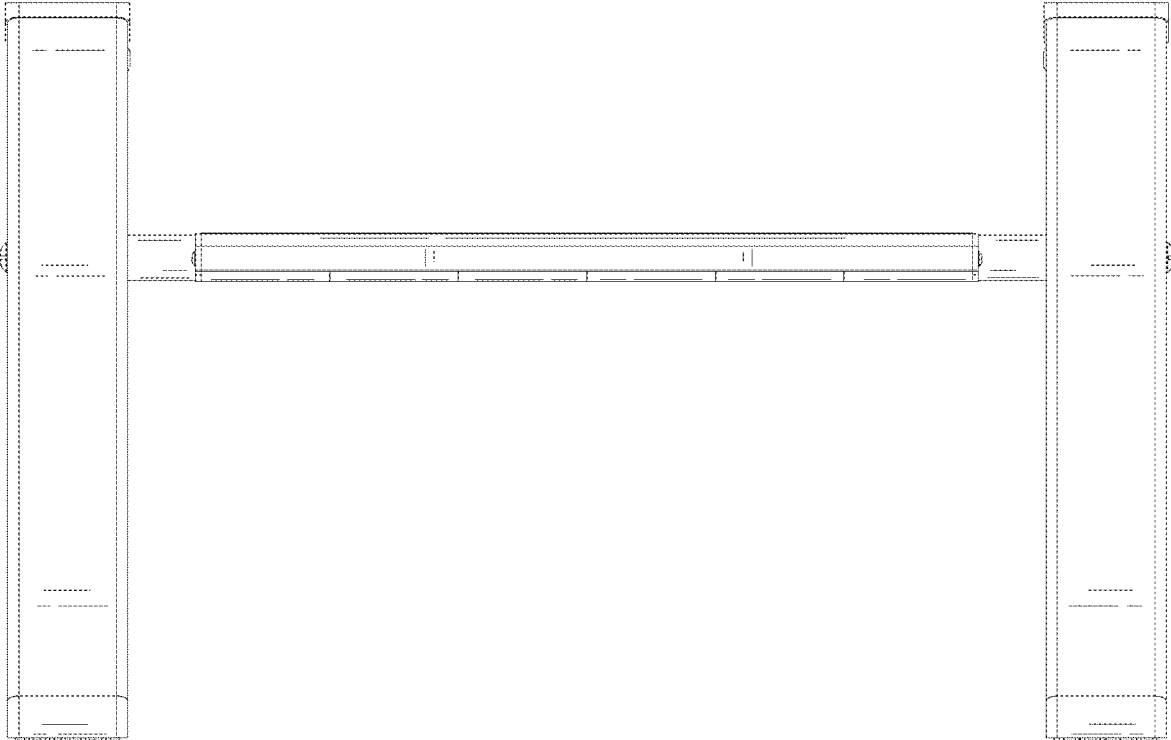


FIG. 3

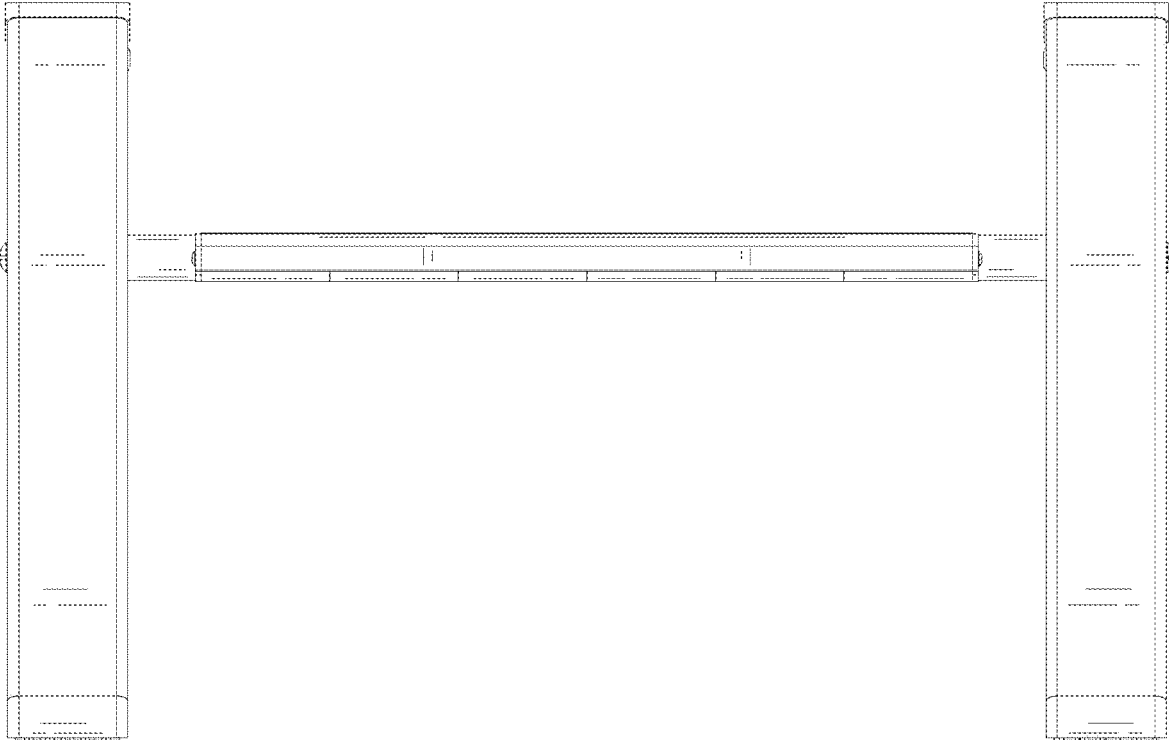


FIG. 4

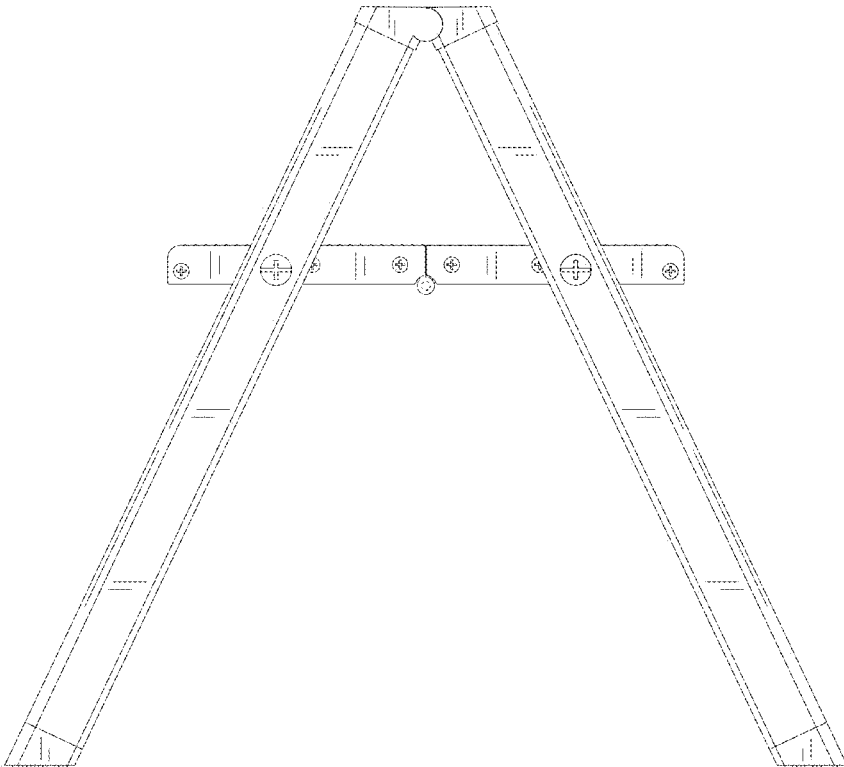


FIG. 5

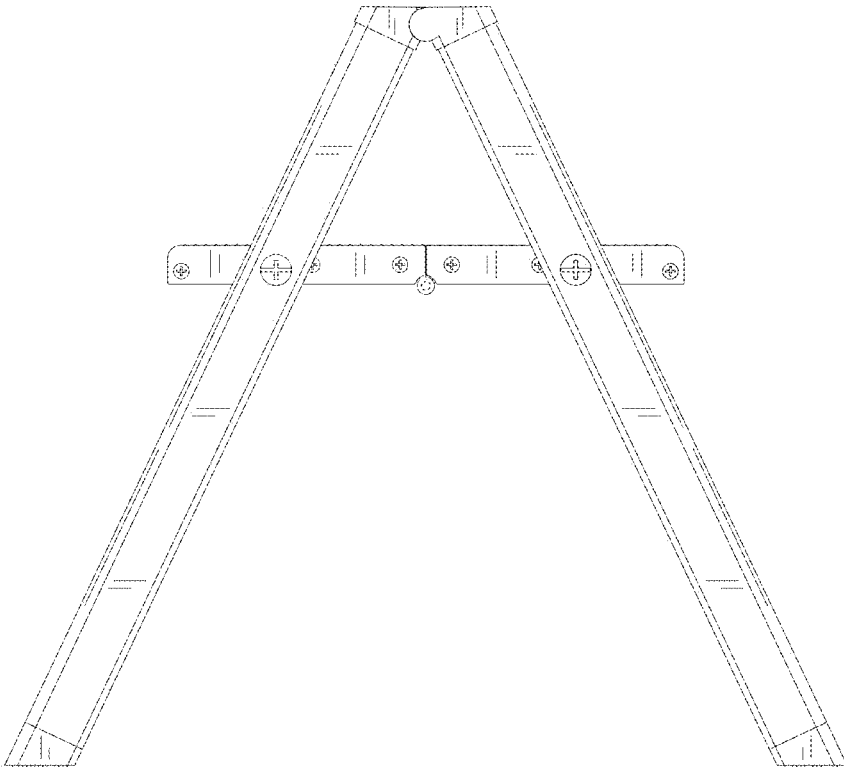


FIG. 6

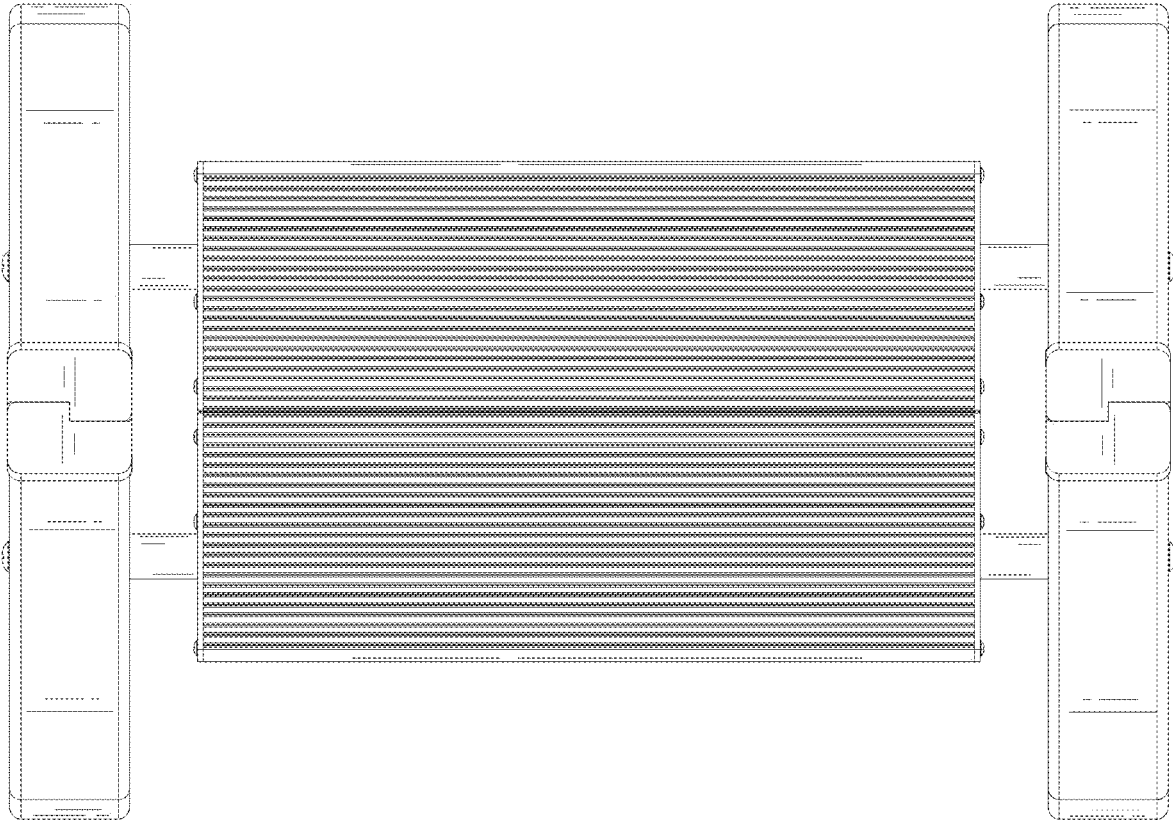


FIG. 7

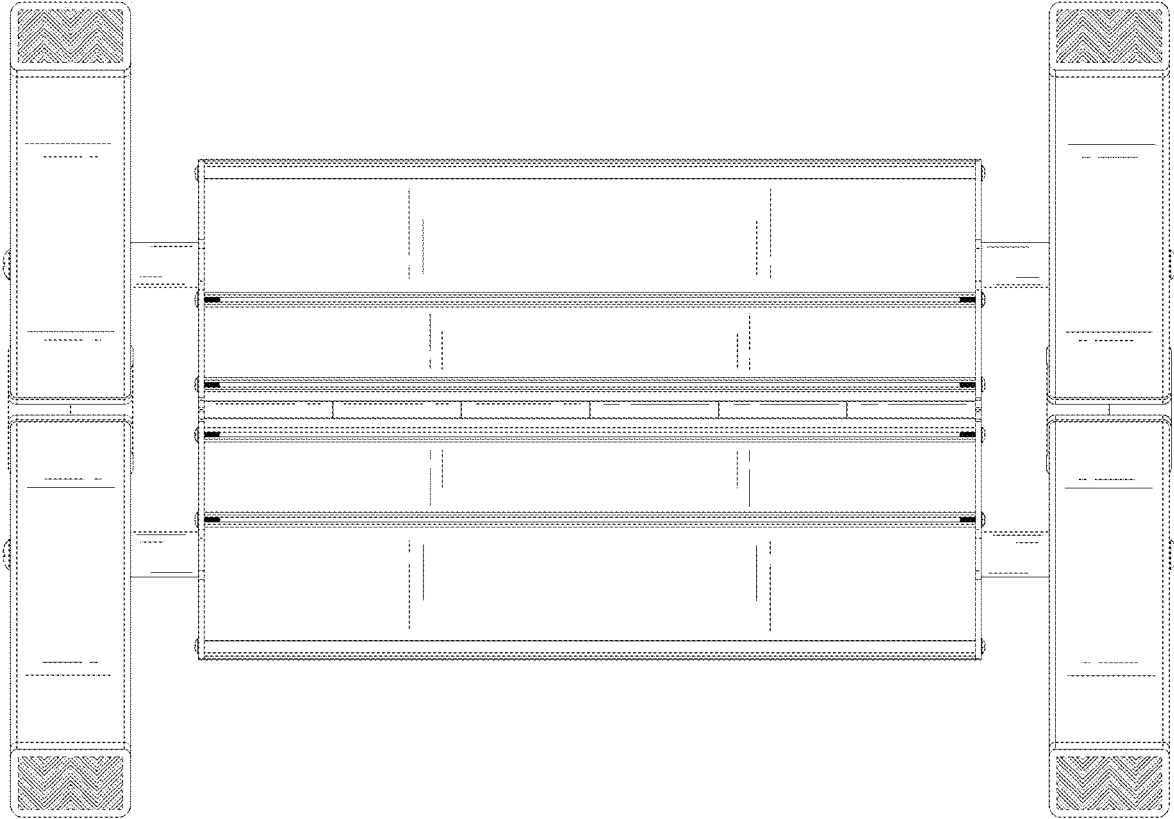


FIG. 8

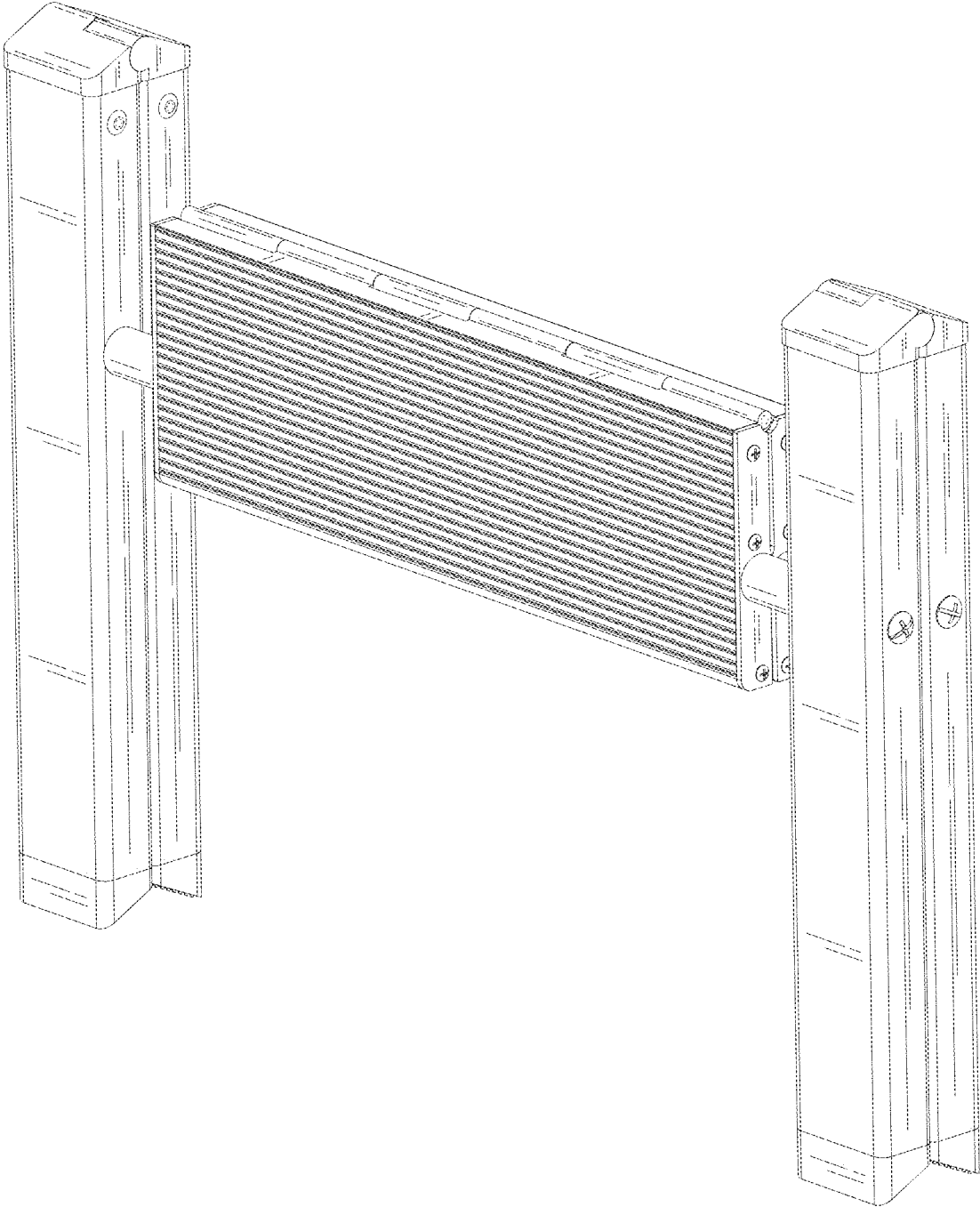


FIG. 9

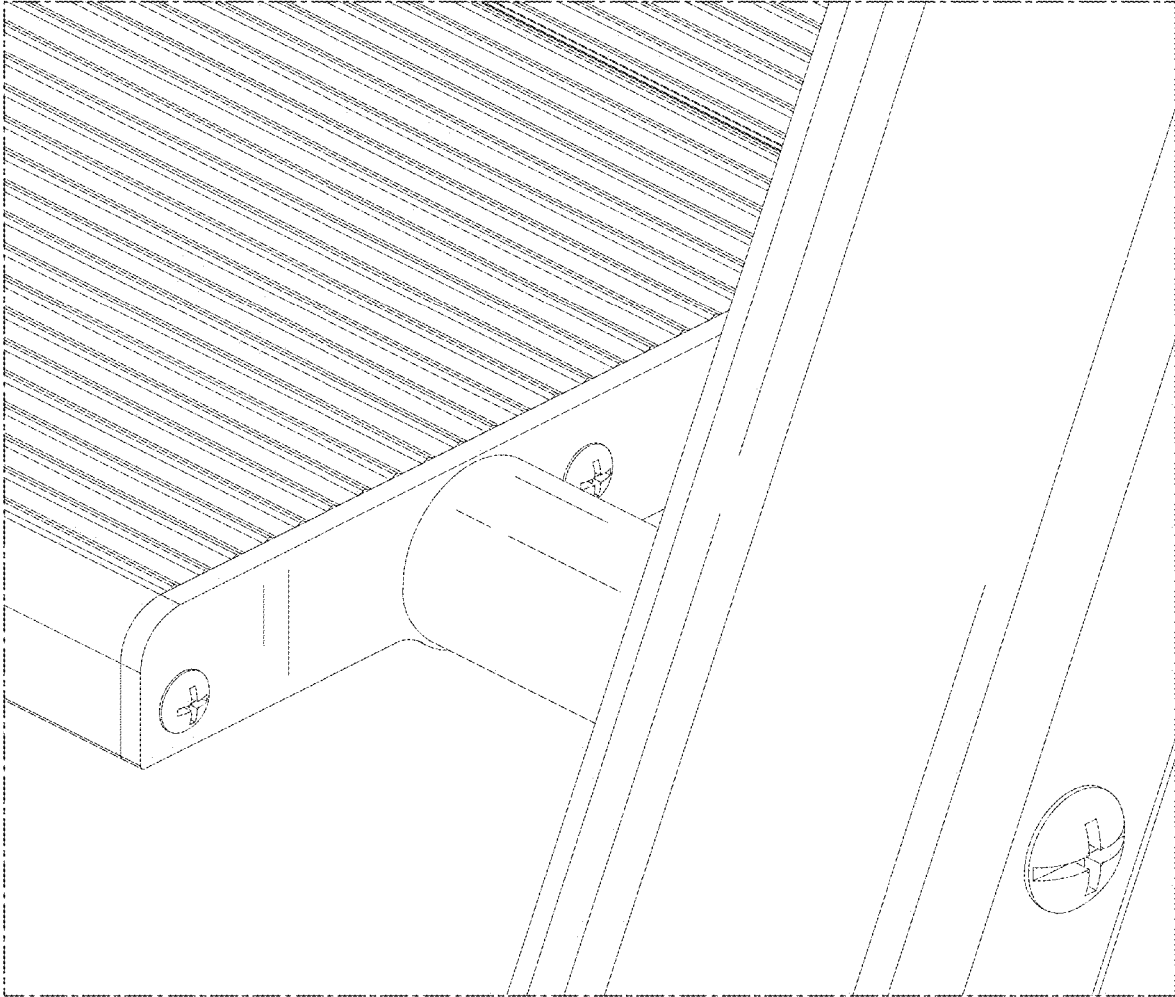


FIG. 10

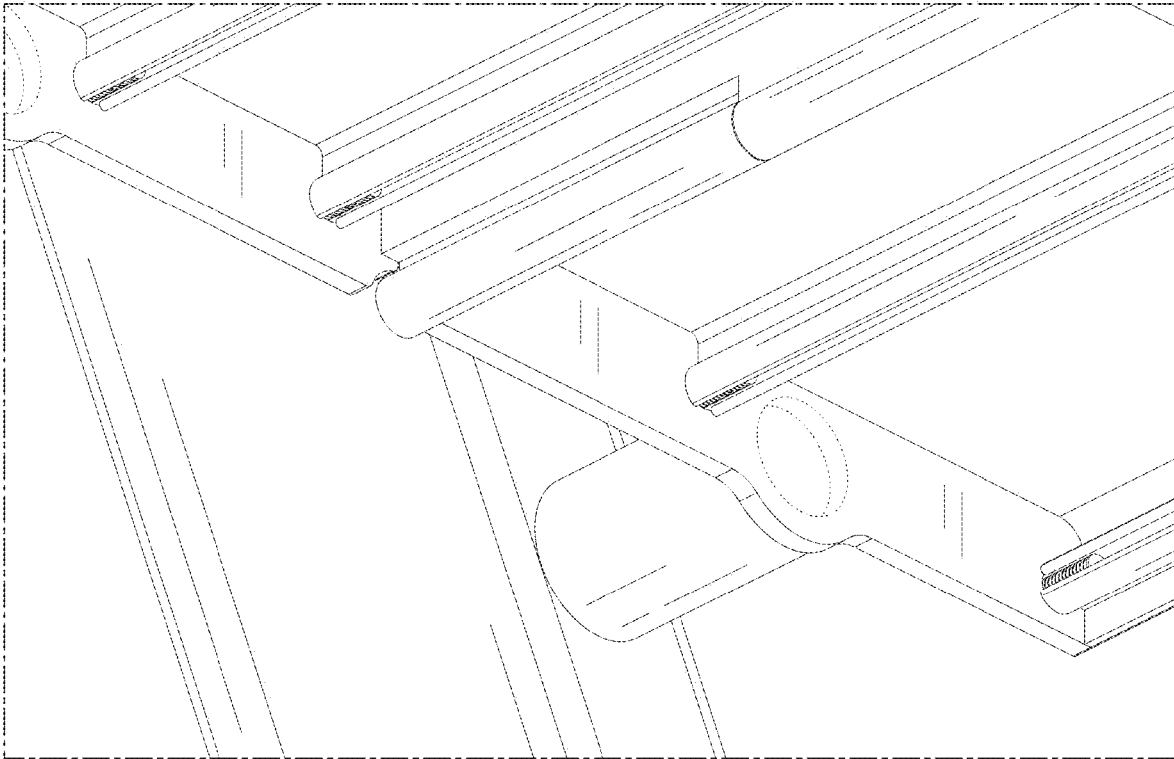


FIG. 11