

Sept. 4, 1923.

Des. 63,010

A. SCHNITKER

LAMP

Filed Dec. 4, 1922

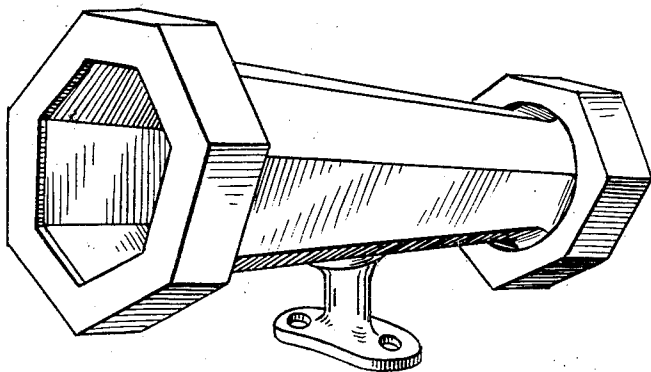


Fig. 1.

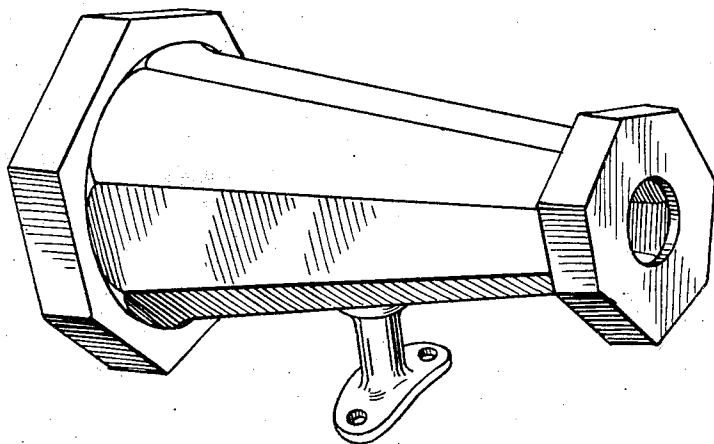


Fig. 2.

INVENTOR:

Alfred Schnitker

BY

Allan F. Allen
ATTORNEYS.

UNITED STATES PATENT OFFICE.

ALFRED SCHNITKER, OF CINCINNATI, OHIO, ASSIGNOR TO GEORGE S. WILKYMACKY,
OF CINCINNATI, OHIO.

DESIGN FOR A LAMP.

Application filed December 4, 1922. Serial No. 4,492. Term of patent $3\frac{1}{2}$ years.

To all whom it may concern:

Be it known that I, ALFRED SCHNITKER, a citizen of the United States, residing at Cincinnati, in the county of Hamilton and State of Ohio, have invented a new, original, and ornamental Design for Lamps, of which the following is a specification, reference being had to the accompanying drawing, forming part thereof.

Figure 1 is a perspective view of the lamp taken from the front.

Figure 2 is a similar view taken from the rear.

I claim:—

The ornamental design for a lamp, as shown.

ALFRED SCHNITKER.