



US00D647685S

(12) **United States Design Patent**  
**Atkins**

(10) **Patent No.:** **US D647,685 S**

(45) **Date of Patent:** **\*\* Oct. 25, 2011**

(54) **BLOCK PALLET**  
(75) Inventor: **Thomas Atkins**, Newport Beach, CA (US)  
(73) Assignee: **Plastics Research Corporation**, Ontario, CA (US)

(\*\*) Term: **14 Years**

(21) Appl. No.: **29/378,227**

(22) Filed: **Nov. 1, 2010**

(51) **LOC (9) Cl.** ..... **09-08**

(52) **U.S. Cl.** ..... **D34/38**

(58) **Field of Classification Search** ..... D34/38;  
108/51.11, 51.3, 52.1, 53.1, 53.3, 55.3, 56.1,  
108/57.1

See application file for complete search history.

(56) **References Cited**

**U.S. PATENT DOCUMENTS**

0,921,192 A	5/1909	Wheeler
D82,642 S	11/1930	Rush
1,784,909 A	12/1930	Romine
1,953,303 A	4/1934	Kohlmann
2,128,118 A	8/1938	Burford
2,229,536 A	1/1941	Wilkich
D133,106 S	7/1942	Phillips
2,338,645 A	1/1944	James
2,371,106 A	3/1945	Lewis et al.
2,444,183 A	6/1948	Cahners
2,463,214 A	3/1949	Stoner
D154,451 S	5/1949	Wyatt
2,493,562 A	1/1950	Tannan
2,544,743 A	3/1951	Vrabcak
2,643,080 A	6/1953	Vogel
2,668,681 A	2/1954	Happen
2,673,052 A	3/1954	Kisch
2,745,523 A	5/1956	Biggs
2,774,490 A	12/1956	Strong
2,906,481 A	9/1959	Parker
D190,210 S	4/1961	Angier
2,991,965 A	7/1961	Walters

3,000,603 A	9/1961	Hemann
3,026,078 A	3/1962	Simkins
3,036,802 A	5/1962	Kitchell
3,079,876 A	3/1963	Doane
3,104,085 A	9/1963	Skladany
3,111,689 A	11/1963	Mulhauser
3,112,715 A	12/1963	Callahan et al.
3,123,020 A	3/1964	Voissem
3,131,655 A	5/1964	Sellers
3,140,672 A	7/1964	DeLuca
3,148,637 A	9/1964	Uad
3,192,099 A	6/1965	Beckman
3,199,469 A	8/1965	Sullivan
3,246,824 A	4/1966	Gardner
3,251,321 A	5/1966	Budd

(Continued)

**FOREIGN PATENT DOCUMENTS**

DE 836401 C 4/1952

(Continued)

*Primary Examiner* — Cynthia Ramirez

(74) *Attorney, Agent, or Firm* — Patent Procurement Services

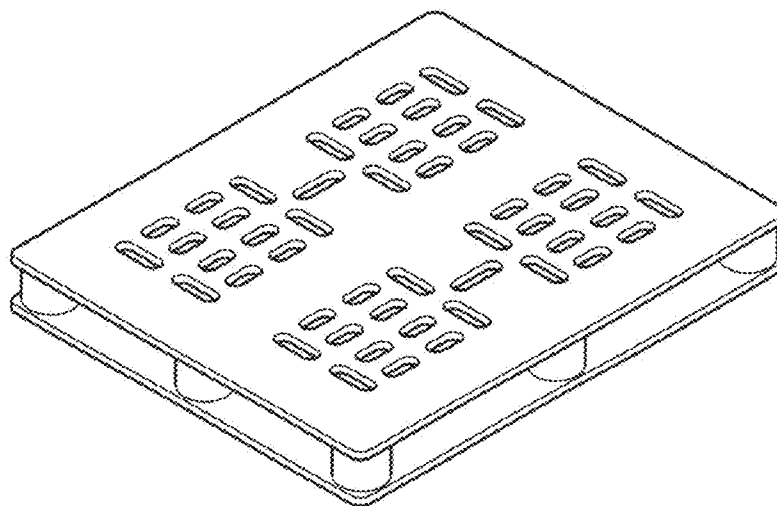
(57) **CLAIM**

The ornamental design for a block pallet, as shown and described.

**DESCRIPTION**

FIG. 1 is a perspective top view of a block pallet showing my new design;  
FIG. 2 is a top plan view thereof;  
FIG. 3 is a side view, with the other side being identical thereof;  
FIG. 4 is a front view, with the rear being identical thereof;  
FIG. 5 is a perspective bottom view thereof; and,  
FIG. 6 is a bottom plan view thereof.  
The broken lines shown in FIGS. 5 and 6 are included for the purpose of illustrating environment and form no part of the claimed design.

**1 Claim, 2 Drawing Sheets**



# US D647,685 S

## U.S. PATENT DOCUMENTS

3,251,322	A	5/1966	Downs	
3,267,882	A	8/1966	Nicholson	
3,269,336	A	8/1966	Naylor	
3,272,158	A	9/1966	Barnum	
3,294,040	A	12/1966	Gregoire	
3,302,593	A	2/1967	Roberts	
3,393,646	A	7/1968	Giacobe	
3,430,586	A	3/1969	Oswald	
3,433,184	A	3/1969	Addy	
3,470,663	A	10/1969	Tate	
3,511,191	A	5/1970	Barry, Jr. et al.	
D217,861	S	6/1970	Bailee	
3,531,855	A	10/1970	Spring	
D219,582	S	12/1970	Stout	
3,581,681	A	6/1971	Newton	
3,590,751	A	7/1971	Freid et al.	
D221,636	S	8/1971	Moses et al.	
3,604,368	A	9/1971	Baxter	
3,606,844	A	9/1971	Lubker et al.	
3,610,173	A	10/1971	McIlwraith et al.	
3,621,797	A	11/1971	Hunter	
3,626,860	A	12/1971	Blatt	
3,636,889	A	1/1972	Mangold	
3,650,224	A	3/1972	Petix et al.	
3,664,570	A	5/1972	Kupersmit	
3,667,403	A	6/1972	Angelbeck, Jr.	
3,680,496	A	8/1972	Westlake, Jr.	
3,699,901	A	10/1972	Cook, III	
3,710,157	A	1/1973	Wright	
3,717,922	A	2/1973	Witkowski	
3,719,157	A	3/1973	Arcocha et al.	
3,726,236	A	4/1973	Colas	
D226,844	S	5/1973	Box	
3,753,407	A	8/1973	Tilseth	
3,757,704	A	9/1973	Allgeyer et al.	
3,759,194	A	9/1973	Fujii et al.	
3,776,435	A	12/1973	Smith	
3,814,778	A	6/1974	Hosoda et al.	
3,858,526	A	1/1975	Lombard et al.	
D234,348	S *	2/1975	Moses .....	D34/38
3,884,440	A	5/1975	Rowley et al.	
3,926,321	A	12/1975	Trebilcock	
3,952,672	A	4/1976	Gordon et al.	
D242,336	S	11/1976	Steinlein	
4,013,020	A	3/1977	Schoeller et al.	
4,013,021	A	3/1977	Steinlein et al.	
4,051,787	A	10/1977	Nishitani et al.	
4,060,037	A	11/1977	Gustafsson	
4,103,857	A	8/1978	Levenhagen	
4,189,125	A	2/1980	Little	
4,249,657	A	2/1981	Bates	
4,254,927	A	3/1981	Stonhaus	
4,290,369	A	9/1981	Propst et al.	
4,397,246	A	8/1983	Ishida et al.	
D272,573	S *	2/1984	DeGironemo .....	D34/38
4,474,387	A	10/1984	Maranell et al.	
4,597,338	A	7/1986	Kreeger	
4,606,278	A	8/1986	Shuert	
4,824,136	A	4/1989	Baxter	
D306,419	S	3/1990	Merritt	
4,960,553	A	10/1990	DeBruine et al.	
4,991,811	A	2/1991	Portnoy	
5,046,587	A	9/1991	Jones	

5,054,805	A	10/1991	Hungerink et al.	
D321,498	S	11/1991	Jones	
5,080,960	A	1/1992	Smorada	
5,092,251	A	3/1992	Hamaker et al.	
5,105,746	A	4/1992	Reynolds	
5,123,359	A	6/1992	DelBalso	
5,186,338	A	2/1993	Boutet	
5,197,395	A *	3/1993	Pigott et al. ....	108/56.1
D344,033	S	2/1994	Davidge	
D346,681	S *	5/1994	Pigott et al. ....	D34/38
5,343,814	A	9/1994	Pigott et al.	
5,349,749	A	9/1994	Fiedler	
D357,108	S	4/1995	Hutchison	
D357,650	S	4/1995	Evans et al.	
5,419,524	A	5/1995	Evans et al.	
5,520,121	A	5/1996	Schubart et al.	
D371,882	S	7/1996	Kristoffersson	
D374,537	S	10/1996	de Bruyn et al.	
5,687,652	A	11/1997	Ruma	
5,690,037	A	11/1997	Hill	
5,769,376	A	6/1998	Bostic et al.	
5,778,801	A	7/1998	Delacour	
D403,830	S	1/1999	Apps et al.	
D409,814	S	5/1999	Herring	
D410,786	S	6/1999	Favaron et al.	
D411,682	S	6/1999	Edwards et al.	
D428,679	S	7/2000	Bridge	
D436,709	S	1/2001	Lux, Jr.	
6,199,487	B1	3/2001	Coddington	
D443,969	S	6/2001	Apps	
6,446,563	B1	9/2002	Ohanesian	
D476,789	S	7/2003	Apps et al.	
6,584,914	B1	7/2003	Koefeldt	
D479,379	S	9/2003	Yamanouchi et al.	
D485,659	S	1/2004	Medoff et al.	
D494,337	S	8/2004	Carpenter et al.	
D495,460	S	8/2004	Apps et al.	
6,840,181	B2	1/2005	Smyers	
6,955,128	B2	10/2005	Apps	
D537,229	S	2/2007	Abe et al.	
D544,175	S *	6/2007	Valentinsson .....	D34/38
D584,874	S	1/2009	Sasnowski	
D633,273	S *	2/2011	Kellerer et al. ....	D34/38
2002/0134284	A1	9/2002	Apps	
2005/0145144	A1	7/2005	Gab	
2006/0272556	A1	12/2006	Apps	
2007/0289504	A1	12/2007	Harp et al.	

## FOREIGN PATENT DOCUMENTS

DE	2232200	A1	1/1973
DE	2652702	A1	5/1977
DE	2918573	A1	11/1980
EP	0 572 946	A2	12/1993
FI	25518	A	5/1952
FR	1543637	A	10/1968
FR	2110348	A1	6/1972
FR	2231575	A1	12/1974
GB	1420222	A	1/1976
JP	57165213	A	10/1982
NL	9102161	A	7/1993
WO	WO-95/29102	A1	11/1995
WO	WO-97/39956	A1	10/1997
WO	WO-2003/051726	A2	6/2003

\* cited by examiner

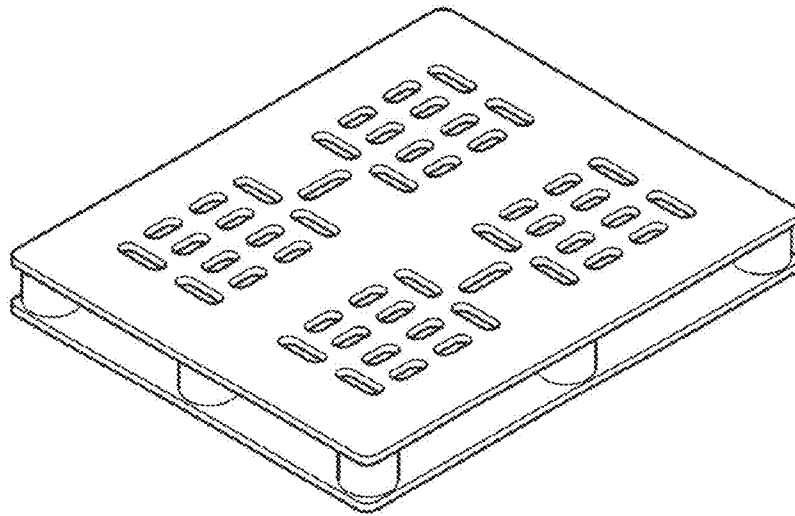


FIG. 1

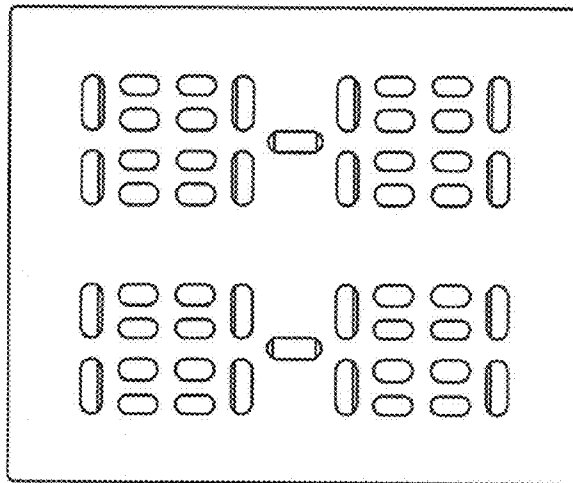


FIG. 2



FIG. 3



FIG. 4

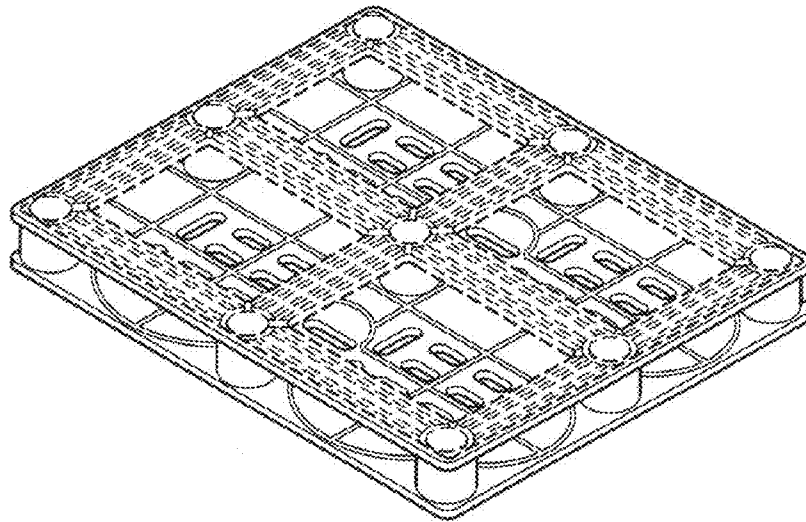


FIG. 5

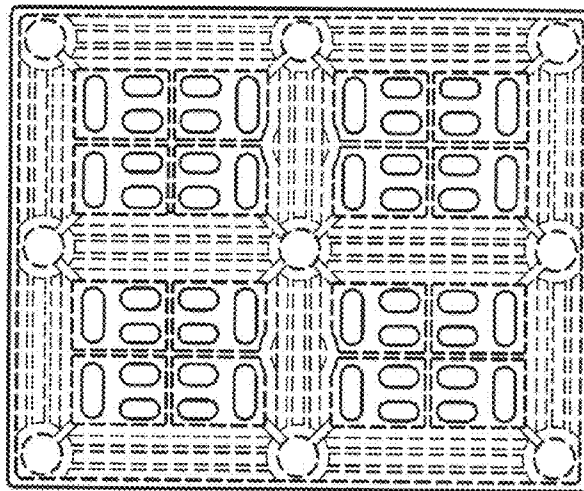


FIG. 6