



US00D488771S

(12) **United States Design Patent** (10) **Patent No.:** **US D488,771 S**
Villamizar (45) **Date of Patent:** **** Apr. 20, 2004**

(54) **TIRE TREAD**

Sumitomo SRIXON 4 Tire, 2002 Tread Design Guide, Jan. 2002, p. 64. 3/4.*

(75) Inventor: **William Urbano Villamizar**, Mersch (LU)

* cited by examiner

(73) Assignee: **The Goodyear Tire & Rubber Company**, Akron, OH (US)

Primary Examiner—Robert M. Spear

(**) Term: **14 Years**

(74) *Attorney, Agent, or Firm*—David L. King; Richard B. O’Planick

(21) Appl. No.: **29/179,011**

(57) **CLAIM**

(22) Filed: **Apr. 3, 2003**

The ornamental Design for a tire tread, as shown and described.

(51) **LOC (7) Cl.** **12-15**

(52) **U.S. Cl.** **D12/590**

(58) **Field of Search** D12/529, 531, D12/551, 553, 559, 564, 588, 594, 598, 600; 152/209.1, 209.9, 209.12, 209.13, 209.28

DESCRIPTION

(56) **References Cited**

FIG. 1 is a perspective view of a tire tread showing my new design, it being understood that the pattern repeats uniformly throughout the circumference of the tread;

U.S. PATENT DOCUMENTS

| | | | | | |
|-------------|---|---------|-----------------|-------|------------|
| D340,895 S | * | 11/1993 | Himuro et al. | | D12/550 |
| 5,423,364 A | * | 6/1995 | Himuro | | 152/209.18 |
| D379,338 S | * | 5/1997 | Guspodin et al. | | D12/585 |
| D383,425 S | * | 9/1997 | Himuro | | D12/585 |
| D387,711 S | * | 12/1997 | Shirai et al. | | D12/585 |
| D404,694 S | * | 1/1999 | Himuro et al. | | D12/585 |
| D423,424 S | | 4/2000 | Ikeda | | D12/147 |
| D457,856 S | * | 5/2002 | Ochi | | D12/600 |
| D475,009 S | * | 5/2003 | Ochi | | D12/600 |

FIG. 2 is a front elevational view thereof;

FIG. 3 is a right side elevational view thereof; the opposite side elevational view being identical thereto; and,

FIG. 4 is an enlarged fragmentary front elevational view thereof.

OTHER PUBLICATIONS

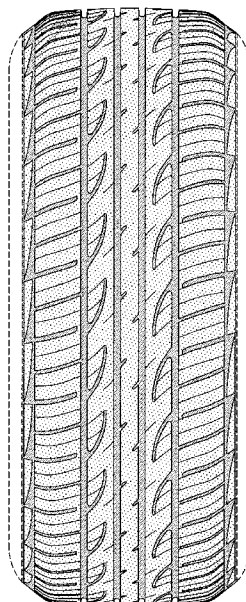
Bridgestone Potenza RE910 Tire, 2002 Tread Design Guide, Jan. 2002, p. 17. 3/5.*

Merit XR6000 Tire, 2002 Tread Design Guide, Jan. 2002, p. 47. 2/5.*

In the drawings, the broken lines defining the sidewall, inner bead and the peripheral boundary between the tire tread and the sidewall are for illustrative purposes only and form no part of the claimed design.

The dark stippled surface shading represents the recessed portion of the tread grooves having a depth as best shown in FIG. 2.

1 Claim, 4 Drawing Sheets



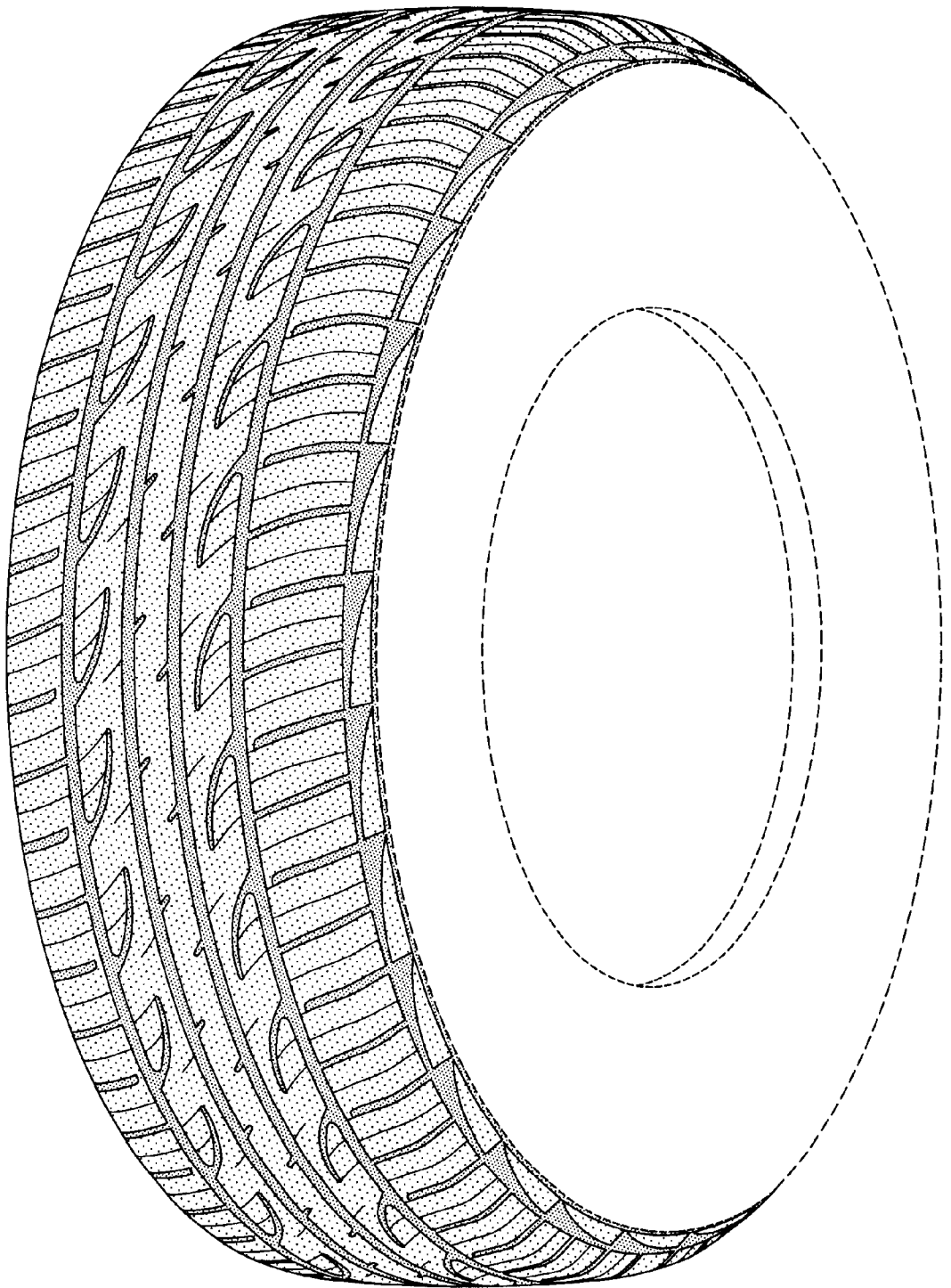


FIG-1

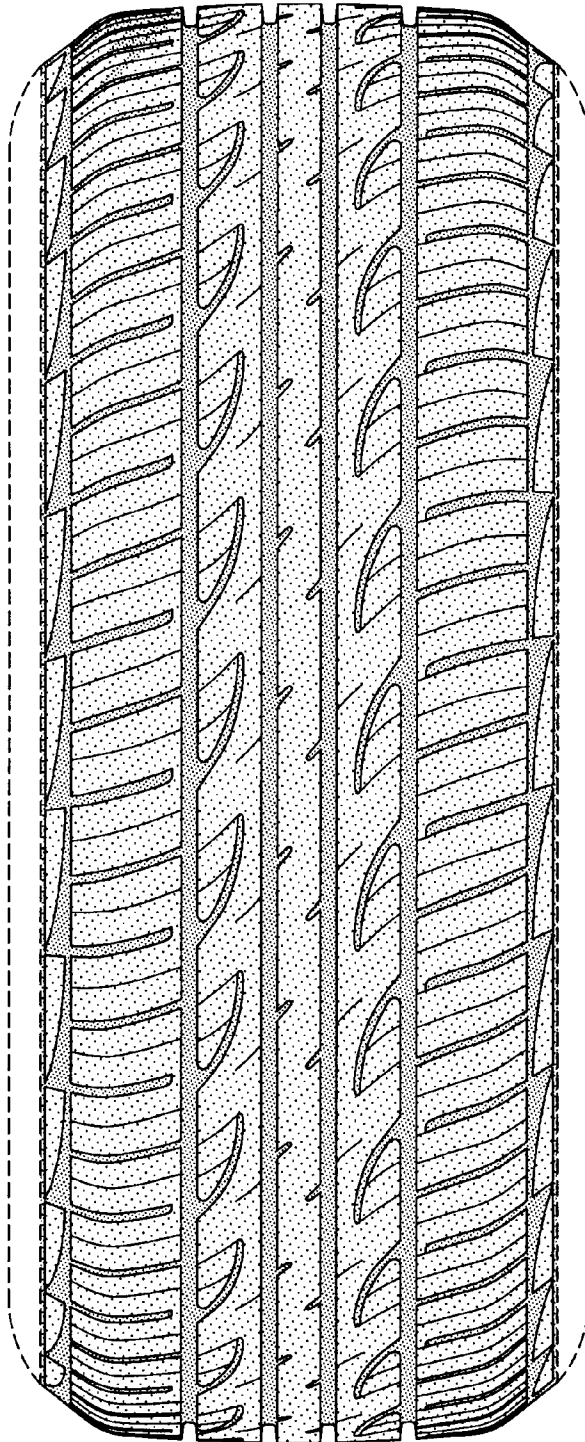


FIG-2

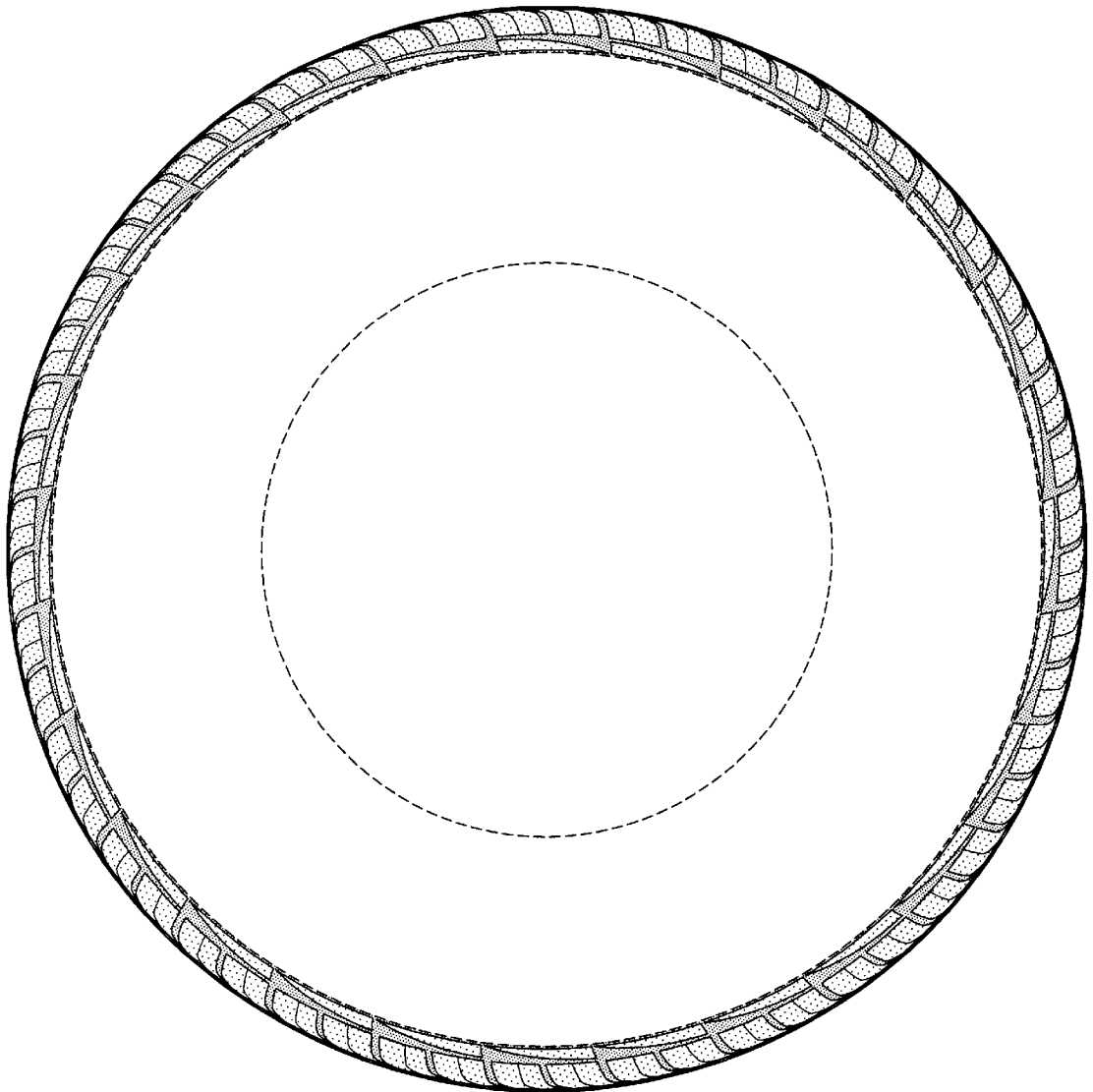


FIG-3

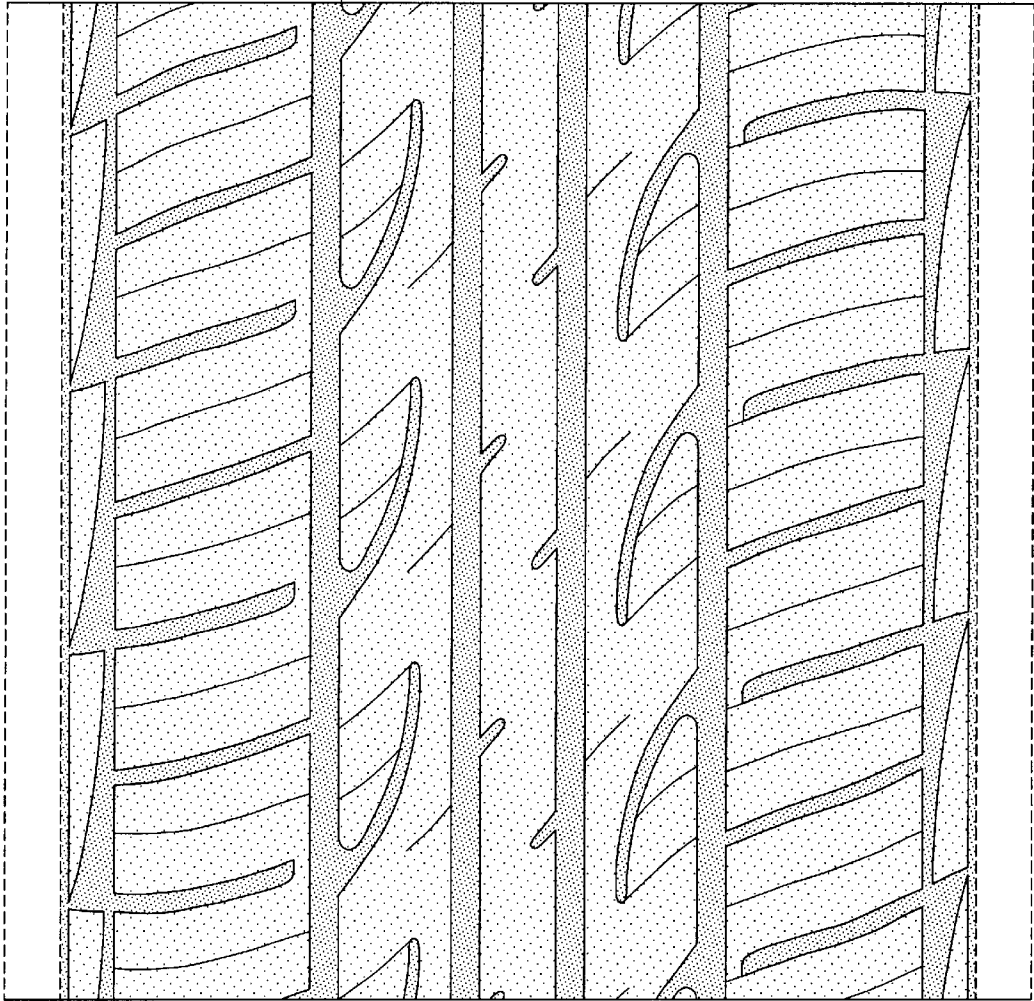


FIG-4