

(19) World Intellectual Property Organization  
International Bureau



(43) International Publication Date  
7 September 2007 (07.09.2007)

PCT

(10) International Publication Number  
**WO 2007/101159 A3**

(51) International Patent Classification:  
A61F 2/24 (2006.01)

(21) International Application Number:  
PCT/US2007/062818

(22) International Filing Date:  
26 February 2007 (26.02.2007)

(25) Filing Language: English

(26) Publication Language: English

(30) Priority Data:  
11/364,724 27 February 2006 (27.02.2006) US

(71) Applicant (for all designated States except US): **AORTX, INC.** [US/US]; 2686-A Middlefield Road, Redwood City, California 94062 (US).

(72) Inventors; and

(75) Inventors/Applicants (for US only): **FORSTER, David C.** [US/US]; 1350 Cloud Avenue, Menlo Park, California 94025 (US). **HENEVELD, Scott** [US/US]; 12400 Arrows Way, Whitmore, California 96096 (US). **WALSH, Brandon** [US/US]; 1392 W. 2175 South, Syracuse, Utah 94304-1050 (US). **BECKLEY, Brian** [US/US]; 1330 Crazy Petes Road, Woodside, California 94062 (US).

(74) Agents: **ORRICK HERRINGTON & SUTCLIFFE LLP** et al.; 4 Park Plaza, Suite 1600, Irvine, California 92614-2558 (US).

(81) Designated States (unless otherwise indicated, for every kind of national protection available): AE, AG, AL, AM, AT, AU, AZ, BA, BB, BG, BR, BW, BY, BZ, CA, CH, CN, CO, CR, CU, CZ, DE, DK, DM, DZ, EC, EE, EG, ES, FI, GB, GD, GE, GH, GM, GT, HN, HR, HU, ID, IL, IN, IS, JP, KE, KG, KM, KN, KP, KR, KZ, LA, LC, LK, LR, LS, LT, LU, LV, LY, MA, MD, MG, MK, MN, MW, MX, MY, MZ, NA, NG, NI, NO, NZ, OM, PG, PH, PL, PT, RO, RS, RU, SC, SD, SE, SG, SK, SL, SM, SV, SY, TJ, TM, TN, TR, TT, TZ, UA, UG, US, UZ, VC, VN, ZA, ZM, ZW.

(84) Designated States (unless otherwise indicated, for every kind of regional protection available): ARIPO (BW, GH, GM, KE, LS, MW, MZ, NA, SD, SL, SZ, TZ, UG, ZM, ZW), Eurasian (AM, AZ, BY, KG, KZ, MD, RU, TJ, TM), European (AT, BE, BG, CH, CY, CZ, DE, DK, EE, ES, FI, FR, GB, GR, HU, IE, IS, IT, LT, LU, LV, MC, NL, PL, PT, RO, SE, SI, SK, TR), OAPI (BF, BJ, CF, CG, CI, CM, GA, GN, GQ, GW, ML, MR, NE, SN, TD, TG).

**Declarations under Rule 4.17:**

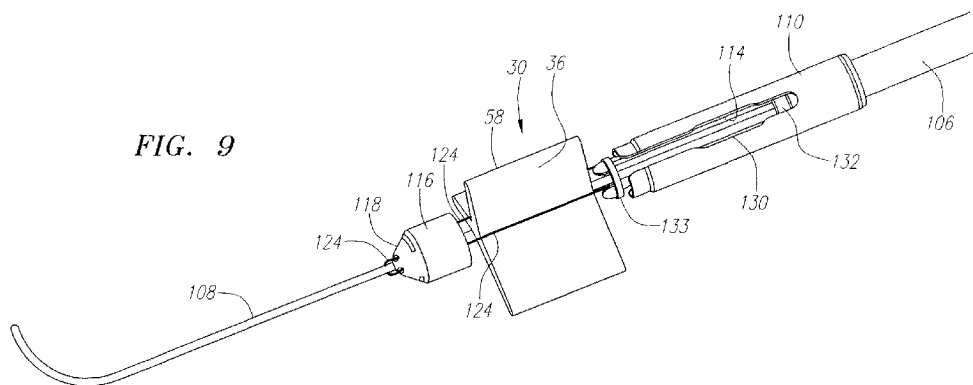
- as to applicant's entitlement to apply for and be granted a patent (Rule 4.17(ii))
- as to the applicant's entitlement to claim the priority of the earlier application (Rule 4.17(iii))

**Published:**

- with international search report

(88) Date of publication of the international search report:  
24 July 2008

(54) Title: METHODS AND DEVICES FOR DELIVERY OF PROSTHETIC HEART VALVES AND OTHER PROSTHETICS



(57) Abstract: Prosthetic valves and their component parts are described, as are prosthetic valve delivery devices and methods for their use. The prosthetic valves are particularly adapted for use in percutaneous aortic valve replacement procedures. The delivery devices are particularly adapted for use in minimally invasive surgical procedures. The preferred delivery device includes a catheter having a deployment mechanism attached to its distal end, and a handle mechanism attached to its proximal end. A plurality of tethers are provided to selectively restrain the valve during deployment. A number of mechanisms for active deployment of partially expanded prosthetic valves are also described.

WO 2007/101159 A3

INTERNATIONAL SEARCH REPORT

International application No.

PCT/US 07/62818

A. CLASSIFICATION OF SUBJECT MATTER

IPC(8) - A61F 2/24 (2007.10)

USPC - 623/2.11

According to International Patent Classification (IPC) or to both national classification and IPC

B. FIELDS SEARCHED

Minimum documentation searched (classification system followed by classification symbols)

-IPC(8) - A61F 2/24 (2007.10)

-USPC - 623/2.11

Documentation searched other than minimum documentation to the extent that such documents are included in the fields searched

-IPC(8) - A61F 2/24 (2007.10)

-USPC - 623/2.11; 623/2.18; 623/2.1; 623/2.17; 623/2.12

Electronic data base consulted during the international search (name of data base and, where practicable, search terms used)

-USPTO WEST (USPT, PGPUB, EPAB, JPAB); -heart, valve, star, collaps\$, contract, contracted, deliver, delivery, ?tri-star?, tether, triangle, catheter, roll, roller, prosthetic, deploy, deploy\$, expand, expand\$, pinch, pincher, spring, hinge

-Google Scholar

C. DOCUMENTS CONSIDERED TO BE RELEVANT

Category*	Citation of document, with indication, where appropriate, of the relevant passages	Relevant to claim No.
X --- Y	US 2005/0203617 A1 (FORSTER, D. C., et al.) 15 September 2005 (15.09.2005), [Abstract], para[0015], [0029], [0031], [0036], [0039]-[0041], [0044], [0048], [0049], [0052], [0133], [0147], [0161], [0175], Figs. 16A, 16B, 17A, 17B	1-26, 28 ----- 27, 29
Y	US 2004/40034380 A1 (WOOLFSON, et al.) 19 February 2004 (19.02.2004), para[0103], Figs. 50-52, 55, 79	27
Y	US 2004/0078074 A1 (ANDERSON, et al.) 22 April 2004 (22.04.2004), para[0079], Figs. 8A-8E	29
A	US 2006/0015179 A1 (BULMAN-FLEMING, N., et al.) 19 January 2006 (19.01.2006)	1-29
A	US 2003/0023262 A1 (WELCH, J.) 30 January 2003 (30.01.2003)	1-29

Further documents are listed in the continuation of Box C.

\* Special categories of cited documents:

"A" document defining the general state of the art which is not considered to be of particular relevance

"E" earlier application or patent but published on or after the international filing date

"L" document which may throw doubts on priority claim(s) or which is cited to establish the publication date of another citation or other special reason (as specified)

"O" document referring to an oral disclosure, use, exhibition or other means

"P" document published prior to the international filing date but later than the priority date claimed

"T" later document published after the international filing date or priority date and not in conflict with the application but cited to understand the principle or theory underlying the invention

"X" document of particular relevance; the claimed invention cannot be considered novel or cannot be considered to involve an inventive step when the document is taken alone

"Y" document of particular relevance; the claimed invention cannot be considered to involve an inventive step when the document is combined with one or more other such documents, such combination being obvious to a person skilled in the art

"&" document member of the same patent family

Date of the actual completion of the international search

15 October 2007 (15.10.2007)

Date of mailing of the international search report

**24 APR 2008**

Name and mailing address of the ISA/US

Mail Stop PCT, Attn: ISA/US, Commissioner for Patents  
P.O. Box 1450, Alexandria, Virginia 22313-1450

Facsimile No. 571-273-3201

Authorized officer:

Lee W. Young

PCT Helpdesk: 571-272-4300  
PCT OSP: 571-272-7774