



US00D748842S

(12) **United States Design Patent**
Sakurai et al.

(10) **Patent No.:** **US D748,842 S**

(45) **Date of Patent:** **** Feb. 2, 2016**

(54) **LIGHTING FIXTURE**

(71) Applicant: **Nittoh Kogaku K.K.**, Suwa-shi, Nagano (JP)

(72) Inventors: **Kenji Sakurai**, Suwa (JP); **Takashi Iwamoto**, Suwa (JP)

(73) Assignee: **NITTOH KOGAKU K.K.** (JP)

(**) Term: **14 Years**

(21) Appl. No.: **29/510,296**

(22) Filed: **Nov. 26, 2014**

(30) **Foreign Application Priority Data**

May 30, 2014 (JP) D2014-011703

(51) **LOC (10) Cl.** **26-03**

(52) **U.S. Cl.**

USPC **D26/89**

(58) **Field of Classification Search**

USPC D26/72, 85, 89, 118, 120

CPC F21S 8/03; F21S 8/033; F21S 8/04;

F21V 3/04; F21V 3/0418; F21V 3/0427;

F21V 3/0436; F21V 3/0445; F21V 21/02;

F21V 21/03; F21V 29/506; F21V 3/049;

F21V 5/045; F21V 7/04; F21V 11/06

See application file for complete search history.

(56) **References Cited**

U.S. PATENT DOCUMENTS

3,358,408 A * 12/1967 Cooper, Jr. E04C 2/54
52/202

D213,464 S * 3/1969 Meyer D26/89

6,771,021 B2 * 8/2004 Cok F21V 3/00

313/511

D595,450 S * 6/2009 Ko D26/120

D602,193 S * 10/2009 Soderman D26/89

7,607,793 B2 * 10/2009 Coushaine F21V 33/006

362/145

7,736,018 B2 * 6/2010 Ladstaetter F21S 8/04

362/240

D632,007 S * 2/2011 Kim D26/120

D634,055 S * 3/2011 Hokazono D26/89

D640,821 S * 6/2011 Kocks D26/89

D655,853 S * 3/2012 Kim D26/89

D656,654 S * 3/2012 Wauters D26/89

8,292,448 B2 * 10/2012 Kim F21S 2/005

362/311.02

8,348,489 B2 * 1/2013 Holman G02B 6/0028

313/508

8,444,286 B2 * 5/2013 Yasuoka F21S 8/04

362/147

D717,990 S * 11/2014 Nakai D26/120

9,028,089 B2 * 5/2015 Kotera F21V 27/00

362/147

OTHER PUBLICATIONS

Contempra Satin Nickel 4-Light Ceiling Light, found at eurostylelighting.com visited Aug. 5, 2010.*

Square Collection Ceiling/Wall Light, found at eurostylelighting.com visited Aug. 5, 2010.*

Japanese Notice of Reasons for Rejection corresponding to Design application No. 2014-011703; Mailing date Nov. 28, 2014, with English translation.

* cited by examiner

Primary Examiner — Clare E Heflin

(74) *Attorney, Agent, or Firm* — Cantor Colburn LLP

(57)

CLAIM

We claim the ornamental design for a lighting fixture, as shown and described.

DESCRIPTION

FIG. 1 is a front perspective view of a lighting fixture.

FIG. 2 is a rear perspective view of the lighting fixture;

FIG. 3 is a front view of the lighting fixture;

FIG. 4 is a rear view of the lighting fixture;

FIG. 5 is a left side view of the lighting fixture;

FIG. 6 is a right side view of the lighting fixture;

FIG. 7 is a top view of the lighting fixture;

FIG. 8 is a bottom view of the lighting fixture;

FIG. 9 is an enlarged view of segment 9 on FIG. 8; and,

FIG. 10 is an enlarged view of segment 10 on FIG. 6.

1 Claim, 7 Drawing Sheets

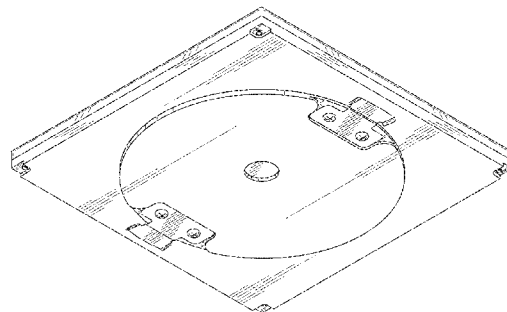
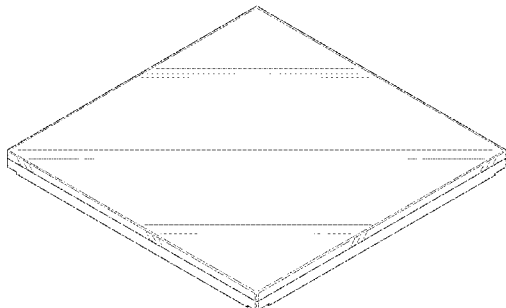


FIG. 1

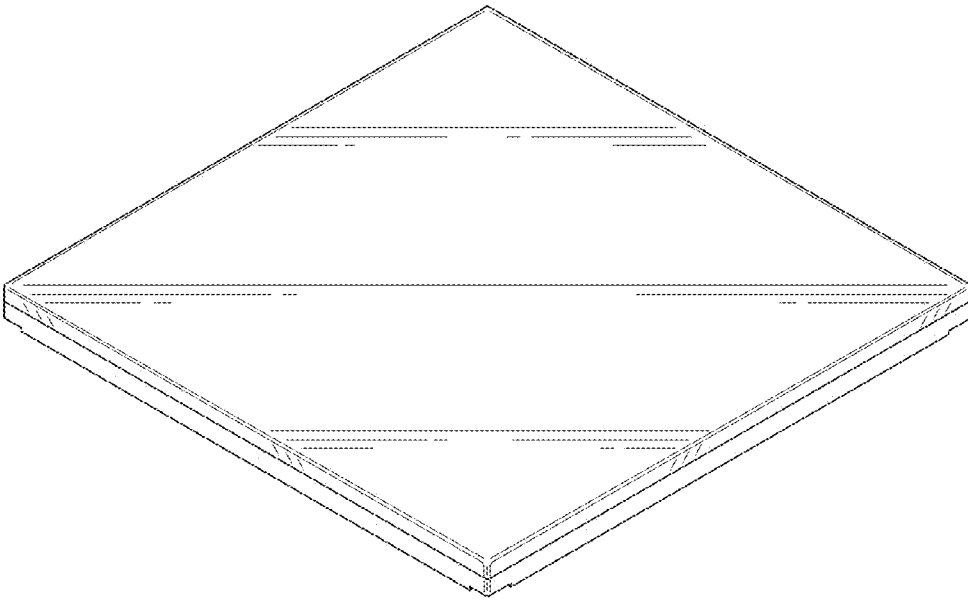


FIG. 2

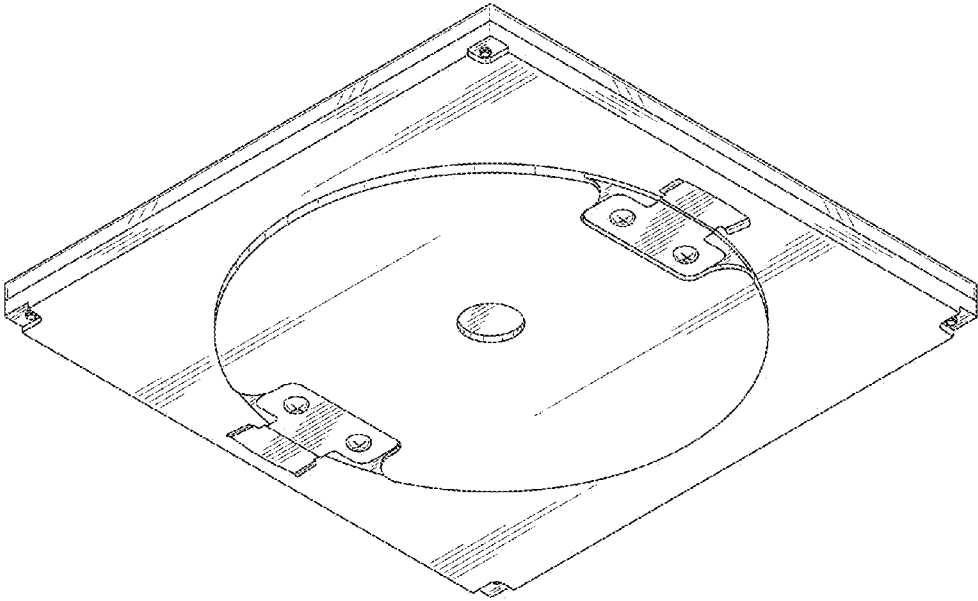


FIG. 3

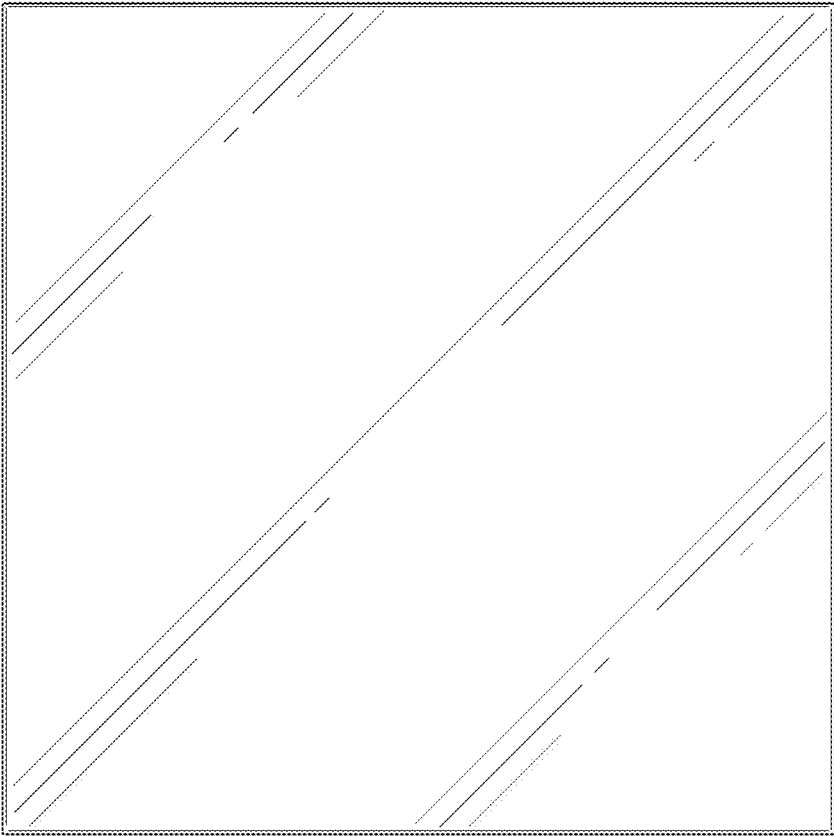


FIG. 4

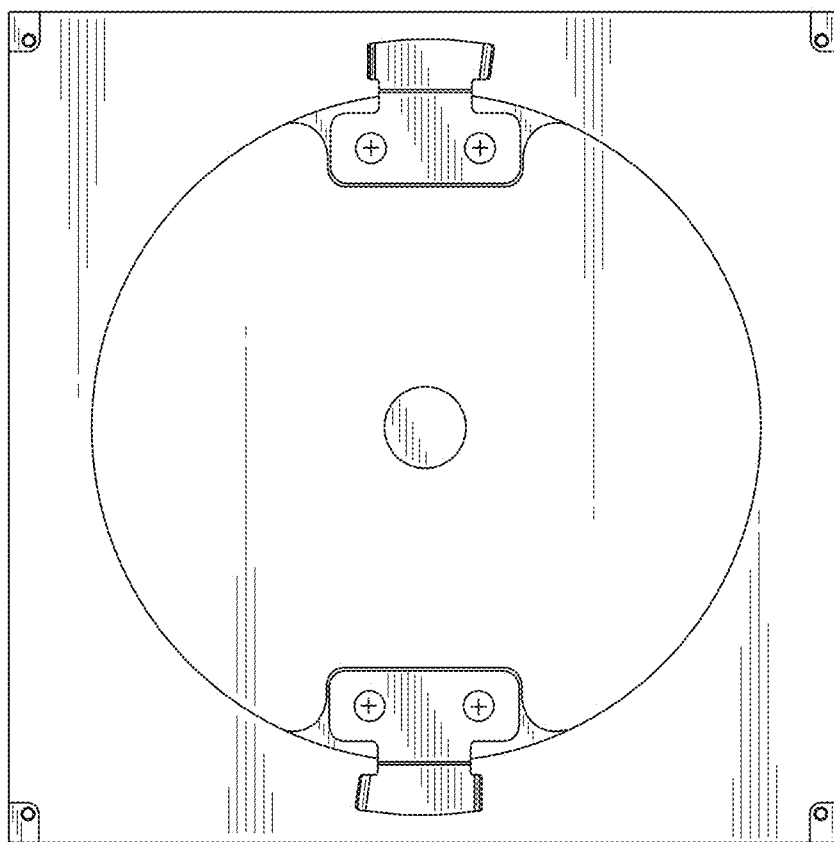


FIG. 5

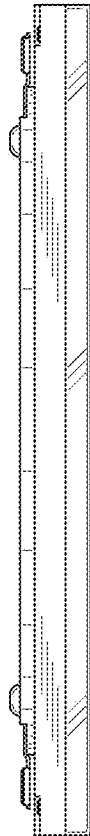


FIG. 6

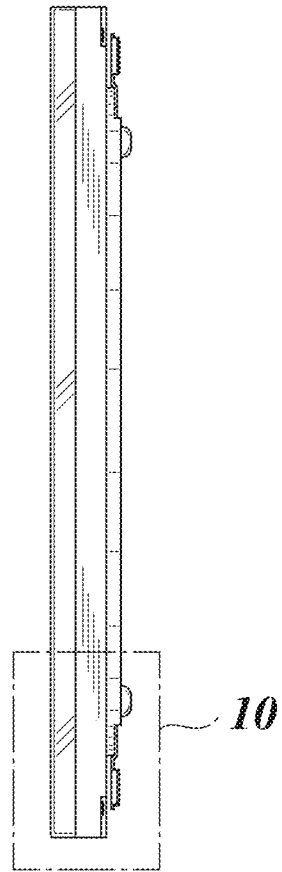


FIG. 7

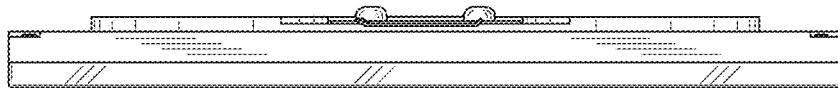


FIG. 8

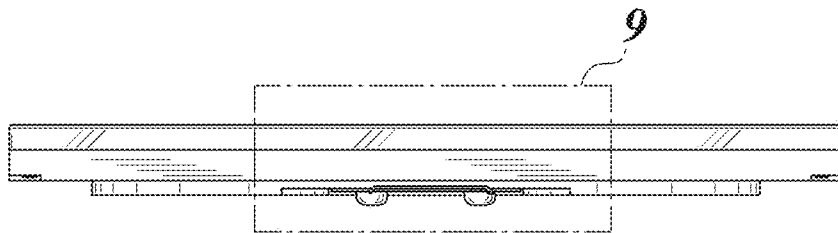


FIG. 9

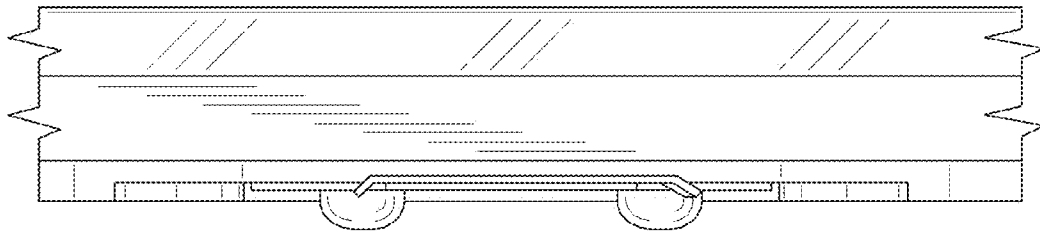


FIG. 10

