



(43) International Publication Date
20 December 2012 (20.12.2012)

(51) International Patent Classification:

A61L 9/03 (2006.01) F21V 35/00 (2006.01)
B65D 85/00 (2006.01) C11C 5/00 (2006.01)

(21) International Application Number:

PCT/US2012/041309

(22) International Filing Date:

7 June 2012 (07.06.2012)

(25) Filing Language:

English

(26) Publication Language:

English

(30) Priority Data:

13/160,790 15 June 2011 (15.06.2011) US

(71) Applicant (for all designated States except US):

SCENTSY, INC. [US/US]; 2701 E Pine Ave, Meridian, Idaho 83642 (US).

(72) Inventor; and

(75) Inventor/Applicant (for US only): JUAREZ, Brandon [US/US]; 935 South Island Glenn Way, Eagle, Idaho 83616 (US).

(74) Agents: GUNN, J. Jeffrey et al.; TraskBritt, PO Box 2550, Salt Lake City, Utah 84110 (US).

(81) Designated States (unless otherwise indicated, for every kind of national protection available): AE, AG, AL, AM, AO, AT, AU, AZ, BA, BB, BG, BH, BR, BW, BY, BZ, CA, CH, CL, CN, CO, CR, CU, CZ, DE, DK, DM, DO, DZ, EC, EE, EG, ES, FI, GB, GD, GE, GH, GM, GT, HN,

HR, HU, ID, IL, IN, IS, JP, KE, KG, KM, KN, KP, KR, KZ, LA, LC, LK, LR, LS, LT, LU, LY, MA, MD, ME, MG, MK, MN, MW, MX, MY, MZ, NA, NG, NI, NO, NZ, OM, PE, PG, PH, PL, PT, QA, RO, RS, RU, RW, SC, SD, SE, SG, SK, SL, SM, ST, SV, SY, TH, TJ, TM, TN, TR, TT, TZ, UA, UG, US, UZ, VC, VN, ZA, ZM, ZW.

(84) Designated States (unless otherwise indicated, for every kind of regional protection available): ARIPO (BW, GH, GM, KE, LR, LS, MW, MZ, NA, RW, SD, SL, SZ, TZ, UG, ZM, ZW), Eurasian (AM, AZ, BY, KG, KZ, RU, TJ, TM), European (AL, AT, BE, BG, CH, CY, CZ, DE, DK, EE, ES, FI, FR, GB, GR, HR, HU, IE, IS, IT, LT, LU, LV, MC, MK, MT, NL, NO, PL, PT, RO, RS, SE, SI, SK, SM, TR), OAPI (BF, BJ, CF, CG, CI, CM, GA, GN, GQ, GW, ML, MR, NE, SN, TD, TG).

Declarations under Rule 4.17:

— as to applicant's entitlement to apply for and be granted a patent (Rule 4.17(ii))

Published:

— with international search report (Art. 21(3))
— before the expiration of the time limit for amending the claims and to be republished in the event of receipt of amendments (Rule 48.2(h))

(88) Date of publication of the international search report:

2 May 2013

(54) Title: BASE STRUCTURES, SCENT WARMERS INCLUDING SUCH BASE STRUCTURES, AND RELATED METHODS

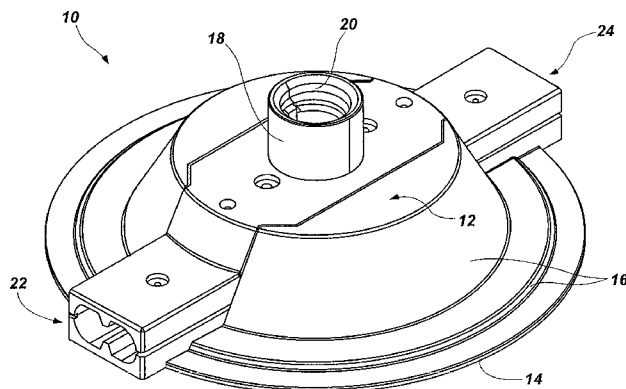


FIG. 1

(57) Abstract: Base structures for use with a scent warmer comprise a support structure configured to receive thereon an at least substantially hollow member defining a cavity. An electrical connector extends from the support structure. A power cord connector extending from the support structure is electrically connected to the electrical connector using a rigid electrical connection and configured to physically secure and electrically communicate with a power cord. Methods of making a base structure for use with a scent warmer comprise configuring a support structure to receive thereon an at least substantially hollow member defining a cavity. An electrical connector that extends from the support structure is formed. A power cord connector configured to physically secure and electrically communicate with a power cord is electrically connected with the electrical connector using a rigid electrical connection.



INTERNATIONAL SEARCH REPORT

International application No.
PCT/US2012/041309**A. CLASSIFICATION OF SUBJECT MATTER***A61L 9/03(2006.01)i, B65D 85/00(2006.01)i, F21V 35/00(2006.01)i, C11C 5/00(2006.01)i*

According to International Patent Classification (IPC) or to both national classification and IPC

B. FIELDS SEARCHED

Minimum documentation searched (classification system followed by classification symbols)

A61L 9/03, F27D 11/00, F21V 33/00

Documentation searched other than minimum documentation to the extent that such documents are included in the fields searched

Korean utility models and applications for utility models
Japanese utility models and applications for utility models

Electronic data base consulted during the international search (name of data base and, where practicable, search terms used)

eKOMPASS(KIPO internal) & keywords: base structure, scent warmer, support structure, electrical connector, power cord connector, rigid electrical connection.

C. DOCUMENTS CONSIDERED TO BE RELEVANT

Category*	Citation of document, with indication, where appropriate, of the relevant passages	Relevant to claim No.
A	US 2005-0016985 A1 (HAAS, R. et al.) 27 January 2005 See abstract; paragraphs [0020], [0024], [0034], [0036], [0037]; claims 1, 16; figures 4-7.	1-19
A	US 2010-0260646 A1 (JORGENSEN, C.) 14 October 2010 See abstract; paragraphs [0039]-[0043]; claim 1; figure 2.	1-19
A	US 7618151 B2 (ABBONDANZIO, M. et al.) 17 November 2009 See abstract; column 9, lines 13-29; claim 1; figures 1, 22, 23.	1-19
A	US 2011-0110824 A1 (HSIAO, MING J.) 12 May 2011 See abstract; paragraphs [0019]-[0021], [0026]; claim 1; figure 2.	1-19
PA	US 2012-0024837 A1 (THOMPSON, R. O.) 02 February 2012 See abstract; paragraph [0017]; claim 1; figure 1.	1-19

 Further documents are listed in the continuation of Box C. See patent family annex.

* Special categories of cited documents:

"A" document defining the general state of the art which is not considered to be of particular relevance

"E" earlier application or patent but published on or after the international filing date

"L" document which may throw doubts on priority claim(s) or which is cited to establish the publication date of citation or other special reason (as specified)

"O" document referring to an oral disclosure, use, exhibition or other means

"P" document published prior to the international filing date but later than the priority date claimed

"T" later document published after the international filing date or priority date and not in conflict with the application but cited to understand the principle or theory underlying the invention

"X" document of particular relevance; the claimed invention cannot be considered novel or cannot be considered to involve an inventive step when the document is taken alone

"Y" document of particular relevance; the claimed invention cannot be considered to involve an inventive step when the document is combined with one or more other such documents, such combination being obvious to a person skilled in the art

"&" document member of the same patent family

Date of the actual completion of the international search

28 FEBRUARY 2013 (28.02.2013)

Date of mailing of the international search report

04 MARCH 2013 (04.03.2013)

Name and mailing address of the ISA/KR



Facsimile No. 82-42-472-7140

Authorized officer

KIM, Dong Seok

Telephone No. 82-42-481-8647



INTERNATIONAL SEARCH REPORT

Information on patent family members

International application No.

PCT/US2012/041309

Patent document cited in search report	Publication date	Patent family member(s)	Publication date
US 2005-0016985 A1	27.01.2005	None	
US 2010-0260646 A1	14.10.2010	US 8137630 B2	20.03.2012
US 7618151 B2	17.11.2009	AU 2003-273499 A1	16.02.2004
		AU 2003-273499 A8	16.02.2004
		AU 2004-254642 A1	13.01.2005
		AU 2004-254642 B8	12.02.2009
		AU 2005-219978 A1	15.09.2005
		AU 2005-219978 B2	26.08.2010
		AU 2007-342490 A1	17.07.2008
		CA 2531323 A1	13.01.2005
		CA 2531323 C	13.10.2009
		CA 2558222 A1	15.09.2005
		CA 2558222 C	13.10.2009
		CA 2674694 A1	17.07.2008
		CN 100491810 C	27.05.2009
		CN 101096919 A	02.01.2008
		CN 101096919 B	06.07.2011
		CN 101096919 C0	02.01.2008
		CN 101858535 A	13.10.2010
		CN 1679208 C0	05.10.2005
		CN 1836132 A0	20.09.2006
		CN 1934389 A	21.03.2007
		CN 1934389 C0	21.03.2007
		EP 1527499 A2	04.05.2005
		EP 1639292 A1	29.03.2006
		EP 1639292 B1	24.10.2007
		EP 1728022 A2	06.12.2006
		EP 1728022 B1	23.05.2012
		EP 1876385 A2	09.01.2008
		EP 1876385 A3	23.01.2008
		EP 1876385 B1	06.01.2010
		EP 2073853 A2	01.07.2009
		EP 2074349 A2	01.07.2009
		EP 2074869 A2	01.07.2009
		EP 2074869 B1	05.12.2012
		EP 2087775 A1	12.08.2009
		JP 2005-534243 A	10.11.2005
		JP 2007-526617 A	13.09.2007
		JP 2007-527599 A	27.09.2007
		JP 2008-014311 A	24.01.2008
		JP 2010-515454 A	13.05.2010
		JP 4340288 B2	10.07.2009
		JP 4397946 B2	30.10.2009
		JP 4949949 B2	16.03.2012
		KR 10-1067738 B1	28.09.2011
		KR 10-2005-0019926 A	03.03.2005
		KR 10-2006-0120566 A	27.11.2006

INTERNATIONAL SEARCH REPORT

Information on patent family members

International application No.

PCT/US2012/041309

Patent document cited in search report	Publication date	Patent family member(s)	Publication date
		KR 10-2007-0007303 A	15.01.2007
		US 2005-0195600 A1	08.09.2005
		US 2006-0164312 A1	27.07.2006
		US 2006-0238136 A1	26.10.2006
		US 2007-0014549 A1	18.01.2007
		US 2007-0086199 A1	19.04.2007
		US 2007-0109763 A1	17.05.2007
		US 2007-0109782 A1	17.05.2007
		US 2007-0121319 A1	31.05.2007
		US 2007-0133206 A1	14.06.2007
		US 2007-0236912 A1	11.10.2007
		US 2008-0001551 A1	03.01.2008
		US 2008-0003102 A1	03.01.2008
		US 2008-0106893 A1	08.05.2008
		US 2008-0232091 A1	25.09.2008
		US 2010-0013414 A1	21.01.2010
		US 7246919 B2	24.07.2007
		US 7318659 B2	15.01.2008
		US 7419281 B2	02.09.2008
		US 7476002 B2	13.01.2009
		US 7484860 B2	03.02.2009
		US 7503675 B2	17.03.2009
		US 7520635 B2	21.04.2009
		US 7604378 B2	20.10.2009
		US 7641364 B2	05.01.2010
		US 7762764 B2	27.07.2010
		US 7988323 B2	02.08.2011
		WO 2004-012299 A2	05.02.2004
		WO 2004-012299 A3	08.04.2004
		WO 2005-003625 A1	13.01.2005
		WO 2005-086245 A2	15.09.2005
		WO 2008-002427 A1	03.01.2008
		WO 2008-045531 A2	17.04.2008
		WO 2008-045531 A3	31.07.2008
		WO 2008-045567 A2	17.04.2008
		WO 2008-045567 A3	05.06.2008
		WO 2008-045569 A2	17.04.2008
		WO 2008-045569 A3	29.05.2008
		WO 2008-051613 A1	02.05.2008
		WO 2008-085363 A1	17.07.2008
		WO 2009-020568 A1	12.02.2009
US 2011-0110824 A1	12.05.2011	None	
US 2012-0024837 A1	02.02.2012	EP 2412389 A1	01.02.2012
		WO 2012-018417 A1	09.02.2012