

(19) World Intellectual Property Organization
International Bureau



(43) International Publication Date
22 November 2007 (22.11.2007)

PCT

(10) International Publication Number
WO 2007/134267 A3

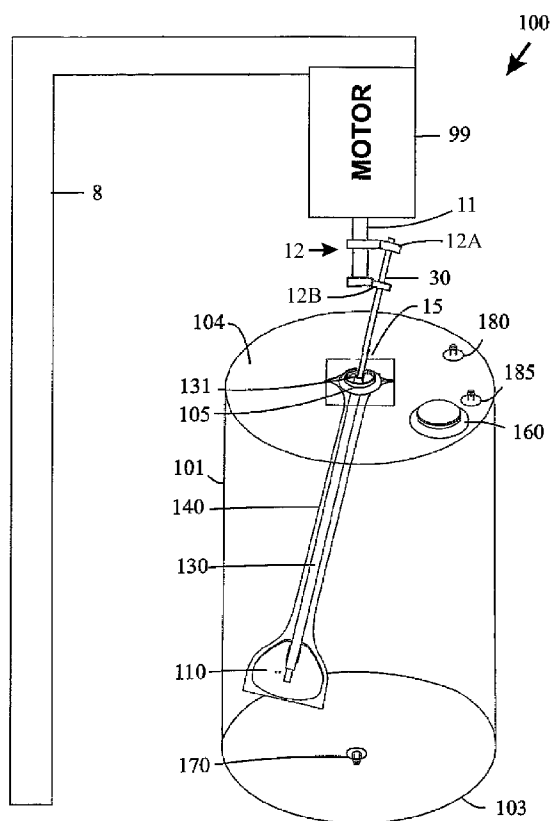
- (51) **International Patent Classification:**
C12M1/00 (2006.01)
- (21) **International Application Number:**
PCT/US2007/068828
- (22) **International Filing Date:** 12 May 2007 (12.05.2007)
- (25) **Filing Language:** English
- (26) **Publication Language:** English
- (30) **Priority Data:**
60/799,842 13 May 2006 (13.05.2006) US
- (71) **Applicants (for all designated States except US):** **ADVANCED TECHNOLOGY MATERIALS, INC.** [US/US]; 7 Commerce Drive, Danbury, CT 06810-4169 (US). **ARTELIS S.A.** [-/BE]; Avenue Des Buissonnets 53, B-1020 Bruxelles (BE).
- (72) **Inventors; and**
- (75) **Inventors/Applicants (for US only):** **CLAES, Tom** [BE/BE]; Hoelbeekstraat 78, B-3740 Bilzen (BE). **ZAMBAUX, Jean-Pascal** [FR/FR]; Route Des Ussets, F-74350 Allonzier-La Caille (FR). **VANHAMEL, Steven** [BE/BE];

Velmerlaan 53, B-3806 VeIm (BE). **BRAET, Christophe** [BE/BE]; Mechelsevest 48/2, B-3000 Leuven (BE). **BOSCO, Florence** [BE/BE]; Rue Jules Beghin 8, B-7070 Mignault (BE). **CASTILLO, Jose** [ES/BE]; Rue Du Bon Pasteur, 8, B-1080 Bruxelles (BE).

- (74) **Agent:** **GUSTAFSON, Vincent, K.**; Intellectual Property/Technology Law, P.O. Box 14329, Research Triangle Park, NC 27709 (US).
- (81) **Designated States (unless otherwise indicated, for every kind of national protection available):** AE, AG, AL, AM, AT, AU, AZ, BA, BB, BG, BH, BR, BW, BY, BZ, CA, CH, CN, CO, CR, CU, CZ, DE, DK, DM, DZ, EC, EE, EG, ES, FI, GB, GD, GE, GH, GM, GT, HN, HR, HU, ID, IL, IN, IS, JP, KE, KG, KM, KN, KP, KR, KZ, LA, LC, LK, LR, LS, LT, LU, LY, MA, MD, ME, MG, MK, MN, MW, MX, MY, MZ, NA, NG, NI, NO, NZ, OM, PG, PH, PL, PT, RO, RS, RU, SC, SD, SE, SG, SK, SL, SM, SV, SY, TJ, TM, TN, TR, TT, TZ, UA, UG, US, UZ, VC, VN, ZA, ZM, ZW
- (84) **Designated States (unless otherwise indicated, for every kind of regional protection available):** ARIPO (BW, GH,

[Continued on next page]

(54) **Title:** DISPOSABLE BIOREACTOR



FI&_2A

(57) **Abstract:** A disposable material processing apparatus, useable as a bioreactor or fermenter, includes a hollow tank (101) and a mixing paddle (110) disposed within the interior of the tank and adapted to mix contents therein. The paddle may be isolated within a flexible sleeve (140). Various functional elements, such as a sparger, sensor, material extraction conduit, material addition conduit, and/or heat exchange element may be provided, and optionally arranged to travel with the paddle within the tank interior. Baffles may protrude into a mixing tank to enhance mixing. A tank and/or sleeve may comprise polymeric film materials.

WO 2007/134267 A3



GM, KE, LS, MW, MZ, NA, SD, SL, SZ, TZ, UG, ZM, ZW), Eurasian (AM, AZ, BY, KG, KZ, MD, RU, TJ, TM), European (AT, BE, BG, CH, CY, CZ, DE, **DK**, EE, ES, FI, FR, GB, GR, HU, IE, **IS**, **IT**, LT, LU, LV, MC, MT, NL, PL, PT, **RO**, SE, **SI**, SK, TR), OAPI (BF, **BJ**, CF, CG, CI, CM, GA, GN, GQ, GW, ML, MR, NE, SN, TD, TG).

Published:

— *with international search report*

(88) Date of publication of the international search report:
4 September 2008

INTERNATIONAL SEARCH REPORT

International application No.

PCT/US07/68828

A. CLASSIFICATION OF SUBJECT MATTER
 IPC **C12M 1/00**(2006.0 1),3/00(2006.01)

USPC. 435/289. 1

According to International Patent Classification (IPC) or to both national classification and IPC

B. FIELDS SEARCHED

Minimum documentation searched (classification system followed by classification symbols)
 U.S. : 435/289. 1,293. 1,295. 1,295.2,296 1,298. 1,299.2,303. 1,303.3

Documentation searched other than minimum documentation to the extent that such documents are included in the fields searched

Electronic data base consulted during the international search (name of data base and, where practicable, search terms used)

C. DOCUMENTS CONSIDERED TO BE RELEVANT

Category *	Citation of document, with indication, where appropriate, of the relevant passages	Relevant to claim No.
X --- Y	US 5,633, 165 (SWARTZ, JAMES) 27 May 1997 (27.05. 1997), see entire document	1, 3, 9, 10, 28-39, 52-55, 58, 60-75, 86-88, 97, 99-103, 110-125, 129-131, 133-136 ----- 4, 8, 16-18 , 20-25, 45-51, 56, 57, 76, 77, 80, 81, 89, 92, 93, 98, 104-109, 126-128, 132, 137-157



Further documents are listed in the continuation of Box C.



See patent family annex.

• Special categories of cited documents	"T"	later document published after the international filing date or priority date and not in conflict with the application but cited to understand the principle or theory underlying the invention
"A" document defining the general state of the art which is not considered to be of particular relevance	"X"	document of particular relevance, the claimed invention cannot be considered novel or cannot be considered to involve an inventive step when the document is taken alone
"E" earlier application or patent published on or after the international filing date	"Y"	document of particular relevance, the claimed invention cannot be considered to involve an inventive step when the document is combined with one or more other such documents, such combination being obvious to a person skilled in the art
"L" document which may throw doubts on priority claim(s) or which is cited to establish the publication date of another citation or other special reason (as specified)	"&"	document member of the same patent family
"O" document referring to an oral disclosure, use, exhibition or other means		
"P" document published prior to the international filing date but later than the priority date claimed		

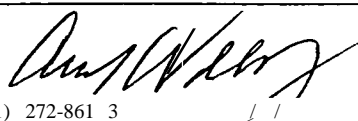
Date of the actual completion of the international search
 19 March 2008 (19 03.2008)

Date of mailing of the international search report
04 APR 2008

Name and mailing address of the ISA/US
 Mail Stop PCT, Attn ISA/US
 Commissioner for Patents
 P O. Box 1450
 Alexandria, Virginia 223 13-1450
 Facsimile No. (571) 273-3201

Authorized officer

Gladys Corcoran
 Telephone No. (571) 272-861 3



INTERNATIONAL SEARCH REPORT

International application No
PCT/US07/68828

C (Continuation). DOCUMENTS CONSIDERED TO BE RELEVANT

Category *	Citation of document, with indication, where appropriate, of the relevant passages	Relevant to claim No
X --- Y	US 5,002,890 (MORRISON, DENNIS) 26 March 1991 (26 03 1991), see entire document	1, 5-7, 9, 10, 28, 39, 52-55, 58, 60-63, 67- 74, 78, 79, 90, 91, 97, 99-103, 125, 129-131, 133-136 ----- 4, 8, 16-18, 20-25, 45- 51, 56, 76, 77, 80, 81, 89, 92, 93
X --- Y	US 2004/0029263 A1 (CARLL, KENNETH) 12 February 2004 (12 02 2004), see entire document	1, 2, 6, 9-15, 19, 26- 28, 39-44, 52-55, 58- 63, 67-74, 79, 83-85, 91, 94-97, 99-102, 114, 125, 129-131, 133-136 ----- 4, 8, 16-18, 20-25, 45- 51, 56, 57, 76, 77, 80, 81, 89, 92, 93, 98, 104-109, 126-128, 132, 137-157
Y	US 2005/02391 99 A1 (KUNAS et al) 27 October 2005 (27 10 2005), see paragraph [0076]	57, 98, 132, 137-157

INTERNATIONAL SEARCH REPORT

International application No.

PCT/US07/68828

Box No. II Observations where certain claims were found unsearchable (Continuation of item 2 of first sheet)

This international search report has not been established in respect of certain claims under Article 17(2)(a) for the following reasons:

- 1. Claims Nos.:
because they relate to subject matter not required to be searched by this Authority, namely:

- 2. Claims Nos.:
because they relate to parts of the international application that do not comply with the prescribed requirements to such an extent that no meaningful international search can be carried out. specifically:

- 3. Claims Nos.:
because they are dependent claims and are not drafted in accordance with the second and third sentences of Rule 6.4(a).

Box No. III Observations where unity of invention is lacking (Continuation of item 3 of first sheet)

This International Searching Authority found multiple inventions in this international application, as follows:
Please See Continuation Sheet

- 1. As all required additional search fees were timely paid by the applicant, this international search report covers all searchable claims.
- 2. As all searchable claims could be searched without effort justifying additional fees, this Authority did not invite payment of any additional fees.
- 3. As only some of the required additional search fees were timely paid by the applicant, this international search report covers only those claims for which fees were paid, specifically claims Nos.:

- 4. No required additional search fees were timely paid by the applicant. Consequently, this international search report is restricted to the invention first mentioned in the claims; it is covered by claims Nos.:

- Remark on Protest The additional search fees were accompanied by the applicant's protest and, where applicable, the payment of a protest fee.
- The additional search fees were accompanied by the applicant's protest but the applicable protest fee was not paid within the time limit specified in the invitation.
- D** No protest accompanied the payment of additional search fees.

INTERNATIONAL SEARCH REPORT

International application No.
PCT/US07/68828

BOX III. OBSERVATIONS WHERE UNITY OF INVENTION IS LACKING

This application contains the following inventions or groups of inventions which are not so linked as to form a single general inventive concept under PCT Rule 13.1. In order for all inventions to be examined, the appropriate additional examination fees must be paid.

Group I, claims 1-99, 103-133 and 137-157 drawn to a material processing apparatus.

Group II, claims 100-102 and 134-136 drawn to a method of cell culture.

The inventions listed as Groups I and II do not relate to a single general inventive concept under PCT Rule 13.1 because, under PCT Rule 13.2, they lack the same or corresponding special technical features. Although the Groups are similar in that they each involve the use of a reactor comprising a paddle and a function feature, this similarity cannot be considered to be a special technical feature. The Carl (US 20040029263), Swartz (US 5342763) and Morrison (US 5002890) references each disclose this arrangement.