



US00D361449S

United States Patent [19]

[11] Patent Number: Des. 361,449

Rittenberg

[45] Date of Patent: ** Aug. 22, 1995

[54] **DISPLAY RACK**

[75] Inventor: **Gerry Rittenberg**, North Brunswick, N.J.

[73] Assignee: **Amscan, Inc.**, Harrison, N.Y.

[**] Term: **14 Years**

[21] Appl. No.: **23,388**

[22] Filed: **May 24, 1994**

[52] U.S. Cl. **D6/462; D6/566**

[58] Field of Search **D6/462-465, D6/475, 476, 466, 469, 566, 567, 569, 574, 552; D8/72, 73; D7/620, 621, 618, 619; 211/181, 13, 60.1, 70.1, 71; 248/311.2, 175**

[56] **References Cited**

U.S. PATENT DOCUMENTS

D. 27,014	5/1897	Sully	D6/462
D. 85,814	12/1931	Critchfield et al.	D6/462
D. 248,728	8/1978	Elliott	D8/73 X
D. 342,434	12/1993	Glynn	D8/73
D. 342,844	1/1994	Rittenberg	D6/462
D. 343,968	2/1994	Emalfarb et al.	D6/462 X
1,276,905	8/1918	Hall	248/311.2 X
1,557,251	10/1925	Hamlin	D6/566 X
2,451,923	10/1948	Cox et al.	248/311.2

2,763,413 9/1956 Felton D7/620 X
4,896,858 1/1990 Sokolski 248/311.2

Primary Examiner—Jeffrey Asch
Attorney, Agent, or Firm—Darby & Darby

[57] **CLAIM**

The ornamental design for a display rack, as shown and described.

DESCRIPTION

FIG. 1 is a perspective view from the left side of the display rack embodying my new design;
 FIG. 2 is a right side elevational view, the left side elevational view being a mirror image thereof;
 FIG. 3 is a front elevational view thereof;
 FIG. 4 is a rear elevational view thereof;
 FIG. 5 is a top plan view thereof;
 FIG. 6 is a bottom plan view thereof;
 FIG. 7 is a perspective view from the left of a second embodiment of that shown in FIG. 1;
 FIG. 8 is a right side elevational view, the left side elevational view being a mirror image thereof;
 FIG. 9 is front elevational view thereof;
 FIG. 10 is a rear elevational view thereof;
 FIG. 11 is a top plan view thereof; and,
 FIG. 12 is a bottom plan view thereof.

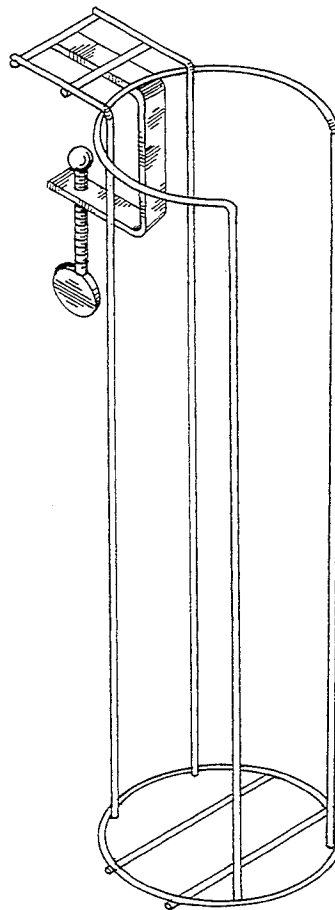
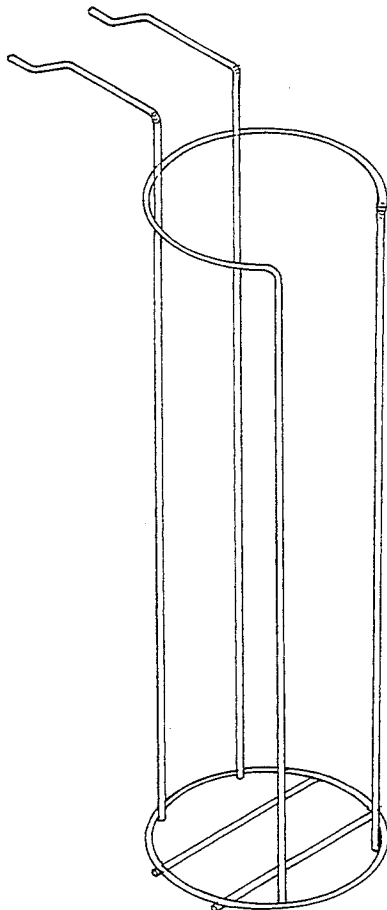


FIG. 1

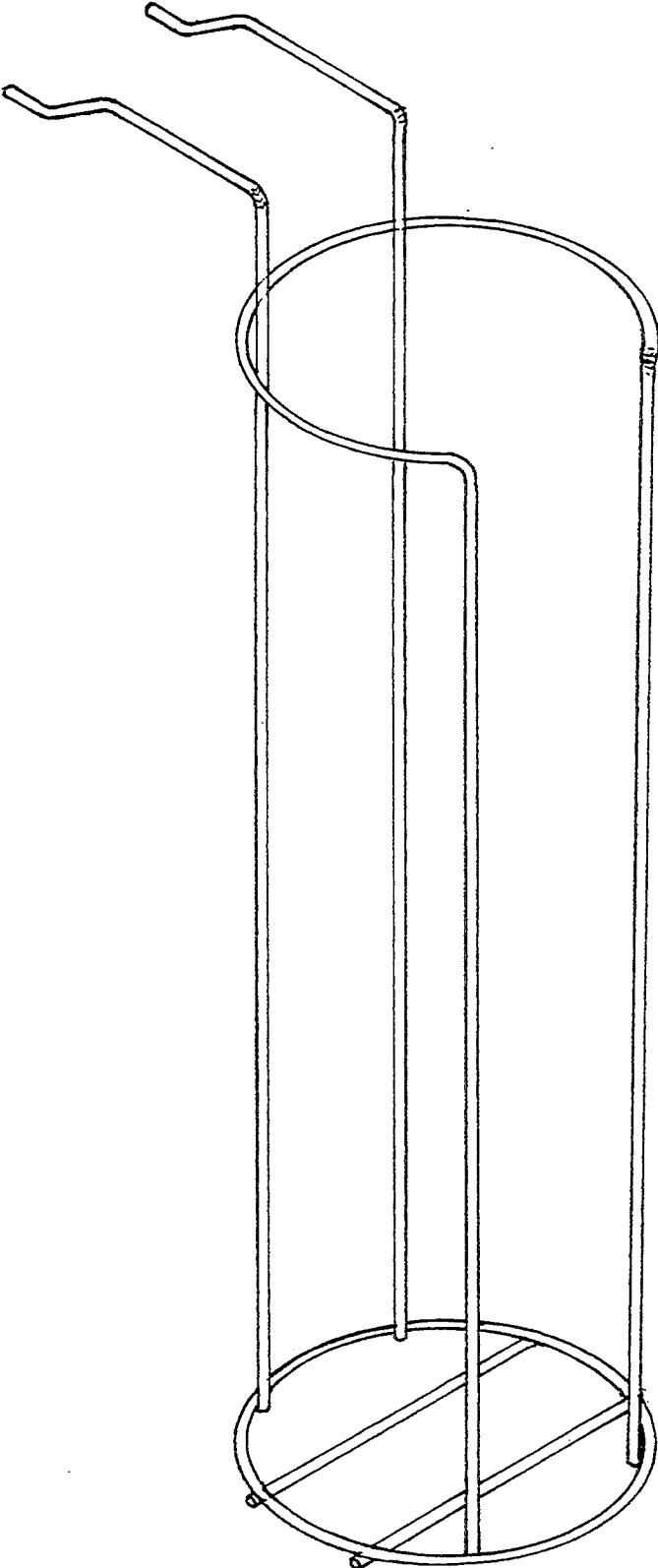


FIG. 2

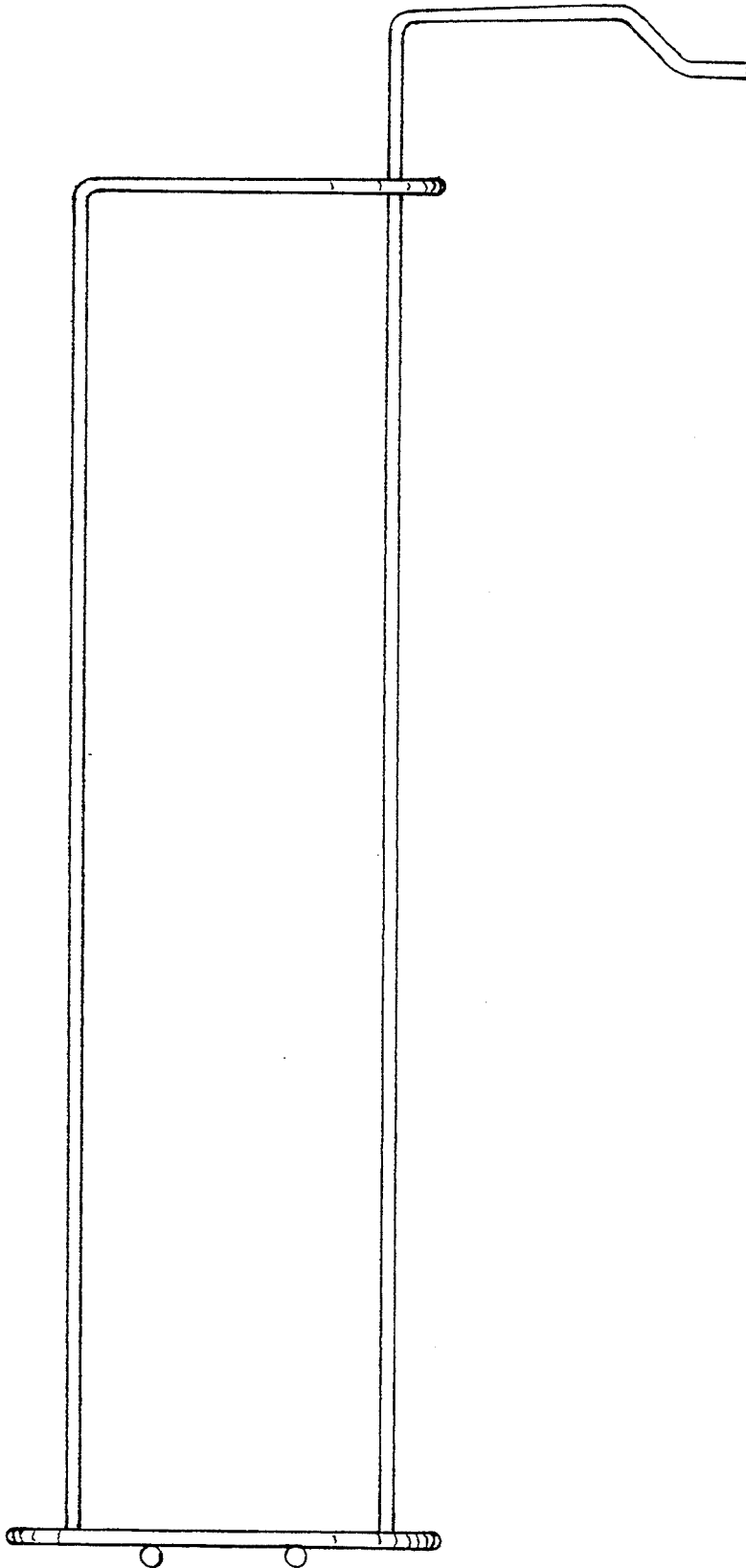


FIG. 3

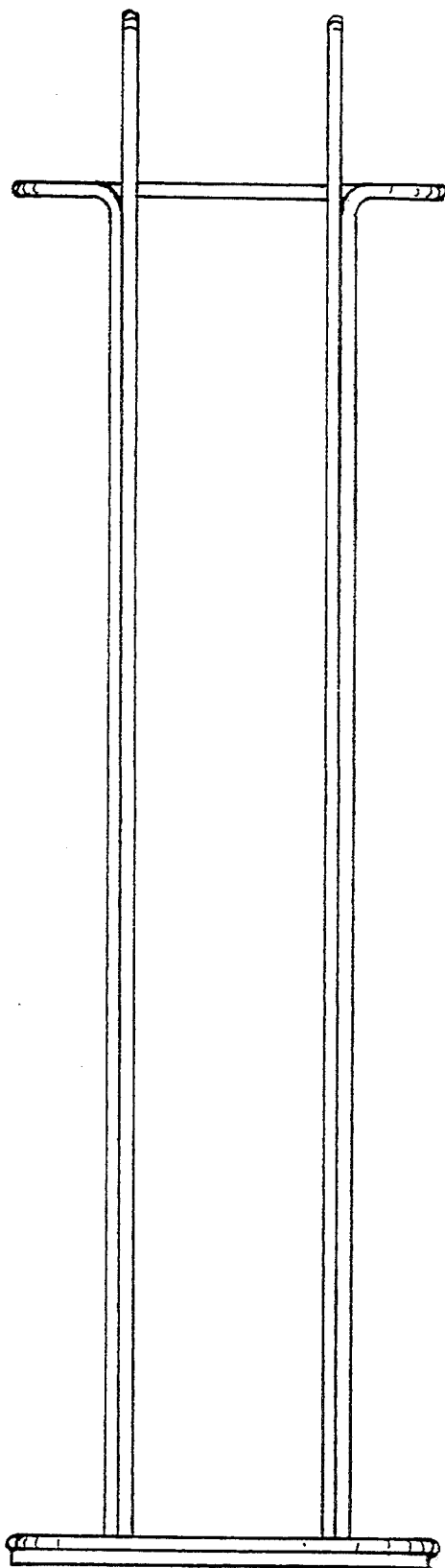


FIG. 4

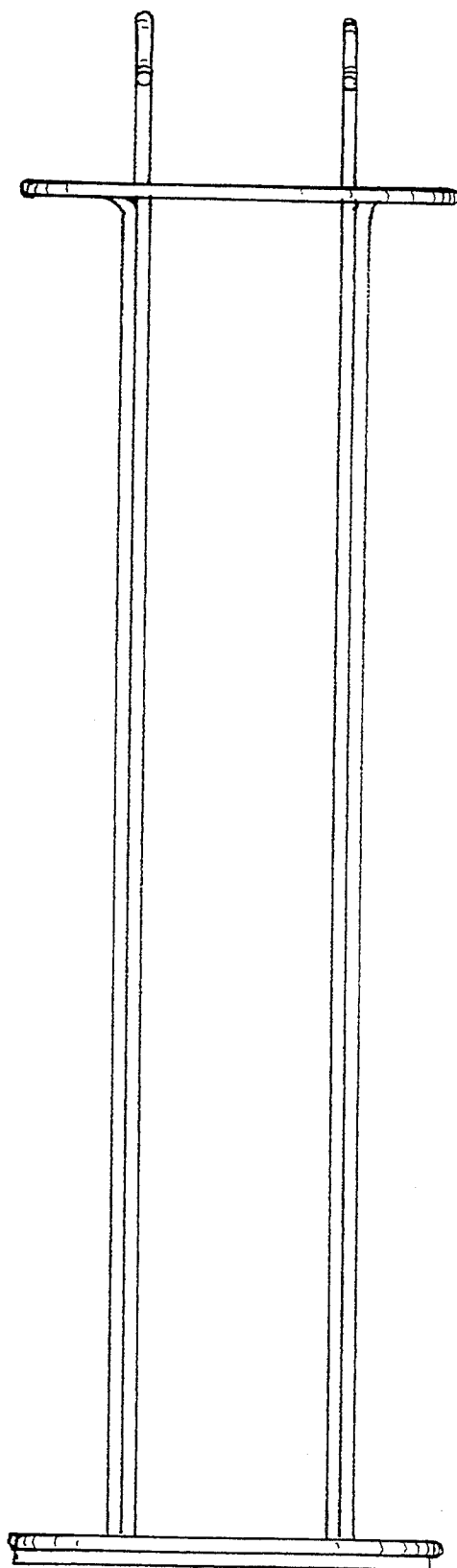


FIG. 5

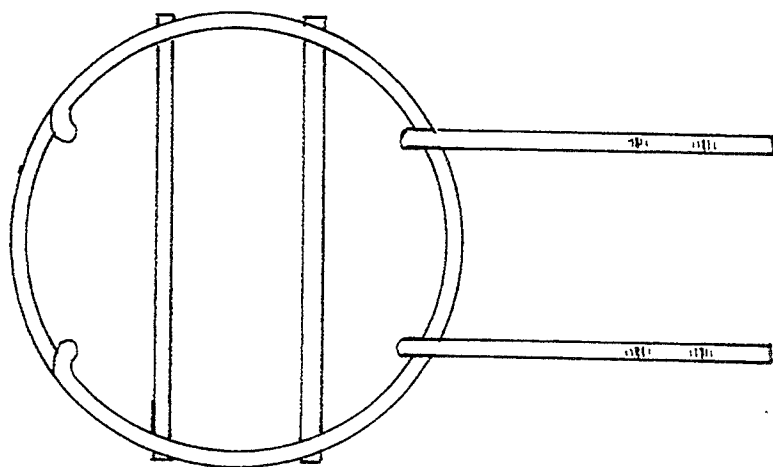


FIG. 6

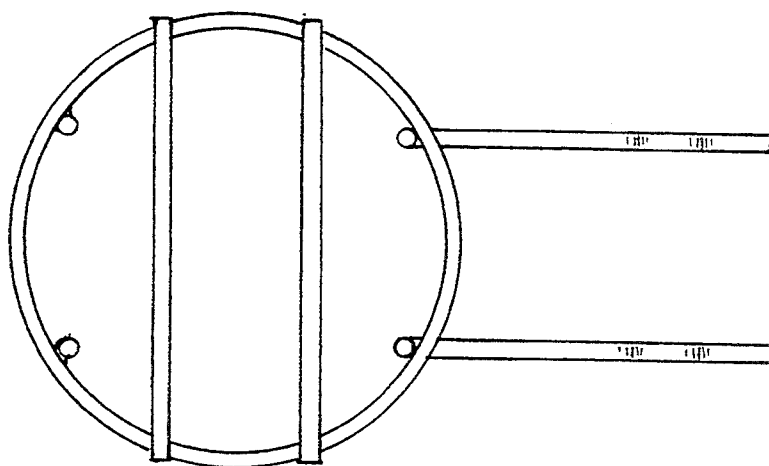


FIG. 7

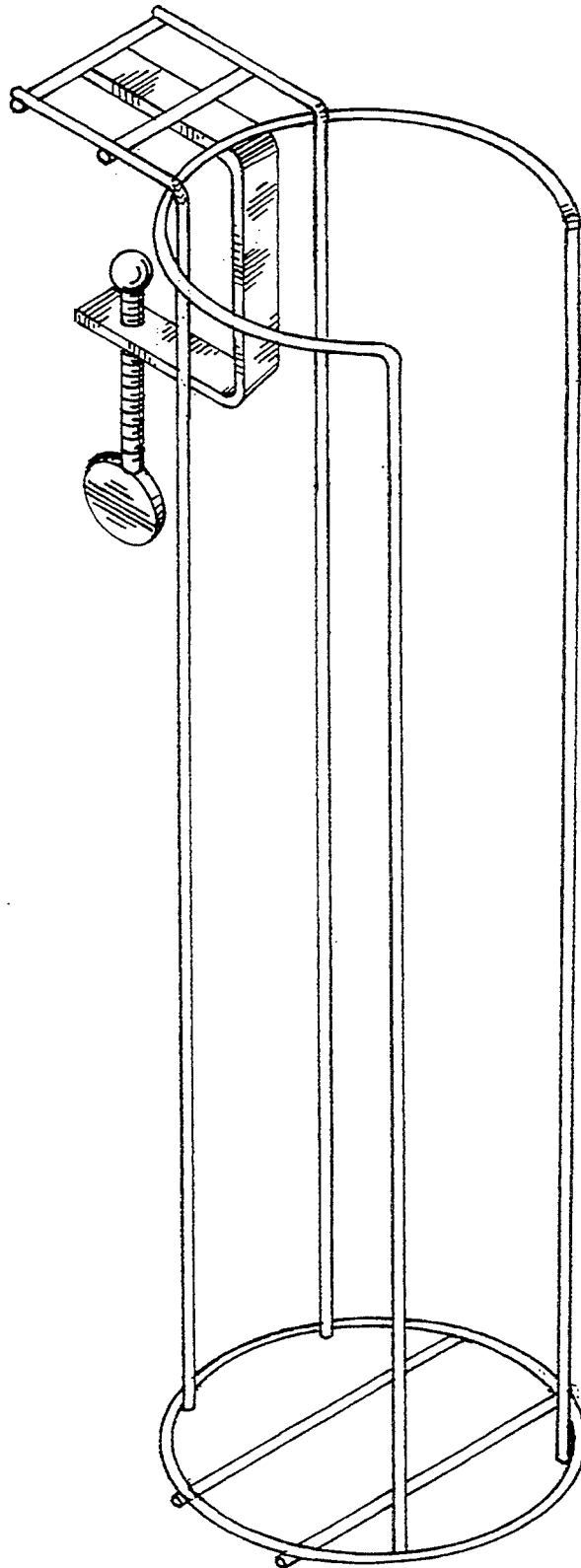


FIG. 8

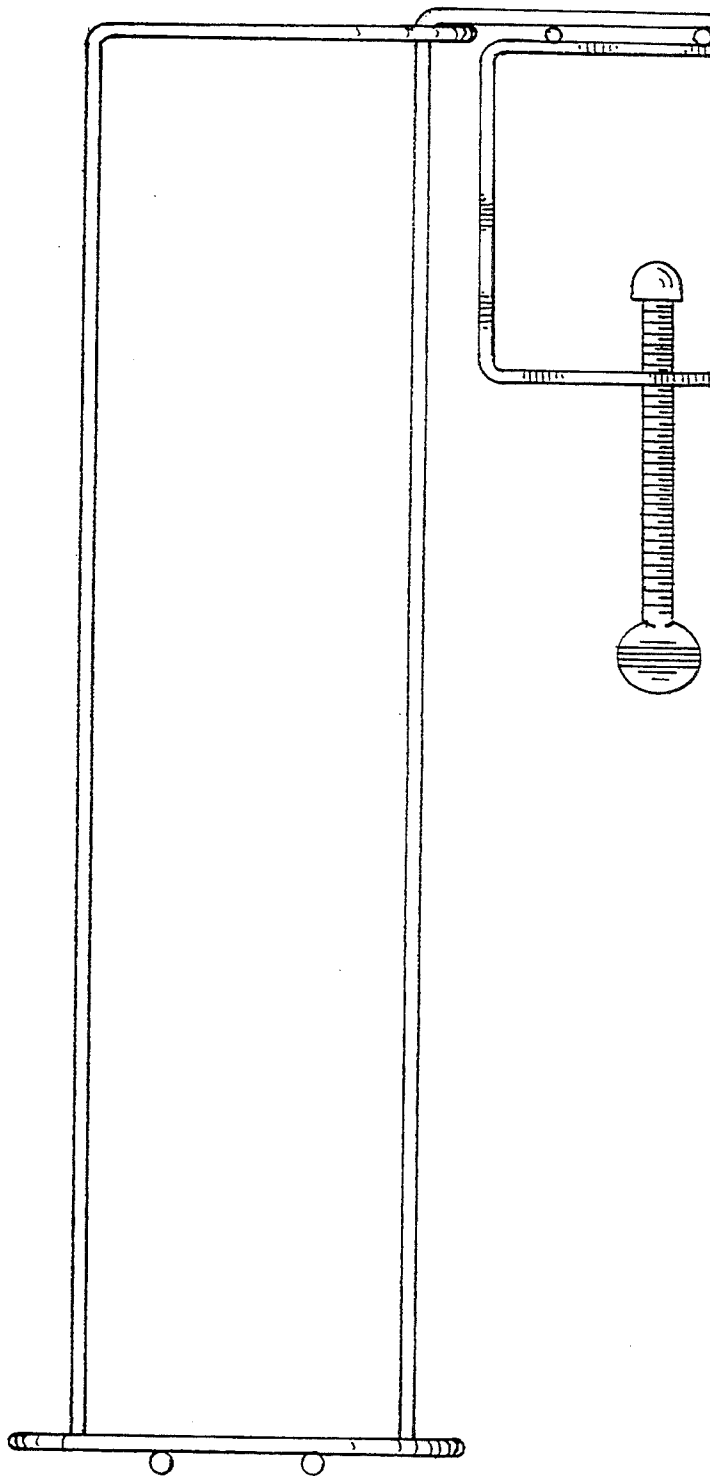


FIG. 9

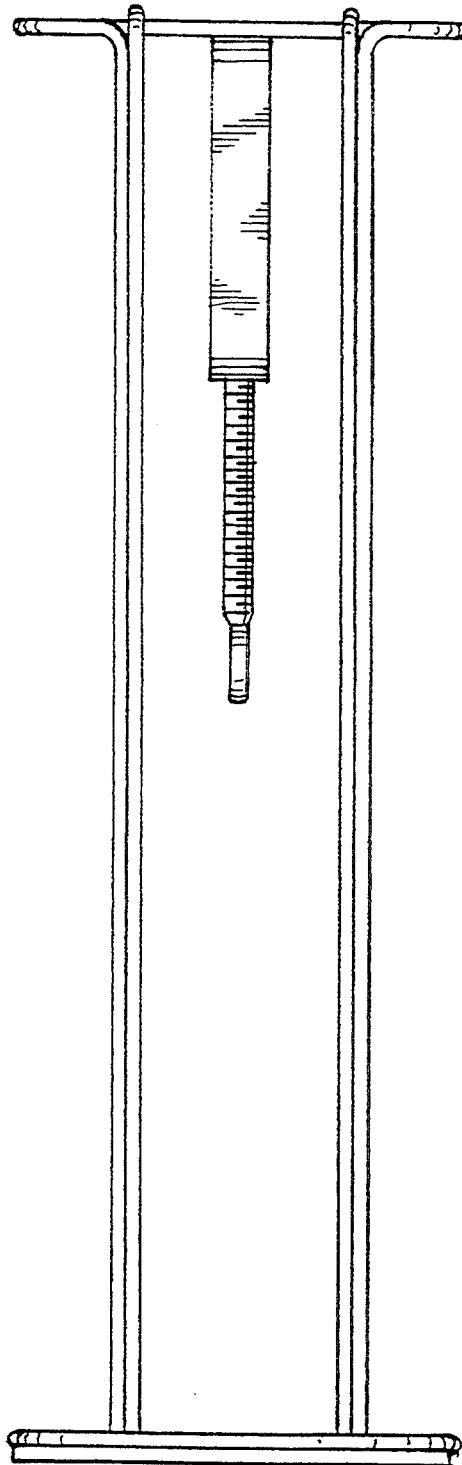


FIG. 10

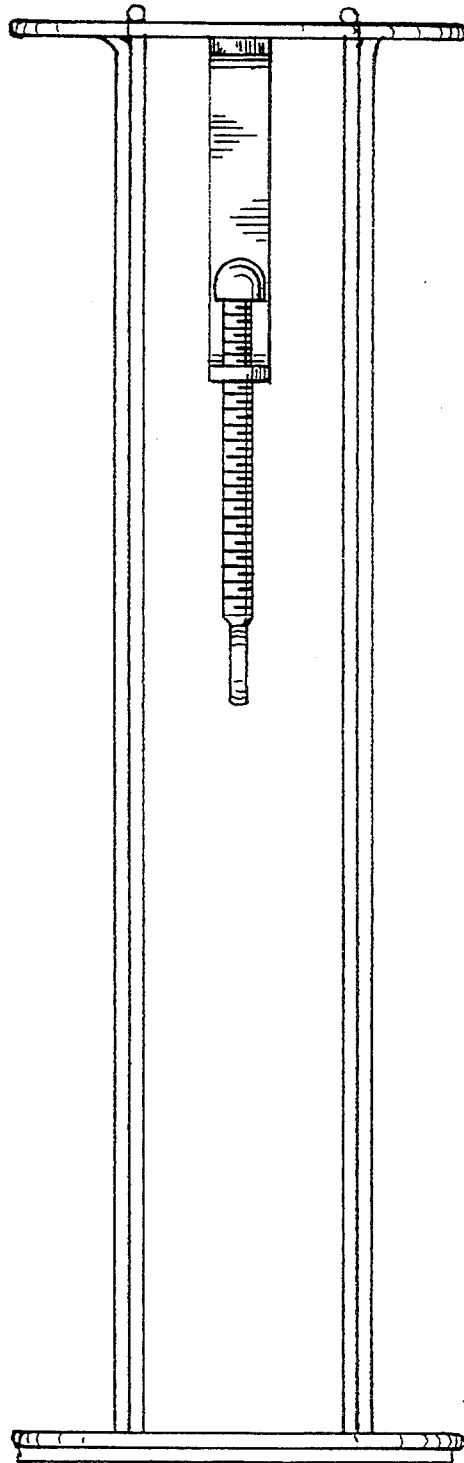


FIG. 11

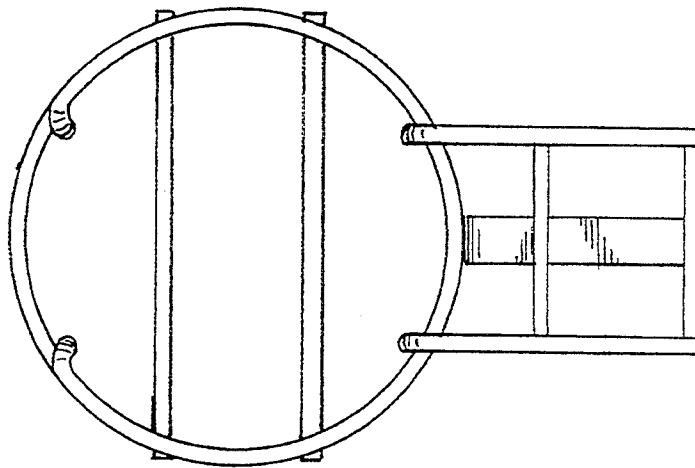


FIG. 12

