

(19) World Intellectual Property Organization
International Bureau



(43) International Publication Date
10 April 2008 (10.04.2008)

PCT

(10) International Publication Number
WO 2008/042482 A3

(51) International Patent Classification:
B29C 65/00 (2006.01) H05K 13/04 (2006.01)
B32B 37/00 (2006.01)

(21) International Application Number:
PCT/US2007/071607

(22) International Filing Date: 19 June 2007 (19.06.2007)

(25) Filing Language: English

(26) Publication Language: English

(30) Priority Data:
60/805,155 19 June 2006 (19.06.2006) US

(71) Applicant (for all designated States except US): **THE REGENTS OF THE UNIVERSITY OF CALIFORNIA** [US/US]; 1111 Franklin Street, 12th Floor, Oakland, CA 94607-5200 (US).

(72) Inventor; and

(75) Inventor/Applicant (for US only): **MAIR, Dieudonne** [US/US]; 805 Transill Circle, Santa Clara, CA 95054 (US).

(74) Agents: **CARON, R'Sue** et al; Lawrence Berkeley National Laboratory, One Cyclotron Road, MS 90B-0104, Berkeley, CA 94720 (US).

(81) Designated States (unless otherwise indicated, for every kind of national protection available): AE, AG, AL, AM, AT, AU, AZ, BA, BB, BG, BH, BR, BW, BY, BZ, CA, CH, CN, CO, CR, CU, CZ, DE, DK, DM, DO, DZ, EC, EE, EG, ES, FT, GB, GD, GE, GH, GM, GT, HN, HR, HU, ID, IL, IN, IS, JP, KE, KG, KM, KN, KP, KR, KZ, LA, LC, LK, LR, LS, LT, LU, LY, MA, MD, ME, MG, MK, MN, MW, MX, MY, MZ, NA, NG, NI, NO, NZ, OM, PG, PH, PL, PT, RO, RS, RU, SC, SD, SE, SG, SK, SL, SM, SV, SY, TJ, TM, TN, TR, TT, TZ, UA, UG, US, UZ, VC, VN, ZA, ZM, ZW

(84) Designated States (unless otherwise indicated, for every kind of regional protection available): ARIPO (BW, GH, GM, KE, LS, MW, MZ, NA, SD, SL, SZ, TZ, UG, ZM, ZW), Eurasian (AM, AZ, BY, KG, KZ, MD, RU, TJ, TM), European (AT, BE, BG, CH, CY, CZ, DE, DK, EE, ES, FI, FR, GB, GR, HU, IE, IS, IT, LT, LU, LV, MC, MT, NL, PL, PT, RO, SE, SI, SK, TR), OAPI (BF, BJ, CF, CG, CI, CM, GA, GN, GQ, GW, ML, MR, NE, SN, TD, TG).

Published:

— with international search report

(88) Date of publication of the international search report:
4 September 2008

(54) Title: **DISPOSABLE, HIGH PRESSURE MICROFLUIDIC CHIPS**

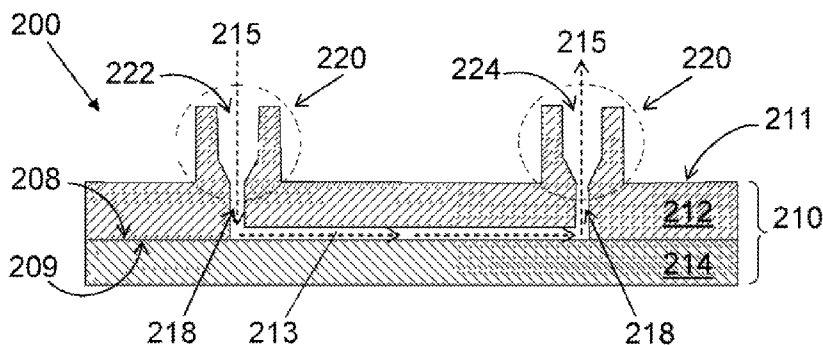


FIG. 2a

(57) Abstract: An injection molding process for the fabrication of disposable unitary plastic microfluidic chips with a cycle time on the order of minutes is described. The microfluidic chips feature novel, integrated, reversible, standardized, ready-to-use interconnects that enable operation at pressures not before realized with microfluidic chips.



WO 2008/042482 A3

INTERNATIONAL SEARCH REPORT

International application No
PCT/US 07/71607

<p>A CLASSIFICATION OF SUBJECT MATTER IPC(8) - B29C 65/00, B32B 37/00, H05K 13/04 (2008 04) USPC - 156/297 According to International Patent Classification (IPC) or to both national classification and IPC</p>																				
<p>B FIELDS SEARCHED Minimum documentation searched (classification system followed by classification symbols) IPC(8) B29C 65/00, B32B 37/00, H05K 13/04 (2008 04) USPC 156/297, 298, 299, 300, 303 1, 304 6, 137/597, 422/100, 919, 977/822, 900 Documentation searched other than minimum documentation to the extent that such documents are included in the fields searched Electronic data base consulted during the international search (name of data base and, where practicable, search terms used) WEST (PGPB.USPT.EPAB.JPAB) microfluidic, COC, polymer, groove, interconnect, injection molding, mold insert, screw, thread, packing particle, chip, esp@cenet disposable, microfluidic, Google Scholar polymer, coc, microfluidic, chip Google Web microfluidic, thermal fusion, solvent bonding</p>																				
<p>C DOCUMENTS CONSIDERED TO BE RELEVANT</p> <table border="1"> <thead> <tr> <th>Category*</th> <th>Citation of document, with indication, where appropriate, of the relevant passages</th> <th>Relevant to claim No</th> </tr> </thead> <tbody> <tr> <td>X ----</td> <td>US 7,060,227 B2 (STAATS) 13 June 2006 (13 06 2006), abstract, col 1, ln 16-18, col 3, ln 1-20, col 3, ln 17-28, col 3, ln 24-30, col 4, ln 3-5, col 5, ln 48 - col 6, ln 13, col 6, ln 13-20, col 8, ln 32-35, col 9, ln 17-22, col 9, ln 50 - col 10, ln 67, col 11, ln 55-61, col 12, ln 41-42, Fig 1, Fig 12, Fig 13</td> <td>1 and 2 ----- 3-9</td> </tr> <tr> <td>Y</td> <td>US 2005/0255003 A1 (SUMMERSGILL et al) 17 November 2005 (17 11 2005), para [0030], [0074]</td> <td>3</td> </tr> <tr> <td>Y</td> <td>US 2005/0151371 A1 (SIMMONS et al) 14 July 2005 (14 07 2005), para [0019]</td> <td>4 and 6-9</td> </tr> <tr> <td>Y</td> <td>US 2002/0108860 A1 (STAATS) 15 August 2002 (15 08 2002), para [0017], [0043]</td> <td>6-9</td> </tr> <tr> <td>Y</td> <td>US 2003/0089605 A1 (TIMPERMAN) 15 May 2003 (15 05 2003), abstract, para [0122]</td> <td>5</td> </tr> </tbody> </table>			Category*	Citation of document, with indication, where appropriate, of the relevant passages	Relevant to claim No	X ----	US 7,060,227 B2 (STAATS) 13 June 2006 (13 06 2006), abstract, col 1, ln 16-18, col 3, ln 1-20, col 3, ln 17-28, col 3, ln 24-30, col 4, ln 3-5, col 5, ln 48 - col 6, ln 13, col 6, ln 13-20, col 8, ln 32-35, col 9, ln 17-22, col 9, ln 50 - col 10, ln 67, col 11, ln 55-61, col 12, ln 41-42, Fig 1, Fig 12, Fig 13	1 and 2 ----- 3-9	Y	US 2005/0255003 A1 (SUMMERSGILL et al) 17 November 2005 (17 11 2005), para [0030], [0074]	3	Y	US 2005/0151371 A1 (SIMMONS et al) 14 July 2005 (14 07 2005), para [0019]	4 and 6-9	Y	US 2002/0108860 A1 (STAATS) 15 August 2002 (15 08 2002), para [0017], [0043]	6-9	Y	US 2003/0089605 A1 (TIMPERMAN) 15 May 2003 (15 05 2003), abstract, para [0122]	5
Category*	Citation of document, with indication, where appropriate, of the relevant passages	Relevant to claim No																		
X ----	US 7,060,227 B2 (STAATS) 13 June 2006 (13 06 2006), abstract, col 1, ln 16-18, col 3, ln 1-20, col 3, ln 17-28, col 3, ln 24-30, col 4, ln 3-5, col 5, ln 48 - col 6, ln 13, col 6, ln 13-20, col 8, ln 32-35, col 9, ln 17-22, col 9, ln 50 - col 10, ln 67, col 11, ln 55-61, col 12, ln 41-42, Fig 1, Fig 12, Fig 13	1 and 2 ----- 3-9																		
Y	US 2005/0255003 A1 (SUMMERSGILL et al) 17 November 2005 (17 11 2005), para [0030], [0074]	3																		
Y	US 2005/0151371 A1 (SIMMONS et al) 14 July 2005 (14 07 2005), para [0019]	4 and 6-9																		
Y	US 2002/0108860 A1 (STAATS) 15 August 2002 (15 08 2002), para [0017], [0043]	6-9																		
Y	US 2003/0089605 A1 (TIMPERMAN) 15 May 2003 (15 05 2003), abstract, para [0122]	5																		
<p><input type="checkbox"/> Further documents are listed in the continuation of Box C D</p> <table border="1"> <tr> <td> <p>• Special categories of cited documents</p> <p>"A" document defining the general state of the art which is not considered to be of particular relevance</p> <p>"E" earlier application or patent but published on or after the international filing date</p> <p>"L" document which may throw doubts on priority claim(s) or which is cited to establish the publication date of another citation or other special reason (as specified)</p> <p>"O" document referring to an oral disclosure, use, exhibition or other means</p> <p>"P" document published prior to the international filing date but later than the priority date claimed</p> </td> <td> <p>"T" later document published after the international filing date or priority date and not in conflict with the application but cited to understand the principle or theory underlying the invention</p> <p>"X" document of particular relevance, the claimed invention cannot be considered novel or cannot be considered to involve an inventive step when the document is taken alone</p> <p>"Y" document of particular relevance, the claimed invention cannot be considered to involve an inventive step when the document is combined with one or more other such documents, such combination being obvious to a person skilled in the art</p> <p>"&" document member of the same patent family</p> </td> </tr> </table>			<p>• Special categories of cited documents</p> <p>"A" document defining the general state of the art which is not considered to be of particular relevance</p> <p>"E" earlier application or patent but published on or after the international filing date</p> <p>"L" document which may throw doubts on priority claim(s) or which is cited to establish the publication date of another citation or other special reason (as specified)</p> <p>"O" document referring to an oral disclosure, use, exhibition or other means</p> <p>"P" document published prior to the international filing date but later than the priority date claimed</p>	<p>"T" later document published after the international filing date or priority date and not in conflict with the application but cited to understand the principle or theory underlying the invention</p> <p>"X" document of particular relevance, the claimed invention cannot be considered novel or cannot be considered to involve an inventive step when the document is taken alone</p> <p>"Y" document of particular relevance, the claimed invention cannot be considered to involve an inventive step when the document is combined with one or more other such documents, such combination being obvious to a person skilled in the art</p> <p>"&" document member of the same patent family</p>																
<p>• Special categories of cited documents</p> <p>"A" document defining the general state of the art which is not considered to be of particular relevance</p> <p>"E" earlier application or patent but published on or after the international filing date</p> <p>"L" document which may throw doubts on priority claim(s) or which is cited to establish the publication date of another citation or other special reason (as specified)</p> <p>"O" document referring to an oral disclosure, use, exhibition or other means</p> <p>"P" document published prior to the international filing date but later than the priority date claimed</p>	<p>"T" later document published after the international filing date or priority date and not in conflict with the application but cited to understand the principle or theory underlying the invention</p> <p>"X" document of particular relevance, the claimed invention cannot be considered novel or cannot be considered to involve an inventive step when the document is taken alone</p> <p>"Y" document of particular relevance, the claimed invention cannot be considered to involve an inventive step when the document is combined with one or more other such documents, such combination being obvious to a person skilled in the art</p> <p>"&" document member of the same patent family</p>																			
<p>Date of the actual completion of the international search 14 May 2008 (14 05 2008)</p>		<p>Date of mailing of the international search report 03 JUN 2008</p>																		
<p>Name and mailing address of the ISA/US Mail Stop PCT, Attn ISA/US, Commissioner for Patents P O Box 1450, Alexandria, Virginia 22313-1450 Facsimile No 571-273-3201</p>		<p>Authorized officer Lee W Young PCT Hq/ISA 571-272-4300 PCTOSP 571 272 7774</p>																		