



US00D779937S

(12) **United States Design Patent**  
**Lane et al.**

(10) **Patent No.:** **US D779,937 S**  
(45) **Date of Patent:** **\*\* Feb. 28, 2017**

- (54) **LID**
- (71) Applicant: **THERMOS L.L.C.**, Schaumburg, IL (US)
- (72) Inventors: **Marvin Lane**, Wheeling, IL (US);  
**Dwayne Boroski**, Lake in the Hills, IL (US)
- (73) Assignee: **THERMOS L.L.C.**, Schaumburg, IL (US)
- (\*\*) Term: **15 Years**

D246,600 S *	12/1977	Kurata .....	D24/224
5,881,868 A *	3/1999	Soyak .....	A24F 15/00 206/213.1
D425,618 S *	5/2000	Niermann .....	D24/122
D573,017 S *	7/2008	Henderson .....	D9/436
D574,507 S *	8/2008	Muir .....	D24/224
D596,440 S *	7/2009	Rothberg .....	D7/300.2
D596,944 S *	7/2009	Mueller .....	D9/516
8,172,454 B2 *	5/2012	Choi .....	A47J 43/0716 366/147
D668,116 S *	10/2012	Eyal .....	D7/510
D715,143 S *	10/2014	Hewitt .....	D9/436

(Continued)

- (21) Appl. No.: **29/536,881**
- (22) Filed: **Aug. 20, 2015**

**Related U.S. Application Data**

- (63) Continuation of application No. 29/499,405, filed on Aug. 14, 2014.
- (51) **LOC (10) Cl.** ..... **09-07**
- (52) **U.S. Cl.**  
USPC ..... **D9/436**
- (58) **Field of Classification Search**  
USPC ..... D9/435, 436, 440, 443, 445, 446, 447,  
D9/448, 450, 452, 453, 454, 499; D7/392,  
D7/392.1, 396.2  
CPC ..... B65D 58/32; B65D 47/243; B65D 83/28;  
B65D 43/0212; B65D 55/024; B65D  
47/0809; B65D 2251/105  
See application file for complete search history.

**References Cited**

**U.S. PATENT DOCUMENTS**

- 982,597 A \* 1/1911 Habig ..... B05B 15/062  
15/144.1
- 2,187,558 A \* 1/1940 Kushima ..... A47G 19/2288  
215/12.1
- 2,746,265 A \* 5/1956 Mills ..... B65D 51/24  
62/293
- D213,292 S \* 2/1969 Arsenault et al. .... D24/121

**OTHER PUBLICATIONS**

Thermos Connected Hydration Water Bottle with Smart Lid. www.Target.com. 5 pages. Found online May 16, 2016 at <http://www.target.com/p/thermos-connected-hydration-bottle-with-smart-lid-teal/-/A-24010647>.\*

(Continued)

*Primary Examiner* — Robert M Spear  
(74) *Attorney, Agent, or Firm* — Polsinelli PC

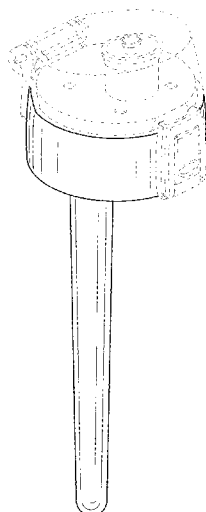
(57) **CLAIM**

The ornamental design for a lid, as shown and described.

**DESCRIPTION**

FIG. 1 is a perspective view of the lid;  
FIG. 2 is a right side view of the lid;  
FIG. 3 is a front view of the lid;  
FIG. 4 is a left side view of the lid;  
FIG. 5 is a rear view of the lid;  
FIG. 6 is a top view of the lid; and,  
FIG. 7 is a bottom view of the lid.  
The broken lines showing in the figures are included for the purpose of illustrating portions of the lid that form no part of the claimed design.

**1 Claim, 4 Drawing Sheets**



(56)

**References Cited**

U.S. PATENT DOCUMENTS

D731,240 S *	6/2015	Bell .....	D7/300.2
D758,790 S *	6/2016	Boroski .....	D7/392.1
2004/0123620 A1 *	7/2004	Porter .....	F25D 31/007 62/457.3

OTHER PUBLICATIONS

Thermos Connected Hydration Water Bottle. Found online May 16, 2016 at <http://www.target.com/p/thermos-connected-hydration-bottle-with-smart-lid-teal/-/A-24010647>.\*

\* cited by examiner

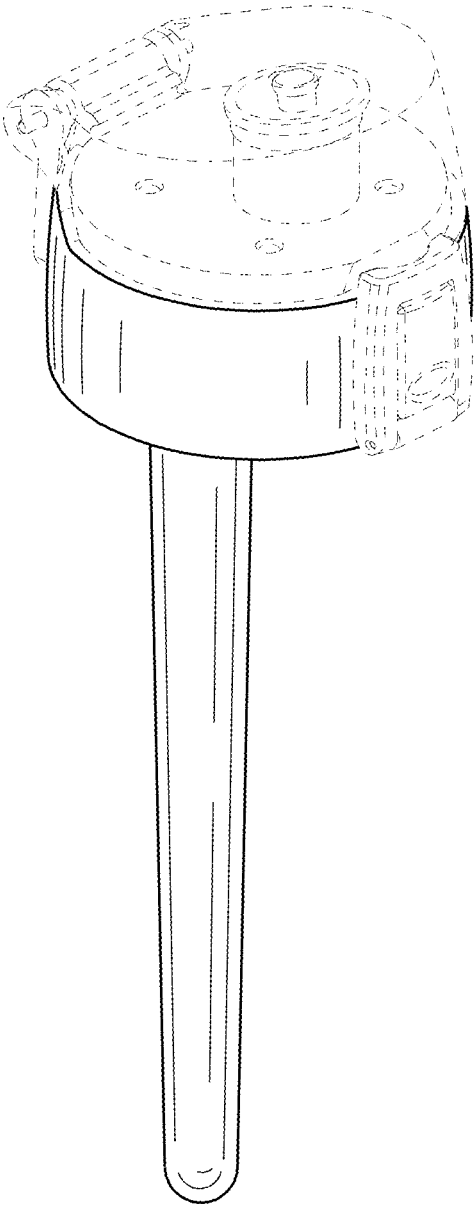
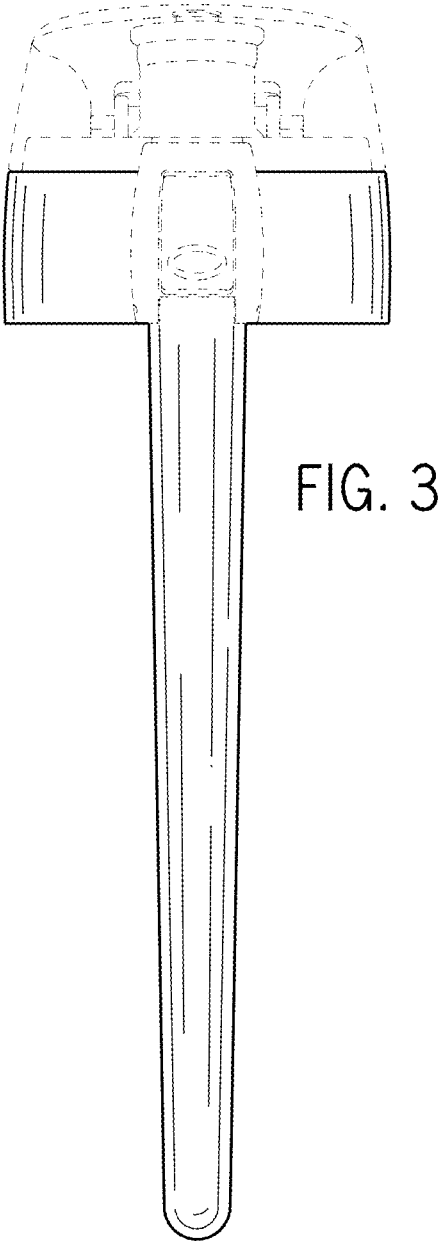
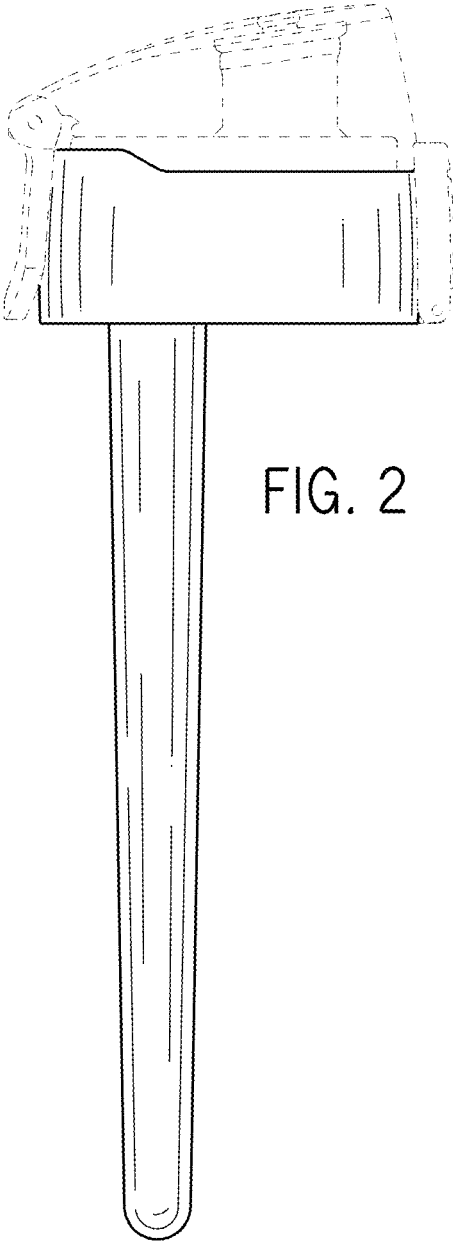
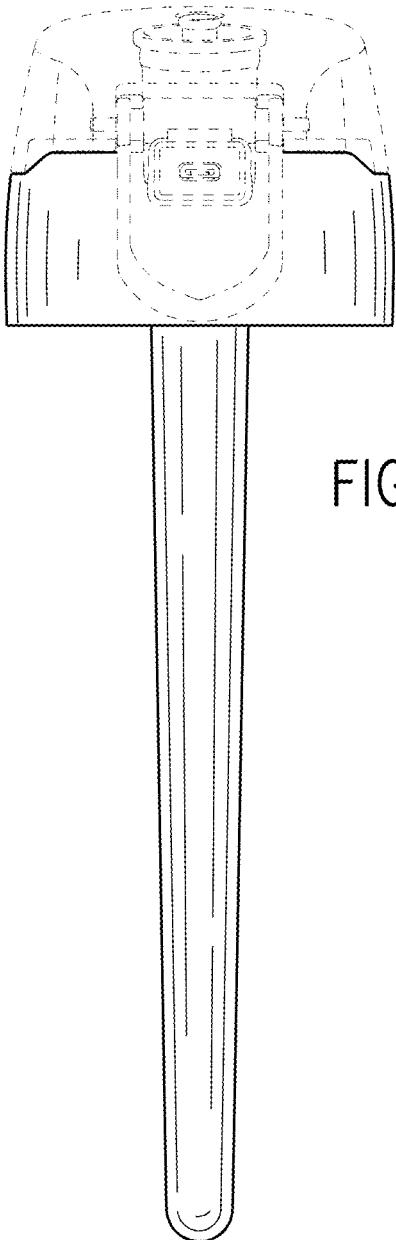
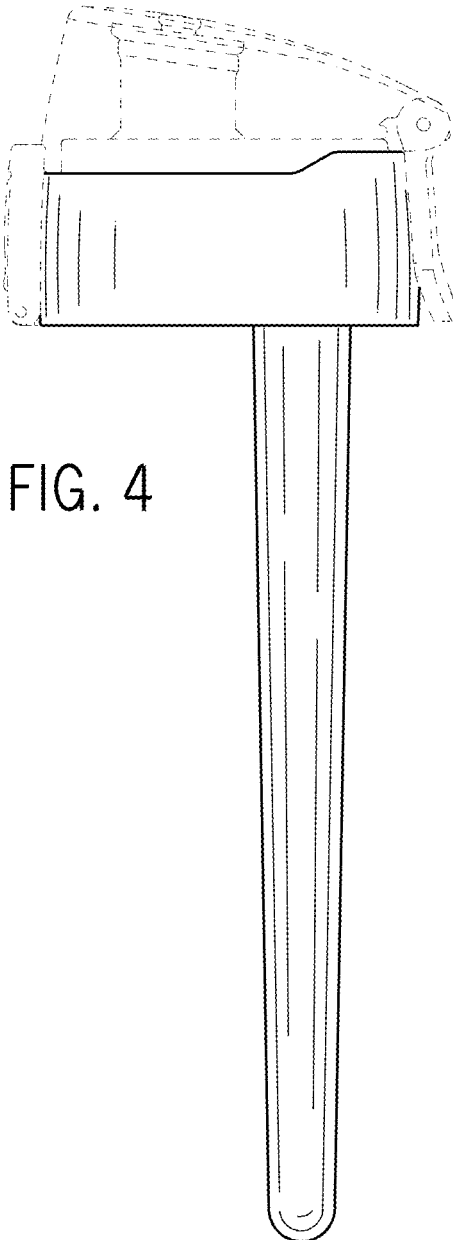


FIG. 1





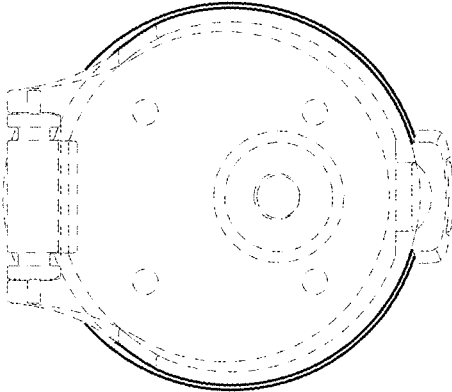


FIG. 6

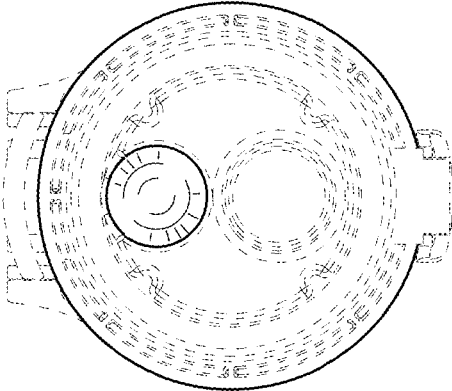


FIG. 7